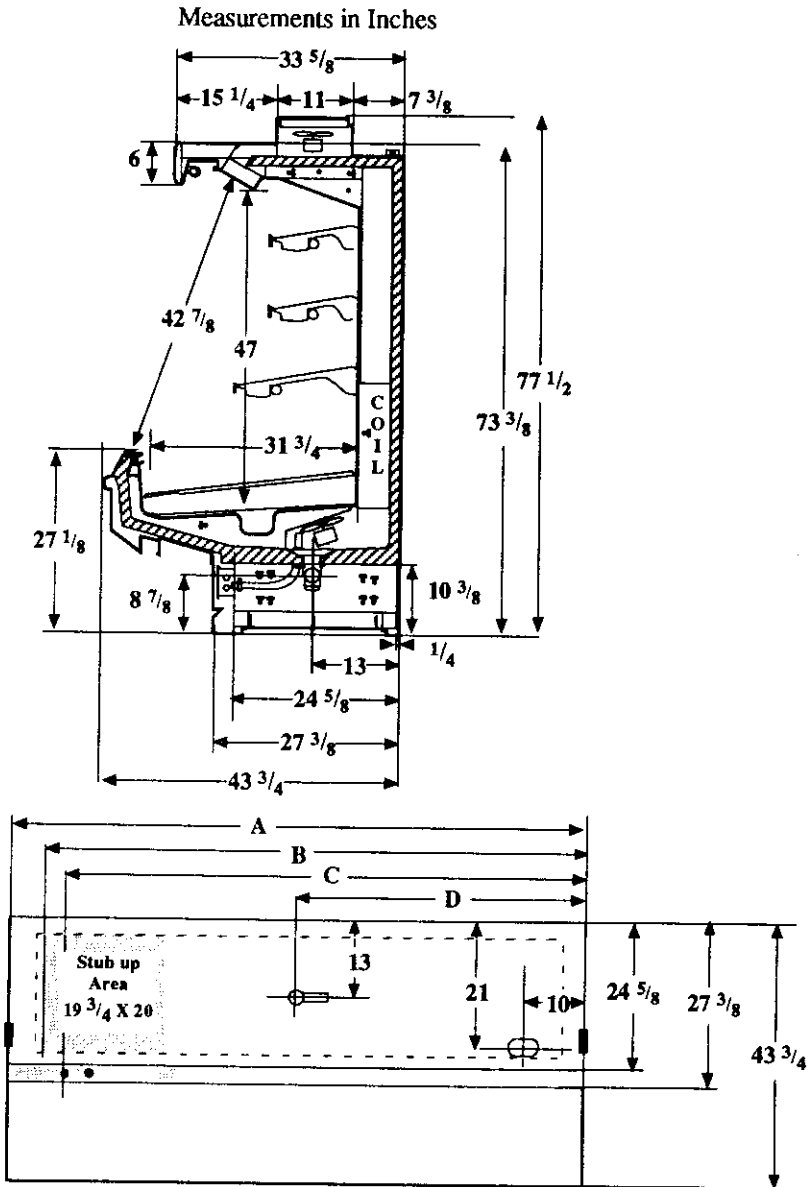


Vision NM4
Delicatessen



| | Dimension | 8' Case | 12' Case |
|----------------------|-----------|---------|----------|
| Electrical Service | A | 96 3/8 | 144 1/2 |
| Waste Outlet | B | 90 3/8 | 138 1/2 |
| Refrigeration Outlet | C | 86 3/8 | 134 1/2 |
| Passageway Port | D | 48 1/8 | 72 1/4 |

Refrigeration Data

| | |
|--------------------|------------------|
| Discharge Air °F | 32 |
| Evaporator °F | 20 |
| Unit Sizing °F | 18 |
| <i>BTU/HR/FOOT</i> | |
| Parallel | 1540 |
| Satellite | 1580 |
| Conventional | 1620 |
| Fan Cycling | CI/CO 28/38°F |
| | Gas Defrost only |

Defrost Data

| | |
|--------------------|----|
| Frequency Hrs | 6 |
| <i>ELECTRIC</i> | |
| Temp Term °F | 48 |
| Failsafe Min | 46 |
| <i>REVERSE AIR</i> | |
| Temp Term °F | 48 |
| Failsafe Min | 40 |
| <i>GAS</i> | |
| Duration Min | 14 |
| <i>OFFTIME</i> | |
| Temp Term °F | 48 |
| Failsafe Min | 46 |

Conventional Controls

| | |
|---|-------------|
| Low Pressure Backup Control | |
| CI/CO (PSIG) | |
| R-22 36/26 | R-502 44/34 |
| Indoor Condenser only, Pressure Defrost Termination (PSIG) | |
| R-22 NA | R-502 NA |

Physical Data

| | |
|--------------------|-------|
| Merchandise | |
| Drip Pipe (ins) | 1 1/2 |
| Liquid Line (ins) | 3/8 |
| Suction Line (ins) | 7/8 |

Evaporator Estimated Charge

| Length | R-22 (lbs) | R-502 (lbs) |
|--------|------------|-------------|
| 8 | 11 | 12 |
| 12 | 18 | 18 |

Length Added to Lineup by Ends and Partitions

| | |
|--------------------------------|-------|
| Each End (ins) | 1 1/2 |
| Each Insulated Partition (ins) | 1 1/2 |

| |
|--|
| Vision NM4 Delicatessen |
|--|

Electrical Data

| Merchandiser | 8Ft | 12Ft | | |
|--------------------------------|----------------|-------------|--------------|-------------|
| Number of Fans - Evaporator | 3 | 4 | | |
| - Ambient | 2 | 3 | | |
| | Amperes | | Watts | |
| Merchandiser | 8Ft | 12Ft | 8Ft | 12Ft |
| Fans | | | | |
| Standard Fans | 3.30 | 4.60 | 230 | 320 |
| Energy Efficient Fans | 1.18 | 1.64 | 121 | 168 |
| Reverse Air | 2.13 | 3.04 | 170 | 240 |
| Constant on Anti-sweat Heaters | NA | | | |
| Cycling Anti-sweat Heaters | 1.6 | 2.0 | 192 | 240 |
| Min. Circuit Ampacity | | | | |
| With Standard Fans | 3.50 | 4.80 | | |
| With Energy Efficient Fans | 1.38 | 1.84 | | |
| With Reverse Air | 2.33 | 3.24 | | |
| Max. Over Current Protection | 20 | 20 | | |
| Supplemental Gas Heaters | NA | | | |
| 208V 1Φ Electric Defrost | 5.2 | 7.8 | 1082 | 1622 |
| 120V 1Φ Supplemental Rev. Air | NA | | | |
| Standard Lighting* | | | | |
| 1 Row Canopy | [4.7] | [7.2] | | |
| Advance | 0.73 | 1.19 | 86 | 141 |
| Valmont (GE) | 0.73 | 1.13 | 86 | 134 |
| Magnatec/Universal | 0.73 | 1.17 | 86 | 136 |

*[] = Serial Plate Amperage includes wire harness for 3 rows of lighted shelves.

Revised 12-15-93

HUSSMANN CORPORATION • BRIDGETON, MO 63044