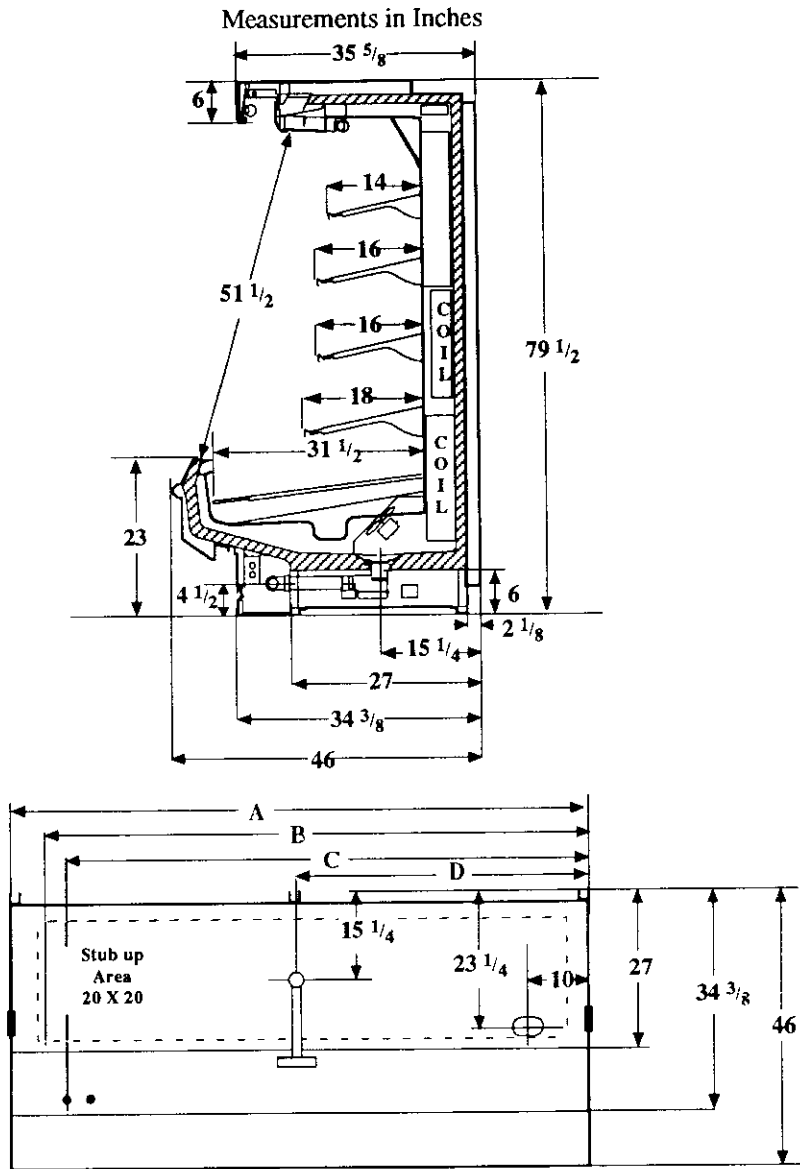


Vision NM5
Meat



Electrical Service	Dimension	8' Case	12' Case
○ Waste Outlet	A	96 3/8	144 1/2
○ Refrigeration Outlet	B	90 3/8	138 1/2
┆ Passageway Port	C	86 3/8	134 1/2
	D	48 1/8	72 1/4

Refrigeration Data

Discharge Air °F	24
Evaporator °F	18
Unit Sizing °F	16
<i>BTU/HR/FOOT</i>	
Parallel	1995
Satellite	2050
Conventional	2100
*Hussmann recommends.	
Fan Cycling	CI/CO 28/38°F
	Gas Defrost only

Defrost Data

Frequency Hrs	6
<i>ELECTRIC</i>	
Temp Term °F	48
Failsafe Min	40
<i>REVERSE AIR</i>	
Temp Term °F	NA
Failsafe Min	NA
<i>GAS</i>	
Duration Min	14
<i>OFFTIME</i>	
Temp Term °F	48
Failsafe Min	40

Conventional Controls

Low Pressure Backup Control	
CI/CO (PSIG)	
R-22 34/24	R-502 42/32
Indoor Condenser only, Pressure Defrost Termination (PSIG)	
R-22 NA	R-502 NA

Physical Data

Merchandiser	
Drip Pipe (ins)	1 1/2
Liquid Line (ins)	3/8
Suction Line (ins)	1 1/8

Evaporator Estimated Charge

Length	R-22 (lbs)	R-502 (lbs)
8	17	18
12	26	27

Length Added to Lineup by Ends and Partitions

Each End (ins)	1 1/2
Each Insulated Partition (ins)	1 1/2

Revised 12-15-93

Vision NM5 Meat

Electrical Data

Merchandise	Amperes		Watts	
	8Ft	12Ft	8Ft	12Ft
Number of Fans - Evaporator	4	5		
Merchandise	8Ft	12Ft	8Ft	12Ft
Energy Efficient Fans Standard	3.32	4.15	165	220
Constant on Anti-sweat Heaters	NA			
Cycling Anti-sweat Heaters	NA			
Min. Circuit Ampacity				
With Energy Efficient Fans	3.52	4.35		
With Reverse Air Fans	NA	NA		
Max. Over Current Protection	20	20		
Supplemental Gas Heaters	NA			
208V 1Φ Electric Defrost	5.2	7.8	1082	1622
120V 1Φ Supplemental Rev. Air	NA			

Standard Lighting*

1 Row Canopy	[6.7]	[10.1]		
1 Row Behind Honeycomb				
Advance	1.50	2.25	180	270
Valmont (GE)	1.60	2.40	176	264

*[] = Serial Plate Amperage includes wire harness for 4 rows of lighted shelves.

Revised 12-15-93