

Refrigeration Data

Discharge Air °F	39
Evaporator °F	24
Unit Sizing °F	22
<i>BTU/HR/FOOT</i>	
Parallel	600
Satellite	Not Applied
Conventional	670

Defrost Data

Frequency Hrs	6
<i>ELECTRIC</i>	
Temp Term °F	NA
Fallsafe Min	
<i>REVERSE AIR</i>	
Temp Term °F	NA
Fallsafe Min	
<i>GAS</i>	
Duration Min	NA
<i>OFFTIME</i>	
Duration Min	40
<i>OFF CYCLE</i>	
CI/CO (PSIG)	83/52
(Must cycle every 6 hours.)	

Conventional Controls

Low Pressure Backup Control	
CI/CO (PSIG)	
R-22	40/30
R-502	49/39

Indoor Condenser only, Pressure Defrost Termination (PSIG)

R-22	70
R-502	82

Physical Data

Merchandiser	
Drip Pipe (ins)	1 1/2
Liquid Line (ins)	3/8
Suction Line (ins)	7/8

Evaporator Estimated Charge

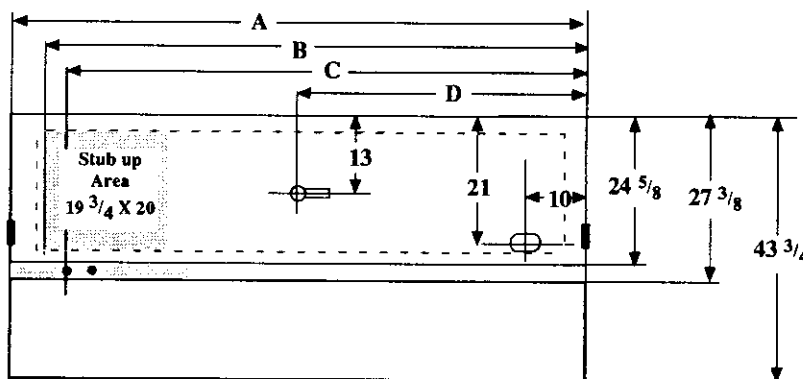
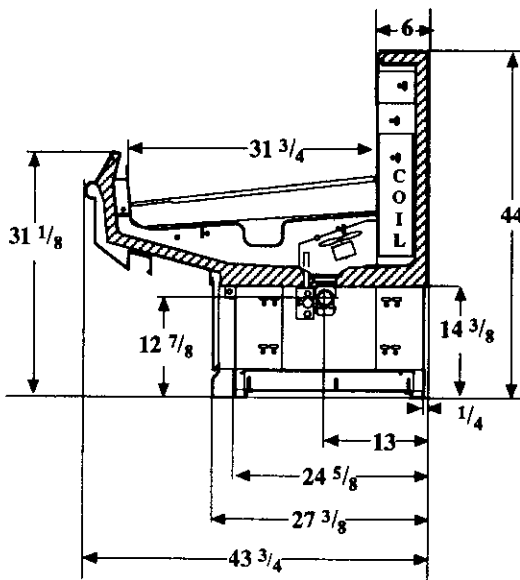
Length	R-22 (lbs)	R-502 (lbs)
8	6	6
12	9	9

Length Added to Lineup by Ends and Partitions

Each End (ins)	1 1/2
----------------	-------

Each Insulated Partition (ins)	1 1/2
--------------------------------	-------

Measurements in Inches



	Electrical Service	Dimension	8' Case	12' Case
	Waste Outlet	A	96 3/8	144 1/2
	Refrigeration Outlet	B	90 3/8	138 1/2
	Passageway Port	C	86 3/8	134 1/2
		D	48 1/8	72 1/4

Vision NP1 Produce

Electrical Data

Merchandise	8Ft	12Ft	Watts	
	1	2	8Ft	12Ft
Number of Fans - Evaporator	1	2		
	Amperes			
Merchandise	8Ft	12Ft	8Ft	12Ft
Fans	0.60	1.20	40	80
Enrg Eff Fans (Reverse Air)	0.20	0.40	20	40
Constant on Anti-sweat Heaters	NA			
Cycling Anti-sweat Heaters	0.8	1.0	96	120
Min. Circuit Ampacity	0.80	1.40		
With Enrg Eff Fans (Reverse Air)	0.40	0.60		
Max. Over Current Protection	20	20		
Supplemental Gas Heaters	NA			
208V 1Φ Electric Defrost	NA			
120V 1Φ Supplemental Rev. Air	NA			

Standard Lighting*

None

Revised 06-15-93