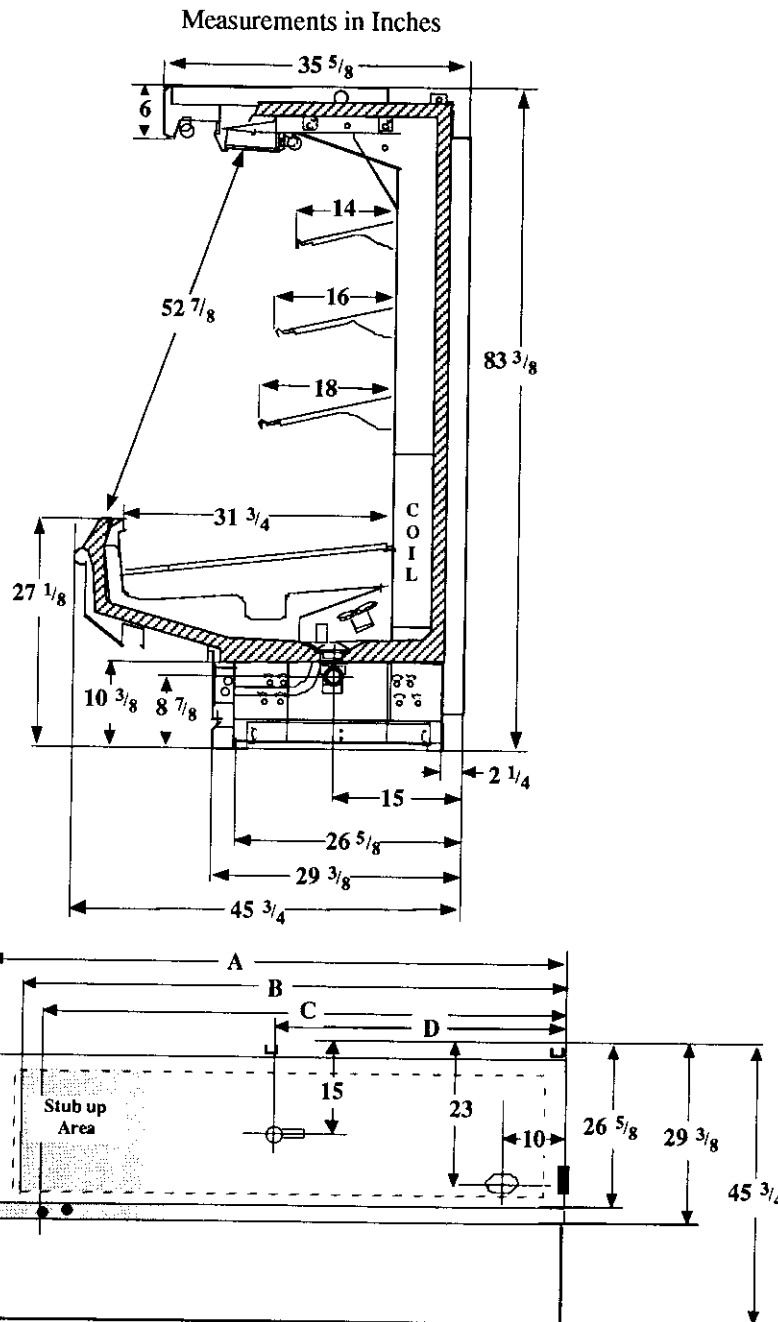


Vision NP4
Produce



	Dimension	8' Case	12' Case
Electrical Service	A	96 3/8	144 1/2
Waste Outlet	B	90 3/8	138 1/2
Refrigeration Outlet	C	86 3/8	134 1/2
Passageway Port	D	48 1/8	72 1/4

Revised 01-05-94

Refrigeration Data

Discharge Air °F	28
Evaporator °F	18
Unit Sizing °F	16
<i>BTU/HR/FOOT</i>	
Parallel	1785
Satellite	Not Applied
Conventional	1900

Defrost Data

Frequency Hrs	6
<i>ELECTRIC</i>	
Temp Term °F	48
Failsafe Min	40
<i>REVERSE AIR</i>	
Temp Term °F	NA
Failsafe Min	
<i>GAS</i>	
Duration Min	NA
<i>OFFTIME</i>	
Duration Min	40

Conventional Controls

Low Pressure Backup Control	
C/CO (PSIG)	
R-22	34/24
R-502	42/32

Indoor Condenser only, Pressure Defrost Termination (PSIG)

R-22	NA
R-502	NA

Physical Data

Merchandiser	
Drip Pipe (ins)	1 1/2
Liquid Line (ins)	3/8
Suction Line (ins)	7/8

Evaporator Estimated Charge

Length	R-22 (lbs)	R-502 (lbs)
8	12	12
12	18	18

Length Added to Lineup by Ends and Partitions

Each End (ins) 1 1/2

Each Insulated Partition (ins) 1 1/2

Vision NP4 Produce

Electrical Data

Merchandise	8Ft		12Ft	
	Amperes		Watts	
Number of Fans - Evaporator	3	4		
Merchandise	8Ft	12Ft	8Ft	12Ft
Fans	2.10	2.80	150	200
Enrg Eff Fans (Reverse Air)	0.78	1.04	81	108
Constant on Anti-sweat Heaters	NA			
Cycling Anti-sweat Heaters	NA			
Min. Circuit Ampacity	2.30	3.00		
With Enrg Eff Fans (Reverse Air)	0.98	1.24		
Max. Over Current Protection	20	20		
Supplemental Gas Heaters	NA			
208V 1Φ Electric Defrost	NA			
120V 1Φ Supplemental Rev. Air	NA			

Standard Lighting*

1 Row Canopy				
1 Row Behind Honeycomb	[5.4]	[8.1]		
Advance	1.50	2.25	180	270
Valmont (GE)	1.60	2.40	176	264

*[] = Serial Plate Amperage includes wire harness for 3 rows of lighted shelves.

Revised 06-15-93