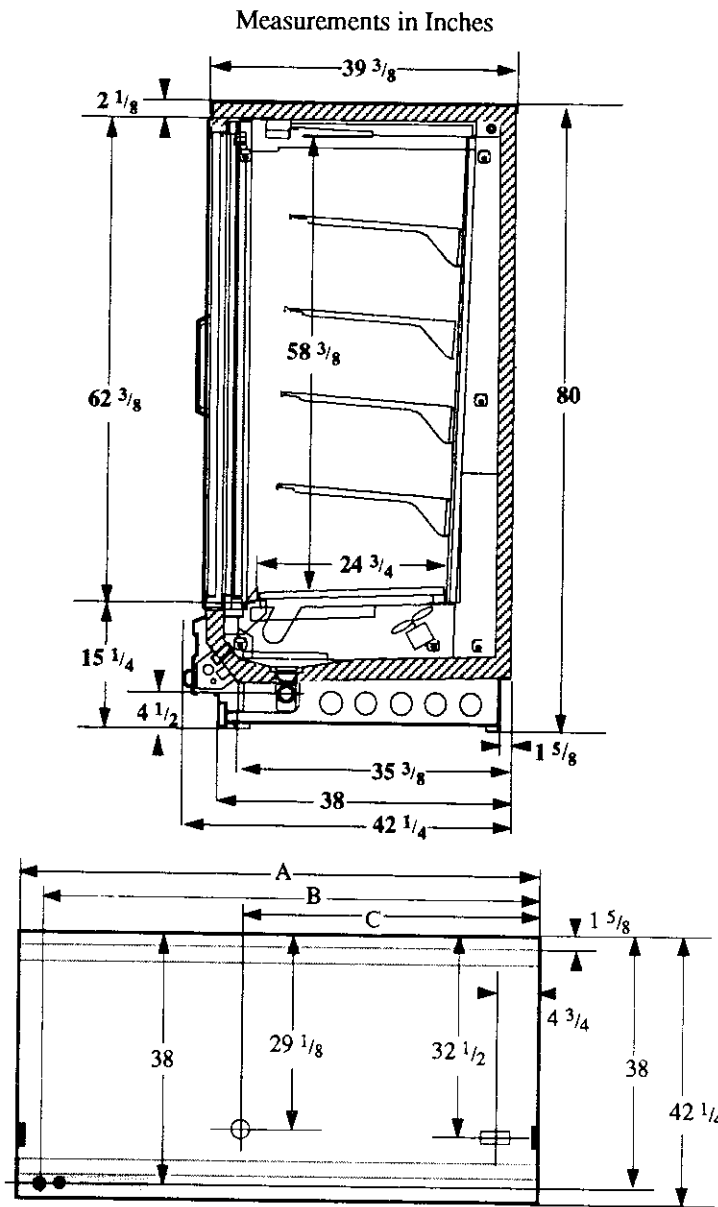


Reach-in 2, 3, 4, or 5 Doors up to 5 display levels, Vertical Lighting

Vision NRCV
Ice Cream



	Dimension	A	B	C
● Electrical Service	2 Door	62	58 3/4	31
○ Waste Outlet	3 Door	92 1/2	89 1/4	46 1/2
□ Refrigeration Outlet	4 Door	122 7/8	119 5/8	61 1/2
┆ Passageway Port	5 Door	153 5/8	150 3/8	76 7/8

Revised 12-15-93

Refrigeration Data

Discharge Air °F	-12
Evaporator °F	-19
Unit Sizing °F	-22
<i>BTU/HR/DOOR</i>	
Parallel	1540
Satellite	1600
Conventional	1775
Fan Cycling ±6°F	
CI	20
CO	35

Defrost Data

Frequency Hrs	24
<i>ELECTRIC</i>	
Temp Term °F	54
Failsafe Min	40
<i>REVERSE AIR</i>	
Temp Term °F	NA
Failsafe Min	NA
<i>GAS</i>	
Duration Min	20
<i>OFFTIME</i>	
Duration Min	NA

Conventional Controls

Low Pressure Backup Control	
CI/CO (PSIG)	
R-22 7/0	R-502 11/1
Indoor Condenser only, Pressure	
Defrost Termination (PSIG)	
R-22 NA	R-502 NA

Physical Data

Merchandiser	
Drip Pipe (in.)	1 1/2
Liquid Line (in.)	3/8
Suction Line (in.)	7/8

Evaporator Estimated Charge		
Length	R-22 (lbs)	R-502 (lbs)
2	8	9
3	12	13
4	17	17
5	21	22

Length Added to Lineup by Ends and Partitions

Each End (in.)	1 1/2
Each Insulated Partition (in.)	1 1/2

Vision NRCV Ice Cream
--

Electrical Data

Merchandiser	2Dr	3Dr	4Dr	5Dr				
Number of Fans - Evaporator	2	3	4	5				
		Amperes				Watts		
Merchandiser	2Dr	3Dr	4Dr	5Dr	2Dr	3Dr	4Dr	5Dr
Enrg Eff Fans (Standard on Ice Cream)	1.66	2.49	3.32	4.15	110	165	220	275
Reverse Air	NA							
Reach-in Door Anti-swt Htrs								
Ardco	NA							
Anthony	3.6	5.3	7.0	8.9	432	636	840	1068
Min. Circuit Ampacity								
Ardco	NA							
Anthony	5.24	7.68	10.16	12.54				
Reverse Air	NA							
Max. Over Current Protection	20	20	20	20				
Supplemental Gas Heaters	5.2	7.2	9.6	12.0	610	885	1160	1430
208V 1Φ Electric Defrost	9.5	14.7	19.8	24.4	1985	3060	4115	5075
120V 1Φ Supplemental Rev. Air	NA							
Standard Lighting								
Lamp in Anthony Door Frame	2.02	2.60	3.32	3.90	136	204	272	340