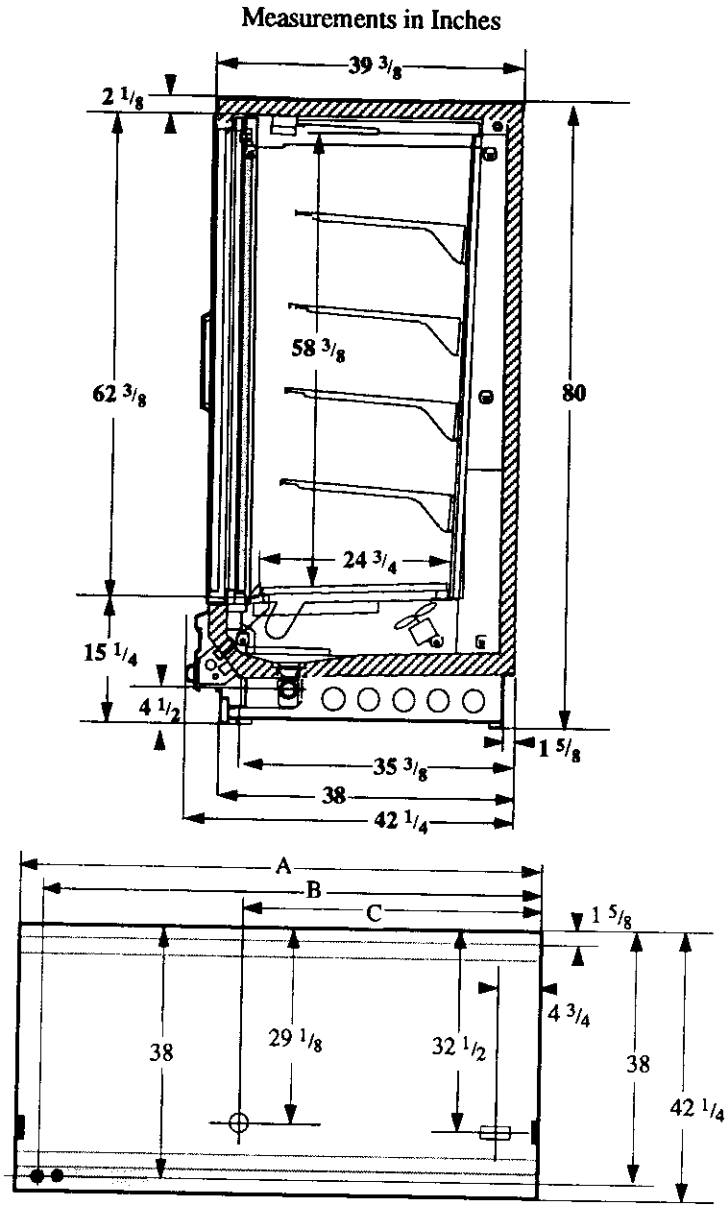


Reach-in 2, 3, 4 and 5 Door Models, Vertical Lighting

Vision NRDV
Dairy



	Dimension	A	B	C
Electrical Service	2 Door	62	58 3/4	31
Waste Outlet	3 Door	92 1/2	89 1/4	46 1/2
Refrigeration Outlet	4 Door	122 7/8	119 5/8	61 1/2
Passageway Port	5 Door	153 5/8	150 3/8	76 7/8

Revised 12-15-93

Refrigeration Data

Discharge Air °F	34
Evaporator °F	27
Unit Sizing °F	25
<i>BTU/HR/DOOR</i>	
Parallel	911
Satellite	Not Applied
Conventional	960

Defrost Data

Frequency Hrs	24
<i>ELECTRIC</i>	
Temp Term °F	NA
Failsafe Min	NA
<i>REVERSE AIR</i>	
Temp Term °F	NA
Failsafe Min	NA
<i>GAS</i>	
Duration Min	12
<i>OFFTIME</i>	
Duration Min	60

Conventional Controls

Low Pressure Backup Control	
CI/CO (PSIG)	
R-22 43/33	R-502 52/42
Indoor Condenser only, Pressure Defrost Termination (PSIG)	
R-22 NA	R-502 NA

Physical Data

Merchandise		
Drip Pipe (in.)		1 1/2
Liquid Line (in.)		3/8
Suction Line (in.)		7/8
Evaporator Estimated Charge		
Length	R-22 (lbs)	R-502 (lbs)
2	8	9
3	12	13
4	17	17
5	21	22

Length Added to Lineup by Ends and Partitions

Each End (in.)	1 1/2
Each Insulated Partition (in.)	1 1/2

Vision NRDV
Dalry

Merchandiser	2Dr	3Dr	4Dr	5Dr				
Number of Fans - Evaporator	2	3	4	5				
		Amperes				Watts		
Merchandiser	2Dr	3Dr	4Dr	5Dr	2Dr	3Dr	4Dr	5Dr
Fans								
Standard Fans	1.40	2.10	2.80	3.50	100	150	200	250
Energy Efficient Fans	0.52	0.78	1.04	1.30	54	81	81	135
Reverse Air	NA							
Reach-in Door Anti-swt Htrs								
Ardco	NA							
Anthony	1.93	2.78	3.65	4.44	232	334	438	533
Min. Circuit Ampacity								
With Standard Fans								
Ardco	NA							
Anthony	3.53	5.08	6.65	8.14				
With Energy Efficient Fans								
Ardco	NA							
Anthony	2.65	3.76	4.89	5.84				
With Reverse Air	NA							
Max. Over Current Protection	20	20	20	20				
Supplemental Gas Heaters	NA							
208V 1Φ Electric Defrost	NA							
120V 1Φ Supplemental Rev. Air	NA							
Standard Lighting								
Lamp in Anthony Door Frame	2.02	2.60	3.32	3.90	136	204	272	340