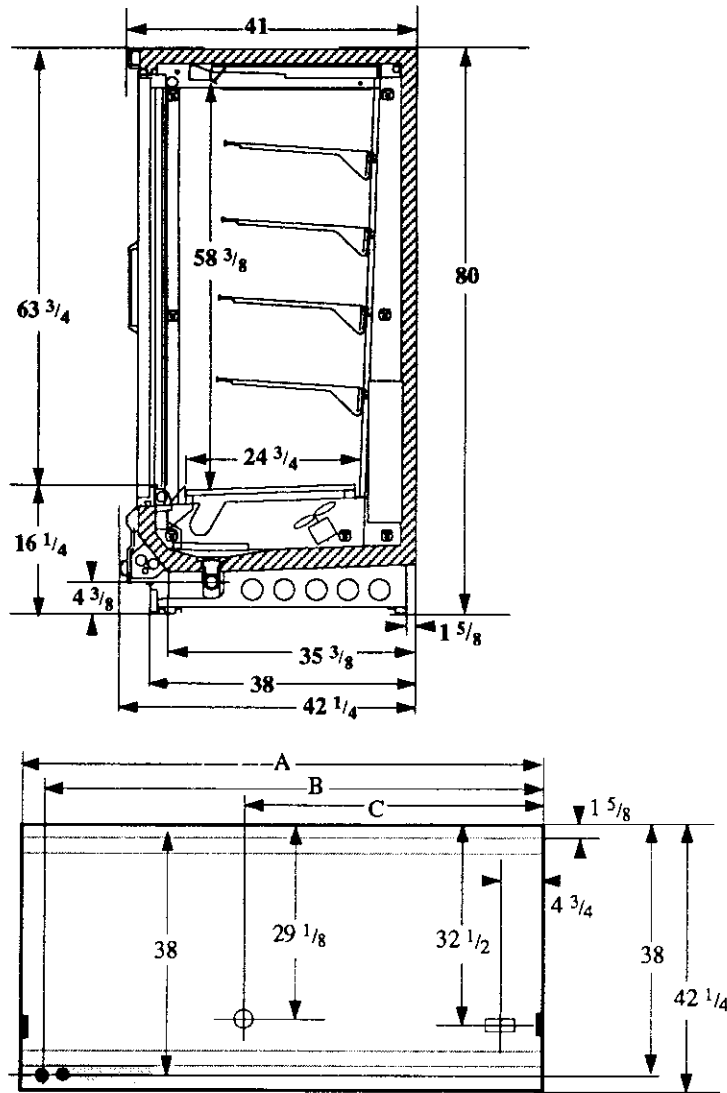


Reach-in 2, 3, 4 and 5 Door Models

**Vision NRD**  
**Delicatessen**

Measurements in Inches



Symbol	Description	Dimension	A	B	C
⊙	Electrical Service	2 Door	62	58 3/4	31
○	Waste Outlet	3 Door	92 1/2	89 1/4	46 1/2
□	Refrigeration Outlet	4 Door	122 7/8	119 5/8	61 1/2
■	Passageway Port	5 Door	153 5/8	150 3/8	76 7/8

Revised 12-15-93

**Refrigeration Data**

Discharge Air °F	30
Evaporator °F	23
Unit Sizing °F	21
<i>BTU/HR/DOOR</i>	
Parallel	1305
Satellite	Not Applied
Conventional	1375

**Defrost Data**

Frequency Hrs	24
<i>ELECTRIC</i>	
Temp Term °F	NA
Failsafe Min	NA
<i>REVERSE AIR</i>	
Temp Term °F	NA
Failsafe Min	NA
<i>GAS</i>	
Duration Min	12
<i>OFFTIME</i>	
Duration Min	60

**Conventional Controls**

<i>Low Pressure Backup Control</i>	
CI/CO (PSIG)	
R-22 39/29	R-502 48/38
<i>Indoor Condenser only, Pressure Defrost Termination (PSIG)</i>	
R-22 NA	R-502 NA

**Physical Data**

<i>Merchandise</i>	
Drip Pipe (in.)	1 1/2
Liquid Line (in.)	3/8
Suction Line (in.)	7/8

**Evaporator Estimated Charge**

Length	R-22 (lbs)	R-502 (lbs)
2	8	9
3	12	13
4	17	17
5	21	22

**Length Added to Lineup by Ends and Partitions**

Each End (in.)	1 1/2
Each Insulated Partition (in.)	1 1/2

<b>Vision NRD</b> <b>Delicatessen</b>
--

<b>Merchandiser</b>	<b>2Dr</b>	<b>3Dr</b>	<b>4Dr</b>	<b>5Dr</b>
Number of Fans - Evaporator	2	3	4	5

<b>Merchandiser</b>	<b>2Dr</b>	<b>Amperes</b>			<b>2Dr</b>	<b>Watts</b>		
		<b>3Dr</b>	<b>4Dr</b>	<b>5Dr</b>		<b>3Dr</b>	<b>4Dr</b>	<b>5Dr</b>
<b>Fans</b>								
Standard Fans	1.40	2.10	2.80	3.50	100	150	200	250
Energy Efficient Fans	0.52	0.78	1.04	1.30	54	81	81	135
Reverse Air	NA							
<b>Reach-in Door Anti-swt Htrs</b>								
Ardco	1.1	1.5	2.0	2.4	132	180	240	288
Anthony	—	2.8	3.7	4.6	—	336	444	552
<b>Min. Circuit Ampacity</b>								
<b>With Standard Fans</b>								
Ardco	2.70	3.80	5.00	6.10				
Anthony	—	5.10	6.70	8.30				
<b>With Energy Efficient Fans</b>								
Ardco	1.82	2.48	3.24	3.90				
Anthony	—	3.78	4.94	6.10				
Reverse Air	NA							
<b>Max. Over Current Protection</b>	20	20	20	20				
<b>Supplemental Gas Heaters</b>	NA							
<b>208V 1Φ Electric Defrost</b>	NA							
<b>120V 1Φ Supplemental Rev. Air</b>	NA							

**Standard Lighting**

1 Row Fluorescent in canopy								
1 Row Fluorescent on ledge								
Advance	1.35	1.35	2.70	2.70	158	158	316	316
Valmont (GE)	1.35	1.35	2.70	2.70	158	158	316	316

Revised 06-15-93

HUSSMANN CORPORATION • BRIDGETON, MO 63044