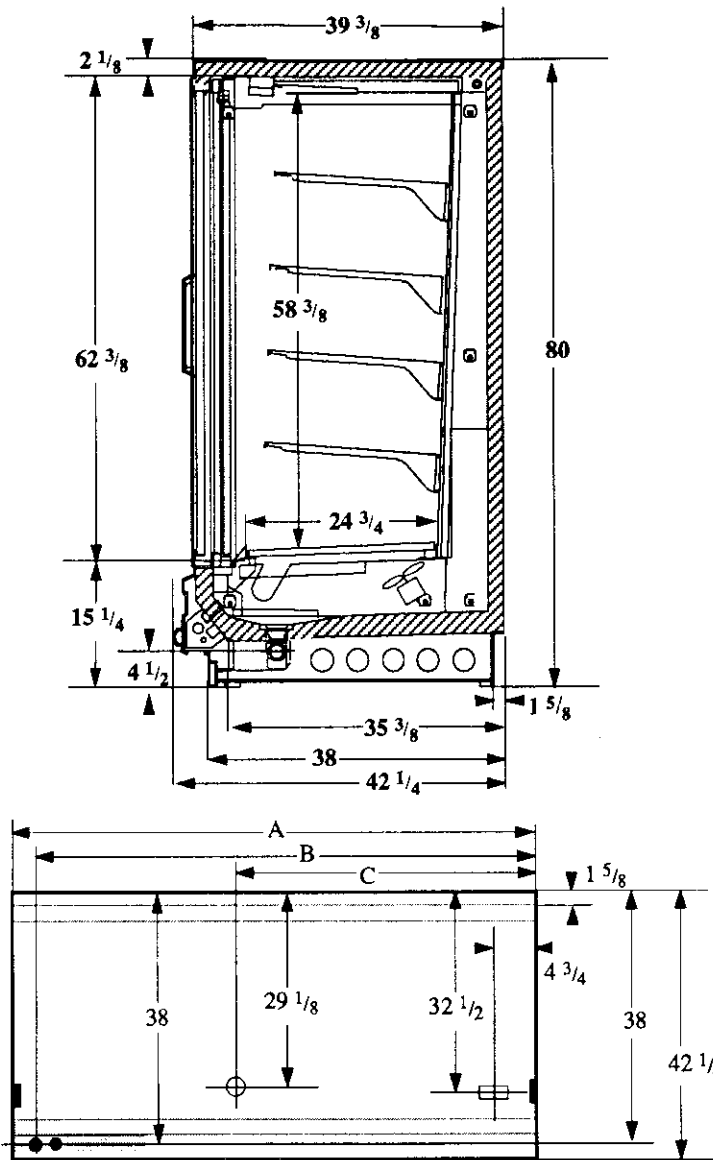


Reach-in 2, 3, 4 and 5 Door Models, Vertical Lighting

**Vision NRFLV**  
Floral

Measurements in Inches



|                      | Dimension | A       | B       | C      |
|----------------------|-----------|---------|---------|--------|
| Electrical Service   |           |         |         |        |
| Waste Outlet         | 2 Door    | 62      | 58 3/4  | 31     |
| Refrigeration Outlet | 3 Door    | 92 1/2  | 89 1/4  | 46 1/2 |
| Passageway Port      | 4 Door    | 122 7/8 | 119 5/8 | 61 1/2 |
|                      | 5 Door    | 153 5/8 | 150 3/8 | 76 7/8 |

Revised 12-15-93

**Refrigeration Data**

|                    |             |
|--------------------|-------------|
| Discharge Air °F   | 34          |
| Evaporator °F      | 27          |
| Unit Sizing °F     | 25          |
| <b>BTU/HR/DOOR</b> |             |
| Parallel           | 1305        |
| Satellite          | Not Applied |
| Conventional       | 1375        |

**Defrost Data**

|                    |    |
|--------------------|----|
| Frequency Hrs      | 24 |
| <b>ELECTRIC</b>    |    |
| Temp Term °F       | NA |
| Fallsafe Min       | NA |
| <b>REVERSE AIR</b> |    |
| Temp Term °F       | NA |
| Fallsafe Min       | NA |
| <b>GAS</b>         |    |
| Duration Min       | 12 |
| <b>OFFTIME</b>     |    |
| Duration Min       | 60 |

**Conventional Controls**

|   |             |  |
|---|-------------|--|
| <b>Low Pressure Backup Control</b>                                |             |  |
| CI/CO (PSIG)  |             |  |
| R-22 39/29  | R-502 48/38 |  |
| <b>Indoor Condenser only, Pressure Defrost Termination (PSIG)</b> |             |  |
| R-22 NA   | R-502 NA    |  |

**Physical Data**

|                     |       |
|---------------------|-------|
| <b>Merchandiser</b> |       |
| Drip Pipe (in.)     | 1 1/2 |
| Liquid Line (in.)   | 3/8   |
| Suction Line (in.)  | 7/8   |

**Evaporator Estimated Charge**

| Length | R-22 (lbs) | R-502 (lbs) |
|--------|------------|-------------|
| 2      | 8          | 9           |
| 3      | 12         | 13          |
| 4      | 17         | 17          |
| 5      | 21         | 22          |

**Length Added to Lineup by Ends and Partitions**

|                                |       |
|--------------------------------|-------|
| Each End (in.)                 | 1 1/2 |
| Each Insulated Partition (in.) | 1 1/2 |

|                     |
|---------------------|
| <b>Vision NRFLV</b> |
| <b>Floral</b>       |

|                               |            |                |            |            |            |              |            |            |
|-------------------------------|------------|----------------|------------|------------|------------|--------------|------------|------------|
| <b>Merchandiser</b>           | <b>2Dr</b> | <b>3Dr</b>     | <b>4Dr</b> | <b>5Dr</b> |            |              |            |            |
| Number of Fans - Evaporator   | 2          | 3              | 4          | 5          |            |              |            |            |
|                               |            | <b>Amperes</b> |            |            |            | <b>Watts</b> |            |            |
| <b>Merchandiser</b>           | <b>2Dr</b> | <b>3Dr</b>     | <b>4Dr</b> | <b>5Dr</b> | <b>2Dr</b> | <b>3Dr</b>   | <b>4Dr</b> | <b>5Dr</b> |
| Fans                          |            |                |            |            |            |              |            |            |
| Standard Fans                 | 1.40       | 2.10           | 2.80       | 3.50       | 100        | 150          | 200        | 250        |
| Energy Efficient Fans         | 0.52       | 0.78           | 1.04       | 1.30       | 54         | 81           | 81         | 135        |
| Reverse Air                   | NA         |                |            |            |            |              |            |            |
| Reach-in Door Anti-swt Htrs   |            |                |            |            |            |              |            |            |
| Ardco                         | NA         |                |            |            |            |              |            |            |
| Anthony                       | 1.93       | 2.78           | 3.65       | 4.44       | 232        | 334          | 438        | 533        |
| Min. Circuit Ampacity         |            |                |            |            |            |              |            |            |
| With Standard Fans            |            |                |            |            |            |              |            |            |
| Ardco                         | NA         |                |            |            |            |              |            |            |
| Anthony                       | 3.53       | 5.08           | 6.65       | 8.14       |            |              |            |            |
| With Energy Efficient Fans    |            |                |            |            |            |              |            |            |
| Ardco                         | NA         |                |            |            |            |              |            |            |
| Anthony                       | 2.65       | 3.76           | 4.89       | 5.84       |            |              |            |            |
| With Reverse Air              | NA         |                |            |            |            |              |            |            |
| Max. Over Current Protection  | 20         | 20             | 20         | 20         |            |              |            |            |
| Supplemental Gas Heaters      | NA         |                |            |            |            |              |            |            |
| 208V 1Φ Electric Defrost      | NA         |                |            |            |            |              |            |            |
| 120V 1Φ Supplemental Rev. Air | NA         |                |            |            |            |              |            |            |
| <b>Standard Lighting</b>      |            |                |            |            |            |              |            |            |
| Lamp in Anthony Door Frame    | 2.02       | 2.60           | 3.32       | 3.90       | 136        | 204          | 272        | 340        |