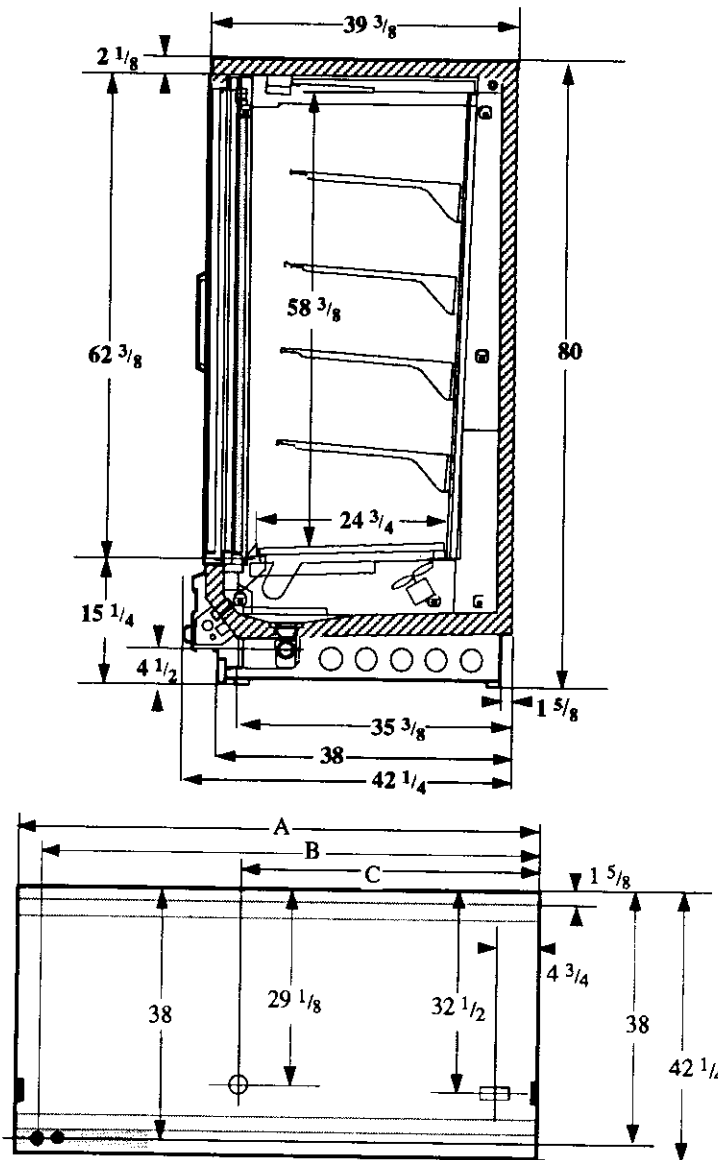


Reach-in 2, 3, 4 and 5 Door Models, Vertical Lighting

Vision NRFV
Frozen Food

Measurements in Inches



	Dimension	A	B	C
Electrical Service	2 Door	62	58 3/4	31
Waste Outlet	3 Door	92 1/2	89 1/4	46 1/2
Refrigeration Outlet	4 Door	122 7/8	119 5/8	61 1/2
Passageway Port	5 Door	153 5/8	150 3/8	76 7/8

Revised 12-15-93

Refrigeration Data

Discharge Air °F	-5
Evaporator °F	-11
Unit Sizing °F	-14
BTU/HR/DOOR	
Parallel	1425
Satellite	1460
Conventional	1625
Fan Cycling ±6°F	
CI	20
CO	35

Defrost Data

Frequency Hrs	24
ELECTRIC	
Temp Term °F	54
Failsafe Min	40
REVERSE AIR	
Temp Term °F	NA
Failsafe Min	NA
GAS	
Duration Min	20
OFFTIME	
Duration Min	NA

Conventional Controls

Low Pressure Backup Control	
CI/CO (PSIG)	
R-22 11/1	R-502 17/7
Indoor Condenser only, Pressure Defrost Termination (PSIG)	
R-22 NA	R-502 NA

Physical Data

Merchandise	
Drip Pipe (in.)	1 1/2
Liquid Line (in.)	3/8
Suction Line (in.)	7/8

Evaporator Estimated Charge

Length	R-22 (lbs)	R-502 (lbs)
2	8	9
3	12	13
4	17	17
5	21	22

Length Added to Lineup by Ends and Partitions

Each End (in.)	1 1/2
Each Insulated Partition (in.)	1 1/2

Vision NRFV Frozen Food
--

Electrical Data

Merchandiser	2Dr	3Dr	4Dr	5Dr				
Number of Fans - Evaporator	2	3	4	5				
		Amperes				Watts		
Merchandiser	2Dr	3Dr	4Dr	5Dr	2Dr	3Dr	4Dr	5Dr
Fans								
Standard Fans	1.40	2.10	2.80	3.50	100	150	200	250
Energy Efficient Fans	0.52	0.78	1.04	1.30	54	81	81	135
Reverse Air	NA							
Reach-in Door Anti-swt Htrs								
Ardco	NA							
Anthony	3.38	4.99	6.64	8.19	406	599	797	983
Min. Circuit Ampacity								
With Standard Fans								
Ardco	NA							
Anthony	4.98	7.29	9.64	11.89				
With Energy Efficient Fans								
Ardco	NA							
Anthony	4.10	5.97	7.88	9.69				
With Reverse Air	NA							
Max. Over Current Protection	20	20	20	20				
Supplemental Gas Heaters	5.2	7.2	9.6	12.0	624	864	1152	1440
208V Electric Defrost	9.5	14.7	19.8	24.4	1976	3058	4118	5075
Supplemental Rev. Air	NA							
Standard Lighting								
Lamp in Anthony Door Frame	2.02	2.60	3.32	3.90	136	204	272	340