

VuMor, Blower Coil, 3 Display Levels (including Mezzanine Shelves),
Rear Sliding Doors, 29 inch Front Glass

Vision NVBC
Delicatessen

Refrigeration Data

Discharge Temp °F	34
Evaporator °F	20
Unit Sizing °F	18
<i>BTU/HR/FOOT</i>	
Parallel	250
Satellite	260
Conventional	265
Both EPR and Thermostat Required	

Defrost Data

Frequency Hrs	24
<i>ELECTRIC</i>	
Temp Term °F	NA
Failsafe Min	NA
<i>REVERSE AIR</i>	
Temp Term °F	NA
Failsafe Min	NA
<i>GAS</i>	
Duration Min	NA
<i>OFFTIME</i>	
Duration Min	60

Conventional Controls

Low Pressure Backup Control	
CI/CO (PSIG)	
R-22 36/26	R-502 44/34
Indoor Condenser only, Pressure	
Defrost Termination (PSIG)	
R-22 76	R-502 89

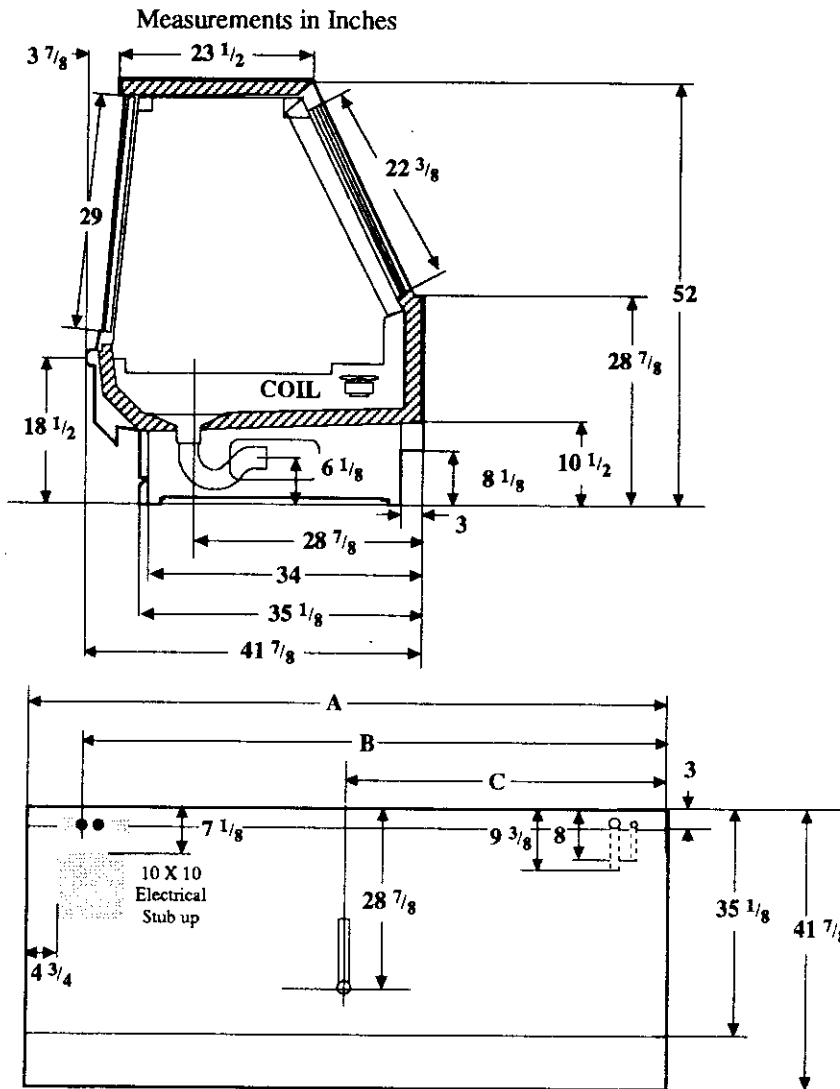
Physical Data

Merchandise	
Drip Pipe (in.)	2
Liquid Line (in.)	3/8
Suction Line (in.)	7/8

Evaporator Estimated Charge		
Length	R-22	R-502
	(lbs)	(lbs)
8'	13	13
12'	19	19

**Length Added to Lineup by
Ends and Partitions**

Each End (in.)	1 1/2
Each Partition (in.)	1 1/2



	Electrical Service	Dimension	8' Case	12' Case
	Waste Outlet	A	96 1/8	144 1/2
	Refrigeration Line Connection	B	87 5/8	136
		C	48	72 1/4

Vision NVBC Delicatessen

Electrical Data

Merchandiser	8Ft	12Ft
Number of Fans - Evaporator	1	2

Merchandiser	Amperes		Watts	
	8Ft	12Ft	8Ft	12Ft
Fans				
Standard Fans	0.70	1.40	50	100
Energy Efficient Fans	0.26	0.52	27	54
Reverse Air	NA			
Constant on Anti-sweat Heaters	NA			
Cycling Anti-sweat Heaters	NA			
Supplemental Gas Heaters	NA			
Min. Circuit Ampacity				
With Standard Fans	0.90	1.60		
With Energy Efficient Fans	0.46	0.72		
Reverse Air	NA			
Max. Over Current Protection	20	20		
208V 1Φ Electric Defrost	NA			
208V 1Φ Supplemental Rev. Air	NA			

Standard Lighting

1 Row Top Interior				
Advance	0.73	1.19	86	141
Valmont (GE)	0.73	1.13	86	134
Magnetec/Universal	0.73	1.17	86	136