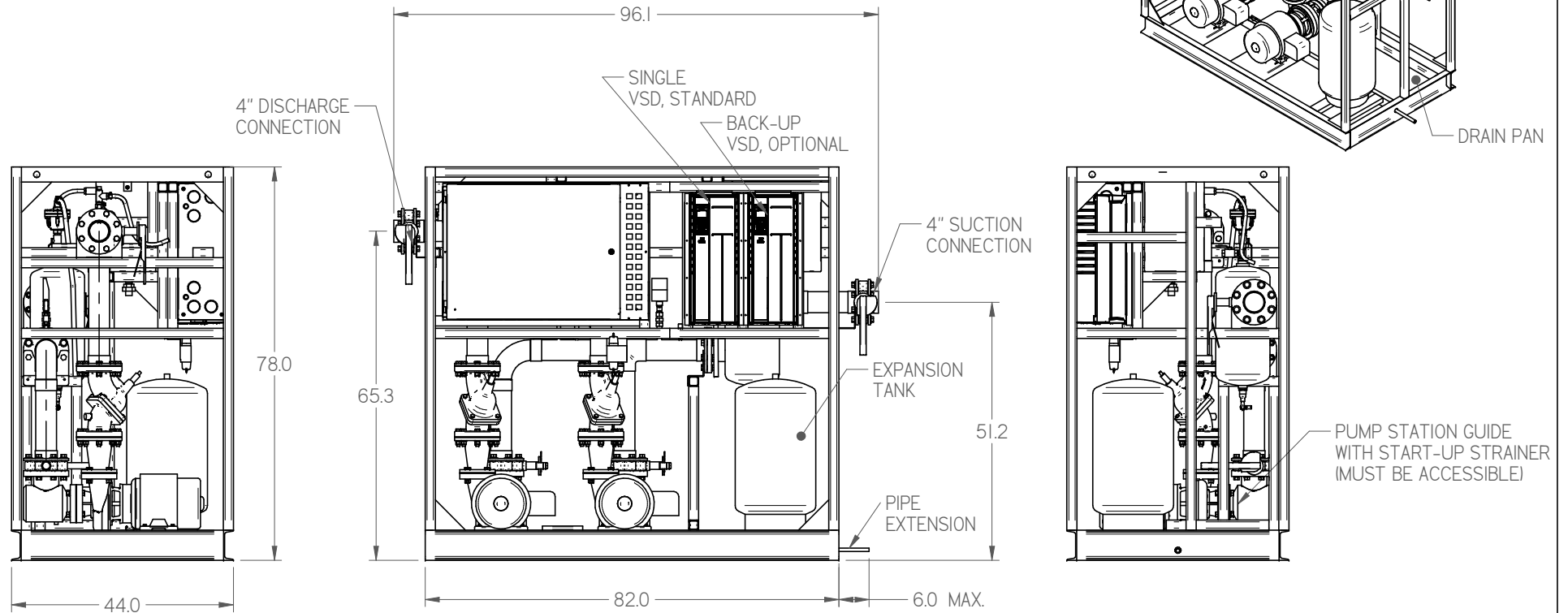
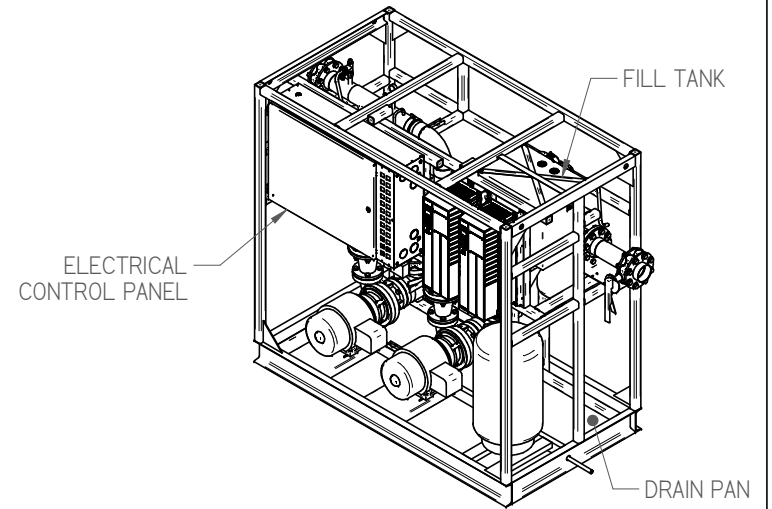


GPM (B & G)	Motor HP	Weight, Lbs. (operating)	Voltage	MCA (Min. Circuit Ampacity)	MOPD (Max. Overcurrent Protection)
250 - 300	10	3000 / 2600	208/230	39	60
			460	18	30
			575	14	25

TOP VIEW AND CLEARANCE REQUIREMENTS ON SHEET 3



NOTES:

1. IT IS THE RESPONSIBILITY OF THE INSTALLING CONTRACTOR TO ENSURE THAT THE FINAL EQUIPMENT INSTALLATION MEETS ALL APPLICABLE CODE REQUIREMENTS.
2. ILLUSTRATION SHOWN IS FOR GENERAL REPRESENTATION ONLY. ACTUAL PRODUCT WILL VARY DEPENDENT UPON APPLICATION.
3. OVERALL DIMENSIONS: 96.1 L X 44.0 W X 78.0 H.

DIMENSIONS ARE IN INCHES.
DATE DRAWN: 2017/09/18



SHEET 1 OF 3

HUSSMANN®

PUMP STATION-300
GPM B AND G

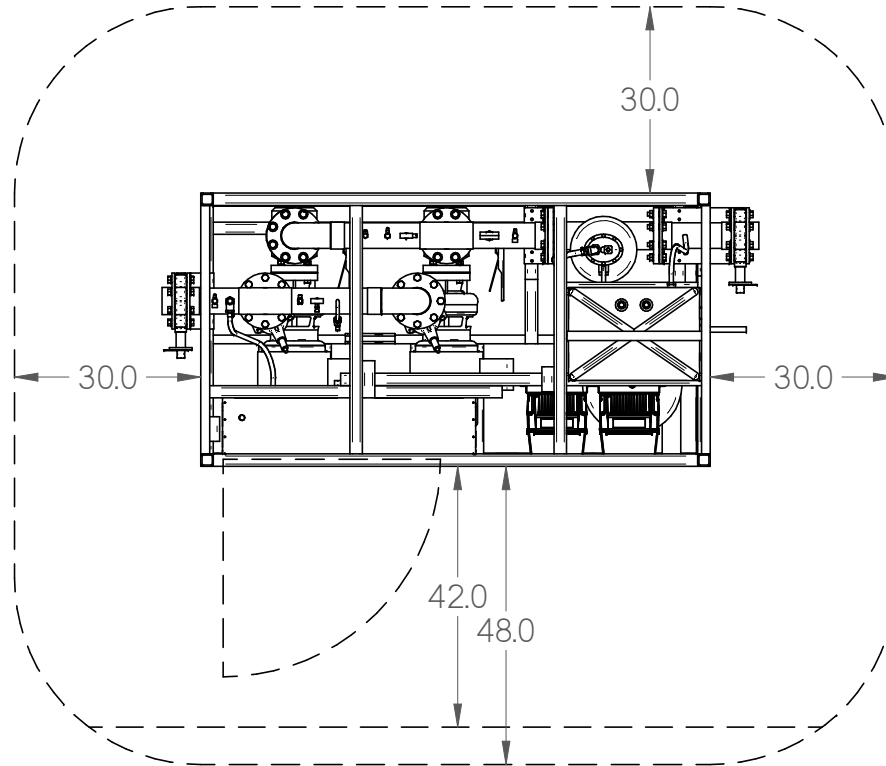
DOC PD-000000026 REV B

INFORMATION SUBJECT TO CHANGE

SHEET SUBMITTAL SHEET SIZE D

MINIMUM CLEARANCE REQUIREMENTS:

ACTUAL CLEARANCE REQUIREMENTS
ARE DEPENDENT UPON AUTHORITY
HAVING JURISDICTION, AND MAY EXCEED
DIMENSIONS SHOWN.



42" CLEARANCE BETWEEN
CONTROL PANEL & ANY WALL.

48" CLEARANCE BETWEEN
CONTROL PANEL & ANY LIVE
PANEL.

NOTES:

1. IT IS THE RESPONSIBILITY OF THE INSTALLING CONTRACTOR TO ENSURE THAT THE FINAL EQUIPMENT INSTALLATION MEETS ALL APPLICABLE CODE REQUIREMENTS.
2. ILLUSTRATION SHOWN IS FOR GENERAL REPRESENTATION ONLY. ACTUAL PRODUCT WILL VARY DEPENDENT UPON APPLICATION.
3. OVERALL DIMENSIONS: 96.1 L X 44.0 W X 78.0 H.

DIMENSIONS ARE IN INCHES.
DATE DRAWN: 2017/09/18



THIRD
ANGLE
PROJECTION

INFORMATION SUBJECT TO CHANGE

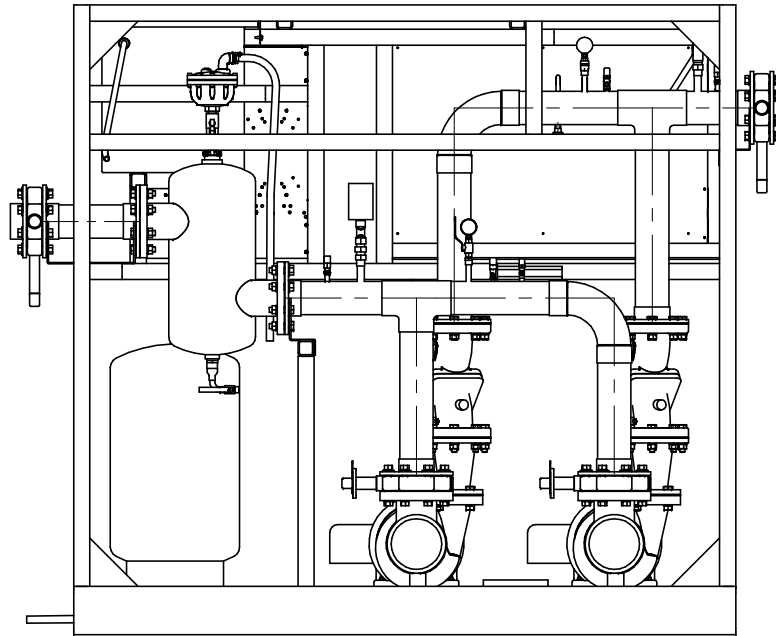
SHEET 3 OF 3

HUSSmann®

PUMP STATION-300
GPM B AND G

DOC PD-000000026 REV B

SWN10 SUBMITTAL SHEET SIZE D



BACK VIEW

NOTES:

1. IT IS THE RESPONSIBILITY OF THE INSTALLING CONTRACTOR TO ENSURE THAT THE FINAL EQUIPMENT INSTALLATION MEETS ALL APPLICABLE CODE REQUIREMENTS.
2. ILLUSTRATION SHOWN IS FOR GENERAL REPRESENTATION ONLY. ACTUAL PRODUCT WILL VARY DEPENDENT UPON APPLICATION.
3. OVERALL DIMENSIONS: 96.1 L X 44.0 W X 78.0 H.

DIMENSIONS ARE IN INCHES.
DATE DRAWN: 2017/09/18



THIRD
ANGLE
PROJECTION

INFORMATION SUBJECT TO CHANGE

SHEET 2 OF 3

HUSSmann[®]

PUMP STATION-300
GPM B AND G

DOC PD-000000026 REV B

SHEET SUBMITTAL SHEET SIZE D