

NSF Certification

This merchandiser model is manufactured to meet NSF/ANSI (National Sanitation Foundation) Standard #7 requirements for construction, materials and cleanability.



Scan the QR code on your mobile device to access additional product information or order parts.

Parts may also be ordered at:

parts.hussmann.com

Call toll free: 1.855.487.7778

We reserve the right to change or revise specifications and product design in connection with any feature of our products. Such changes do not entitle the buyer to corresponding changes, improvements, additions or replacements for equipment previously sold or shipped.

Note: Revision L: Updated refrigeration, electrical and product data; updated wiring diagrams.

Data sheet-Excel CF5X

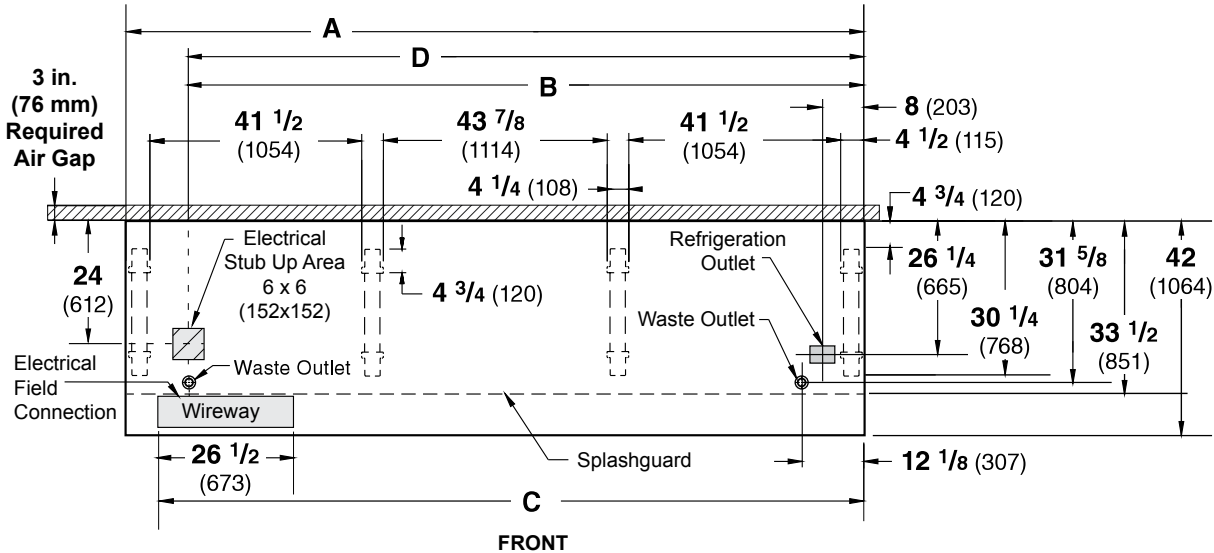
Engineering Plan Views

PHYSICAL DATA	
Merchandiser Drip Pipe (in.)	1 1/4
Merchandiser Liquid Line (in.)	3/8
Merchandiser Suction Line (in.)	7/8

Convertible

Dimensions shown as in. and (mm).

06-2012
CF5X



NOTE: Case-to-Case Electrical Connections are made IN FRONT OF SPLASHGUARD.

	4 ft	6 ft	8 ft	12 ft
General				
(A) Case Length (without ends, with acrylic partitions) (Each end and insulated partition adds 1 1/2 in. (38 mm) to case line up.) Optional view end with bumper adds 3 3/4 in. [95 mm].	48 3/8 (1229)	72 3/8 (1838)	96 3/8 (2448)	144 1/2 (3670)
Maximum O/S dimension of case back to front (includes bumper)	42 (1064)	42 (1064)	42 (1064)	42 (1064)
Back of case to front of splashguard	33 1/2 (851)	33 1/2 (851)	33 1/2 (851)	33 1/2 (851)
Back of case to O/S edge of front leg	30 1/4 (768)	30 1/4 (768)	30 1/4 (768)	30 1/4 (768)
Distance between edges of external legs and center legs	NA	29 1/2 (750)	41 1/2 (1054)	41 1/2 (1054)
Distance between edges of center legs	NA	NA	NA	43 7/8 (1114)
Distance between front legs and splashguard	2 3/4 (70)	2 3/4 (70)	2 3/4 (70)	2 3/4 (70)
Electrical Service <input checked="" type="checkbox"/> (Electrical Field Wiring connection point)				
(B) RH End of case to center of stub up area	36 1/4 (921)	60 1/4 (1530)	84 1/4 (2140)	132 3/8 (3363)
Back of case to center of stub up area	24 (612)	24 (612)	24 (612)	24 (612)
Length of electrical wireway <input type="checkbox"/> Wireway	26 1/2 (673)	26 1/2 (673)	26 1/2 (673)	26 1/2 (673)
(C) RH End of case to LH end of wireway	42 1/8 (1070)	66 1/8 (1680)	90 1/8 (2289)	138 1/4 (3511)
Waste Outlets (One each end) <input checked="" type="checkbox"/>				
(D) RH End of case to the center of LH waste outlet	36 1/4 (921)	60 1/4 (1530)	84 1/4 (2140)	132 3/8 (3363)
RH End of case to the center of RH waste outlet	12 1/8 (307)	12 1/8 (307)	12 1/8 (307)	12 1/8 (307)
Back O/S of case to center of waste outlets	31 5/8 (804)	31 5/8 (804)	31 5/8 (804)	31 5/8 (804)
Schedule 40 PVC drip pipe	1 1/4 (32)	1 1/4 (32)	1 1/4 (32)	1 1/4 (32)
Refrigeration Outlet <input type="checkbox"/>				
Back of case to center of refrigeration outlet	26 1/4 (665)	26 1/4 (665)	26 1/4 (665)	26 1/4 (665)
RH end of case to center of refrigeration outlet	8 (203)	8 (203)	8 (203)	8 (203)

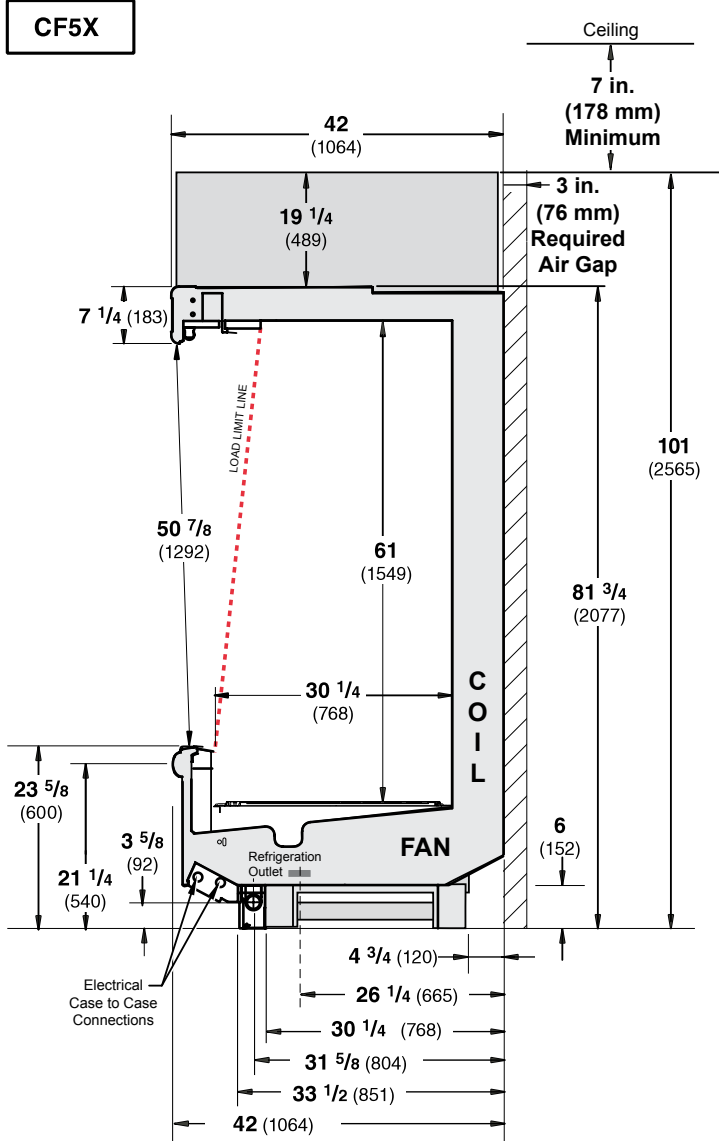
Multi-deck, 5 Display Levels



Hussmann refrigerated merchandisers configured for sale for use in the United States meet or surpass the requirements of the DOE 2017 energy efficiency standards.

Dimensions shown as in. and (mm).

Note: An optional Louvered Facade Panel kit is available that will allow for the top spacing minimum clearance of 3 inches (76 mm).



Working Charge¹

Total working charge with recommended Hussmann Air-Cooled condensing unit installed:

4 ft	2 lbs, 3 oz	/	1.00 kg
6 ft	5 lbs, 10 oz	/	2.54 kg
8 ft	9 lbs	/	4.08 kg
12 ft	10 lbs, 6 oz	/	4.72 kg

Total working charge with recommended HMDSLMT Water-Cooled condensing unit installed:

4 ft	3 lbs, 10 oz	/	1.63 kg
6 ft	3 lbs, 13 oz	/	1.72 kg
8 ft	4 lbs, 6 oz	/	2.00 kg
12 ft	5 lbs, 13 oz	/	2.63 kg

¹The total refrigerant charge includes the case and condensing unit. Both ship pre-charged with a portion of the total refrigerant.

Excel CF5X
Dairy/Delicatessen/Produce

REFRIGERATION DATA

Note: This data is based on store temperature and humidity that does not exceed 75°F and 55% R.H.

CF5X [§]	DAIRY/DELI/PRODUCE [†]	
	UNLIT	LIT
Discharge Air (°F)	33	31
Evaporator (°F)	28	26
Unit Sizing (°F)	26	24

[†]For red meat application, lower evaporator temperature and unit sizing 3°F. Increase Btu 5%.

[§] Average evaporator temperature shown. Use dew point for high glide refrigerants for unit sizing. Care should be taken to use the dew point in PT tables for measuring and adjusting superheat. Adjust evaporator pressure as needed to maintain discharge air temperature shown.

Btu/hr/ft — Unlit Shelves[‡]

CF5X	Parallel	Conventional
UNLIT	1374	1444

[‡] Add 10 Btu/hr/ft per shelf row for LED fixtures. Add 20 Btu/hr/ft per shelf row for fluorescent lamps. Reduce refrigeration load by 15% if fitted with CaseShieldPTM.

DEFROST DATA

CF5X	
Frequency Hrs	6
Defrost Water (lb/ft/day)	10.5

(± 15% based on case configuration and product loading).

TEMPERATURE TERMINATED	CF5X
Temp (°F)	48°F
Failsafe (Minutes)	45

ELECTRIC OR GAS Not Recommended

CONVENTIONAL CONTROLS

Low Pressure Backup Control

CI/CO*

CF5X	DAIRY/DELI/PRODUCE ^{††}
Temp (°F)	19°F / 9°F

*Use a Temperature Pressure Chart to determine PSIG conversions.

^{††}For red meat application, reduce low pressure backup control by 3°F.

Excel CF5X Dairy/Delicatessen/Produce
--

Electrical Data

	4 ft	6 ft	8 ft	12 ft				
Number of Fans—25W	1	—	2	3				
Number of Fans—7W	—	4	—	—				
	Amperes				Watts			
	4 ft	6 ft	8 ft	12 ft	4 ft	6 ft	8 ft	12 ft
Evaporator Fan								
120V 50/60Hz Standard Energy Efficient	0.60	0.76	1.20	1.80	36	56	72	108
Minimum Circuit Ampacity								
120V 50/60Hz Standard Energy Efficient	0.80	0.96	1.40	2.00				
Maximum Over Current Protection 120V	20	20	20	20				

ONLY LIGHTING CONFIGURATIONS THAT ARE COMPLIANT WITH THE U.S. DEPT. OF ENERGY (DOE) 2017 REGULATION ARE AVAILABLE FOR SALE FOR USE IN THE U.S.A.

	Amperes				Watts			
	4 ft	6ft	8 ft	12 ft	4 ft	6 ft	8 ft	12 ft
LED LIGHTING								
Canopy Lights								
1 Row	0.16	0.26	0.36	0.54	19	31	43	64
Canopy Lights								
1 Row	0.16	0.26	0.32	0.48	19	32	39	58
1 Row HO	0.22	0.33	0.44	0.66	27	40	53	79
Shelf Lights								
1 Row of Shelves	0.08	0.12	0.16	0.25	10	14	20	30
2 Rows of Shelves	0.16	0.23	0.33	0.49	20	28	40	59
3 Rows of Shelves	0.25	0.35	0.49	0.74	30	42	59	89
4 Rows of Shelves	0.33	0.47	0.66	0.99	40	56	79	119
5 Rows of Shelves	0.41	0.59	0.82	1.24	49	71	99	148
6 Rows of Shelves	0.49	0.70	0.99	1.48	59	85	119	178
7 Rows of Shelves	0.58	0.82	1.15	1.73	69	99	138	208
Rail Light — 1 Row	0.08	0.12	0.16	0.25	10	14	20	30
Standard Lighting (T-8 Fluorescent) 1 Row Canopy								
Each Row of Canopy, Shelf or Rail Lights	0.26	0.51	0.51	0.77	30	59	59	85

120V Lighting Circuit Total = Standard Lighting + Total Optional Lighting + Optional Shelf Lighting

120V LED Lighting Circuit Total = Canopy Lighting + Shelf Lighting

230V Lighting Circuit Total = Multiply 120V Lighting Circuit Total by 0.52

Please note: some combinations of fluorescent lights on this case model may not be compliant with DOE 2017 and may not be available to order in the US and Canada. More lighting options are available with LED lights. The Hussmann Product Configurator will not allow lighting options that do not comply with the DOE 2017 standards.

Excel CF5X
Dairy/Delicatessen/Produce

Product Data

<i>Recommended Usable Cube</i> ² (Cu Ft/Ft)	9.39 ft ³ /ft (0.87 m ³ /m)
<i>AHRI Total Display Area</i> ¹ (Sq Ft/Ft)	4.24 ft ² /ft (1.29 m ² /m)
<i>Shelf Area</i> ² (Sq Ft/Ft)	9.88 ft ² /ft (3.01 m ² /m)

- ¹ Computed using AHRI 1200 standard methodology: Total Display Area, ft² [m²]/Unit of Length, ft [m]
- ² Shelf Surface Area and Recommended Usable Cube are composed of bottom deck plus standard shelf complement, as shown in the Hussmann *Product Reference Guide*. The standard shelf complement for this model is (4) rows of 22-inch shelves.

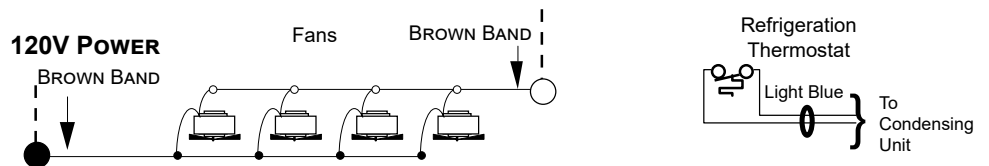
ESTIMATED SHIPPING WEIGHT⁴					
Case	<i>4 ft</i>	<i>6 ft</i>	<i>8 ft</i>	<i>12 ft</i>	Solid End
					<i>(each)</i>
lb (kg)	800 (363)	1000 (454)	1200 (544)	1400 (635)	100 (45)

⁴ Actual weights will vary according to optional kits included.

Fan Wiring
Offtime Defrost

1, 2, 3 & 4 Fans

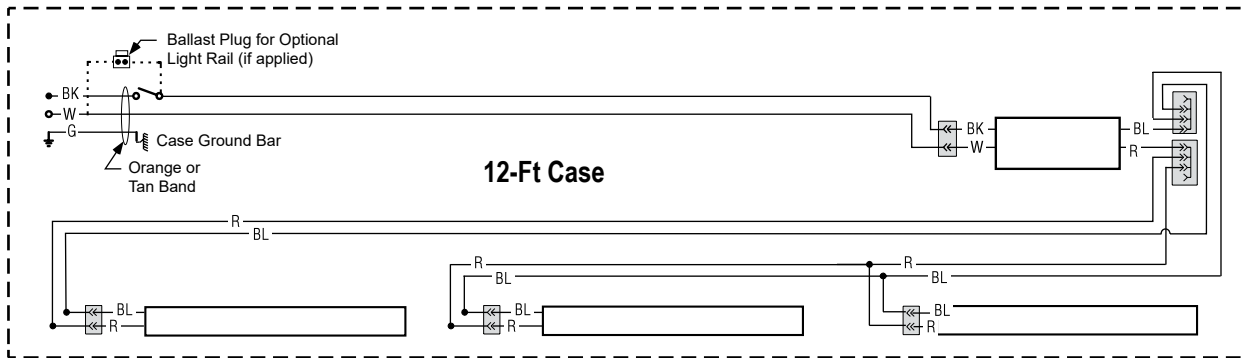
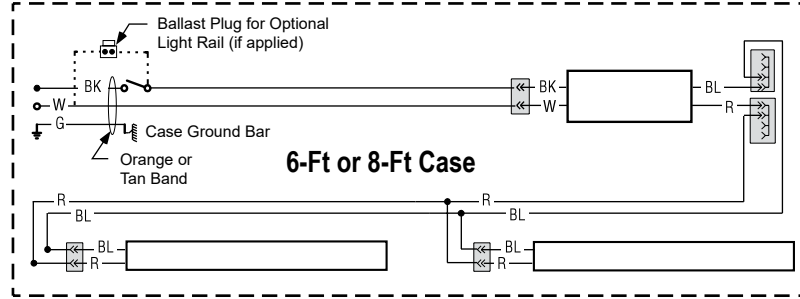
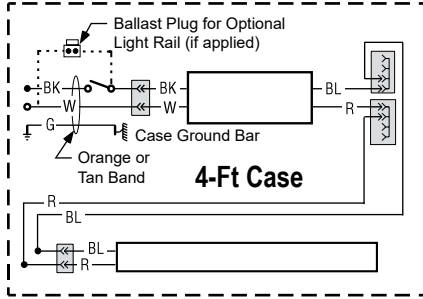
4 ft - 1 Fan
6 ft - 4 Fans
8 ft - 2 Fans
12 ft - 3 Fans



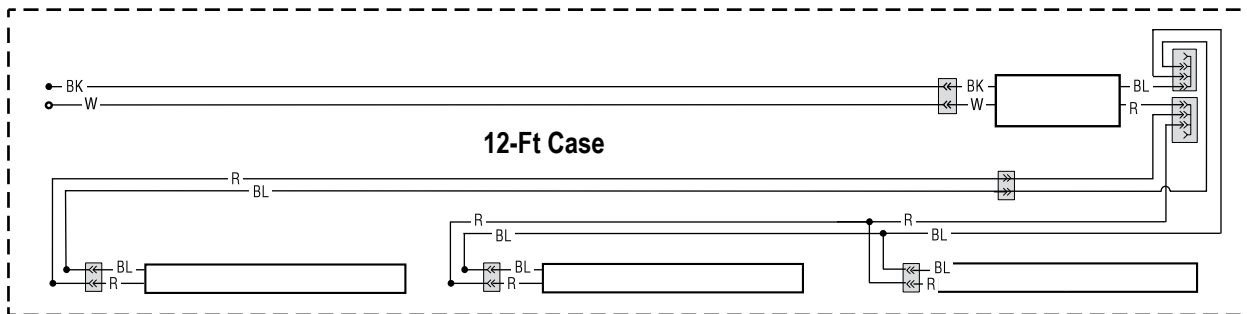
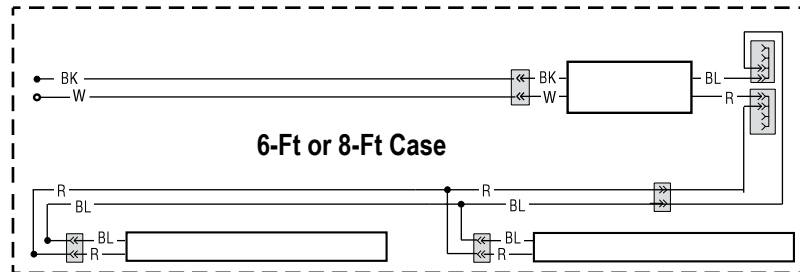
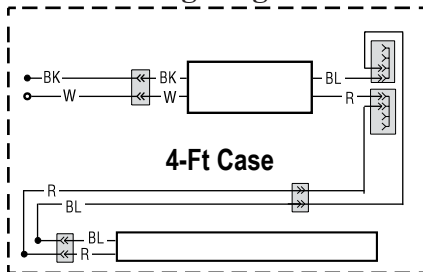
Scan QR code to access
Fluorescent Wiring Diagrams
on your mobile device.

LED Canopy and Rail Light Circuits

LED Canopy Lighting - 1 Row



LED Rail Lighting - 1 Row



WARNING

All components must have mechanical ground, and the merchandiser must be grounded.

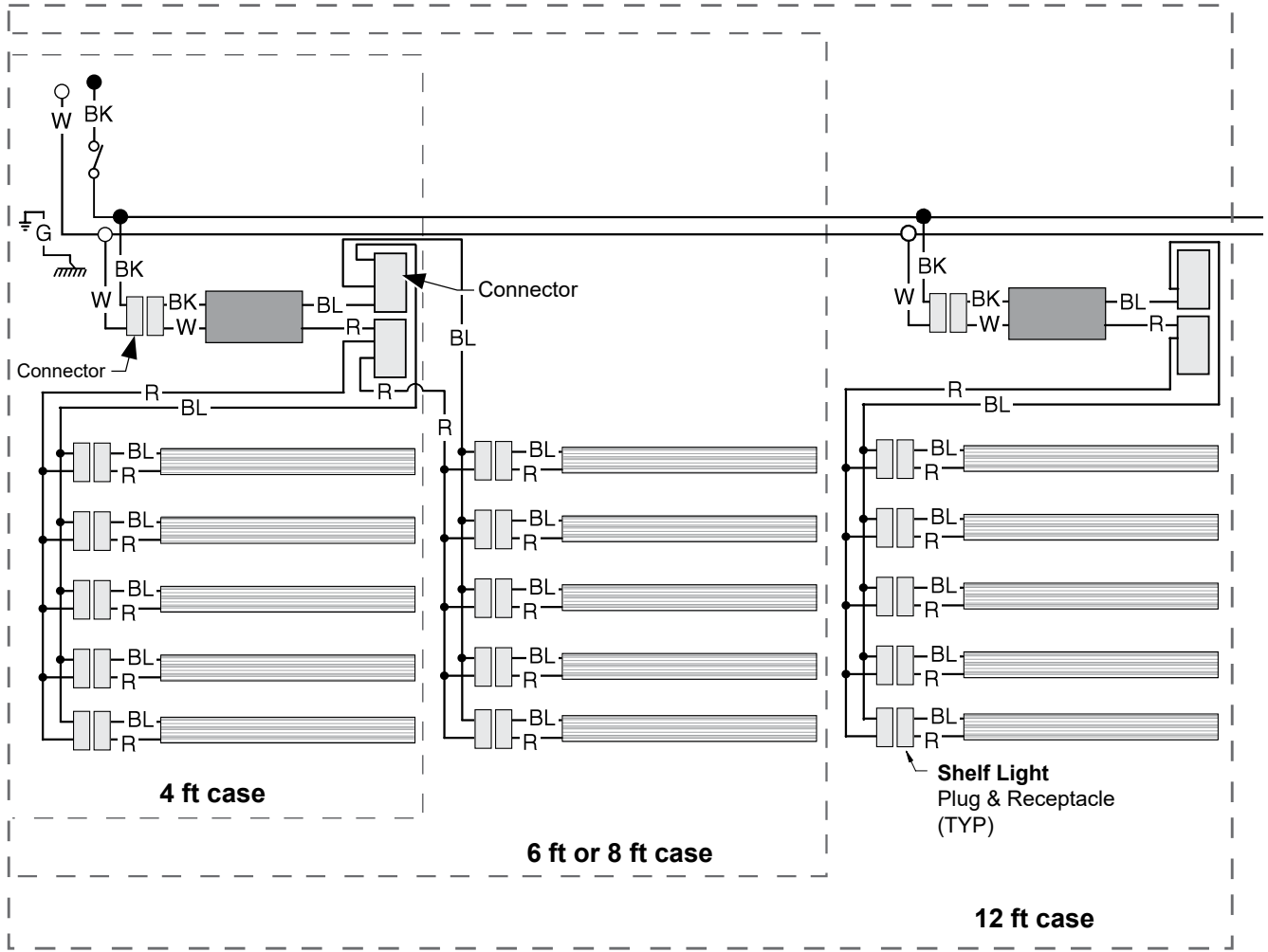
Grayed components in 12 foot models only

R = Red Y = Yellow G = Green BL = Blue BK = Black W = White

● = 120V Power ○ = 120V Neutral ⊥ = Field Ground ≡ = Case Ground

Optional Shelf Lighting LED Fixtures

Shelf Harness and LED Light Circuits for 4 or 5 Rows of Shelves



WARNING

All components must have mechanical ground, and the merchandiser must be grounded.

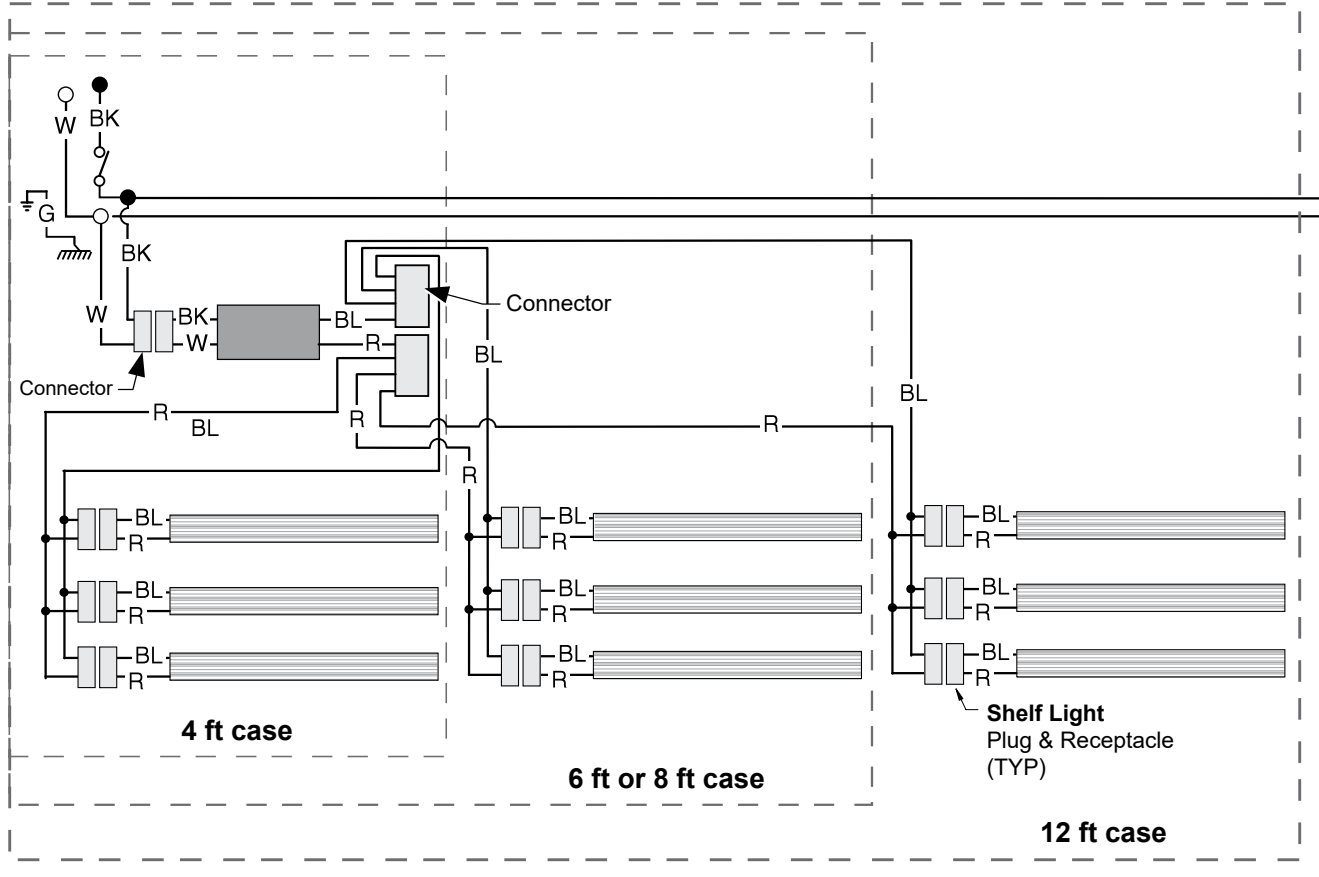
Grayed components in 12 foot models only

R = Red Y = Yellow G = Green BL = Blue BK = Black W = White

● = 120V Power ○ = 120V Neutral ⊥ = Field Ground ≡ = Case Ground

Optional Shelf Lighting LED Fixtures

Shelf Harness and LED Light Circuits for 2 or 3 Rows of Shelves



WARNING

All components must have mechanical ground, and the merchandiser must be grounded.

Grayed components in 12 foot models only

R = Red Y = Yellow G = Green BL = Blue BK = Black W = White

● = 120V Power ○ = 120V Neutral ⊥ = Field Ground ≡ = Case Ground