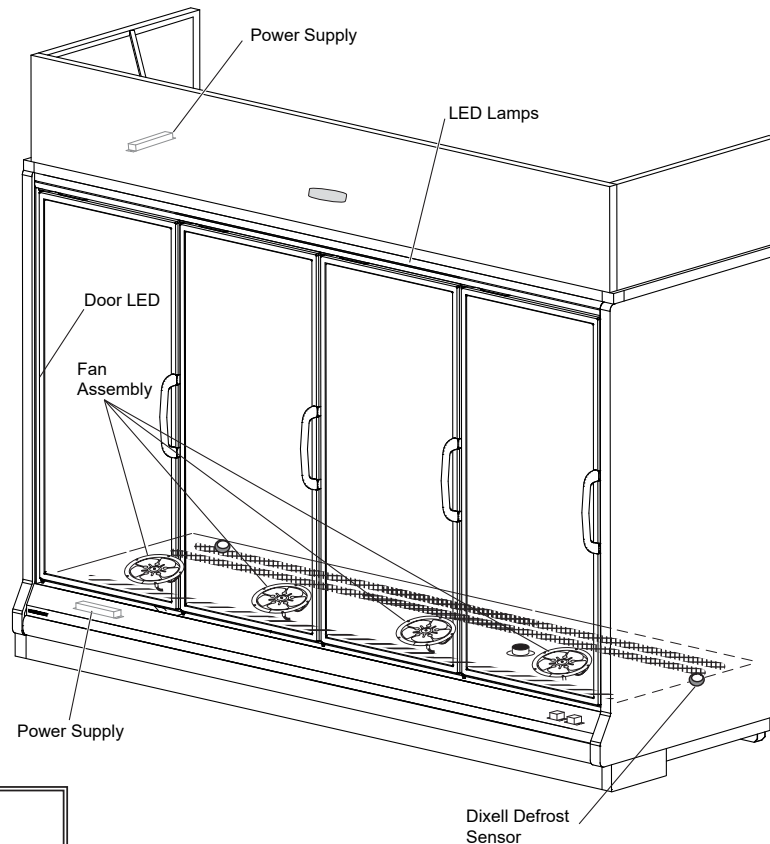


Freedom Line merchandisers are top mount refrigeration ready

OPTIONS SHOWN:
• Lighted Facades



DOE 2017
Energy Efficiency
Compliant

Warning:
Terminal block
NOT for
case-to-case
wire connection!

**Refer to INNOVATOR REACH-IN GLASS DOOR
INSTALLATION AND SERVICE manual, PIN
0425683, for Innovator and Innovator II door
and frame replacement parts.**



Scan the QR code on your mobile device
to access additional product information
or order parts.

Parts may also be ordered at:

parts.hussmann.com

Call toll free: 1.855.487.7778

We reserve the right to change or revise specifications and product design in connection with any feature of our products. Such changes do not entitle the buyer to corresponding changes, improvements, additions or replacements for equipment previously sold or shipped.

Data sheet-LifeLine RFMN

Note: Revision R: added 1 door data and updated wiring diagrams.

Engineering Plan Views

Reach-In
1, 2, 3, 4 & 5 Door

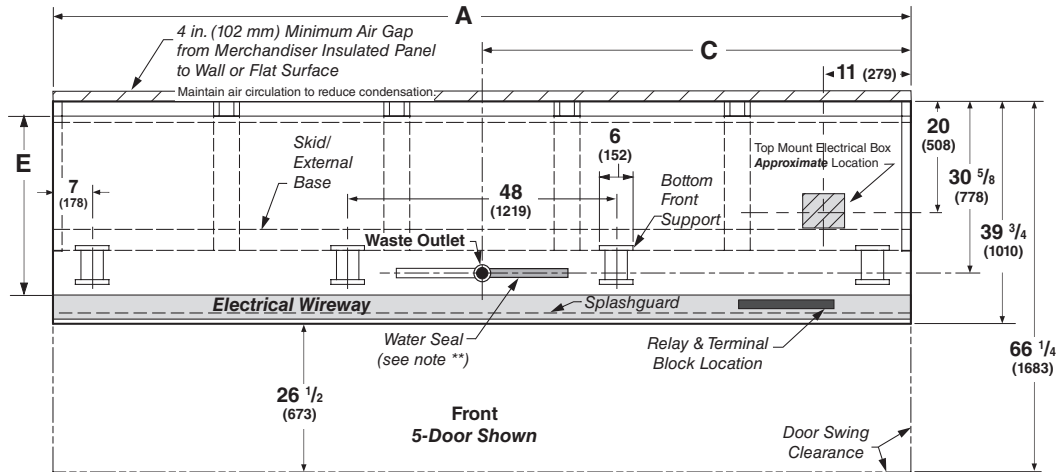
Freedom Line RFLN - RFMN Plan View



PHYSICAL DATA

Merchandiser Drip Pipe (in.)	1 1/4
Merchandiser Liquid Line (in.)	3/8
Merchandiser Suction Line (in.)	5/8

Dimensions shown as inches and (mm).

Freedom Line — Standard Narrow Footprint Plan View 2, 3, 4 & 5 Door



General	1 Dr	2 Dr	3 Dr	4 Dr	5 Dr
(A) Merchandiser Length	31 1/2 (800)	62 (1575)	92 1/2 (2350)	122 7/8 (3121)	153 3/8 (3896)
**NOTE: Each solid end adds approximately 2 3/8 in (60 mm) to length of line up; each partition add approximately 2 3/4 in (70 mm); case to case joints can add approximately 1/8 in (3 mm) for gasket material.					
Maximum O/S dimension of merchandiser back to front ***	39 3/4 (1010)	39 3/4 (1010)	39 3/4 (1010)	39 3/4 (1010)	39 3/4 (1010)
*** Add 26 1/2 in. (673 mm) for door swing.					
Back of merchandiser to rear of splashguard	35 7/8 (911)	35 7/8 (911)	35 7/8 (911)	35 7/8 (911)	35 7/8 (911)
Width of Skid rail	3 3/4 (95)	3 3/4 (95)	3 3/4 (95)	3 3/4 (95)	3 3/4 (95)
Width of Bottom Front Support	6 (152)	6 (152)	6 (152)	6 (152)	6 (152)
Stub-up area between front support and splashguard	3 1/8 (79)	3 1/8 (79)	3 1/8 (79)	3 1/8 (79)	3 1/8 (79)
Electrical Service (dimensions are approximate)					
(B) RH end of merchandiser to center of Electrical Service Area	11 (279)	11 (279)	11 (279)	11 (279)	11 (279)
Back O/S of merchandiser to center of Electrical Service Area	20 (508)	20 (508)	20 (508)	20 (508)	20 (508)
* NOTE: Electrical Field Wiring Connection Point is at top of merchandiser.					
Waste Outlet 					
(C) Right end of merchandiser to center of waste outlet	15 3/4 (400)	23 7/8 (606)	54 1/4 (1378)	46 1/4 (1175)	76 5/8 (1946)
Water Seal 					
Edge of water seal to center of waste outlet	13 (330)	13 (330)	13 (330)	13 (330)	13 (330)
Schedule 40 PVC drip pipe	1 1/4 (32)	1 1/4 (32)	1 1/4 (32)	1 1/4 (32)	1 1/4 (32)
** NOTE: Field installed water seal outlets, tees, and connectors are shipped with merchandiser.					
Refrigeration Outlet					
(D) RH end of merchandiser to center of refrigeration interface	5 3/8 (136)	5 3/8 (136)	5 3/8 (136)	5 3/8 (136)	5 3/8 (136)
Back O/S of merchandiser to center of refrigeration interface	49 5/8 (1260)	49 5/8 (1260)	49 5/8 (1260)	49 5/8 (1260)	49 5/8 (1260)
* NOTE: Refrigeration interface is at top of merchandiser.					
Outside bottom front supports from end of merchandiser	7 (178)	7 (178)	7 (178)	7 (178)	7 (178)
Center bottom front support from Centerline	24 (610)	24 (610)	24 (610)	24 (610)	24 (610)
Distance between Center and Outside supports will vary					
(E) Depth when disassembled for door entry (optional)	35 1/2 (902)	35 1/2 (902)	35 1/2 (902)	35 1/2 (902)	35 1/2 (902)

Freedom Line Narrow Footprint Reach-in
Top-Mount-Refrigeration Ready
1, 2, 3, 4 and 5 Door Models

Freedom Line RFMN
With Innovator Doors
Medium Temperature

Standard Reach-in configuration consists of Innovator I doors, energy efficient fan motors, and LED vertical lighting.



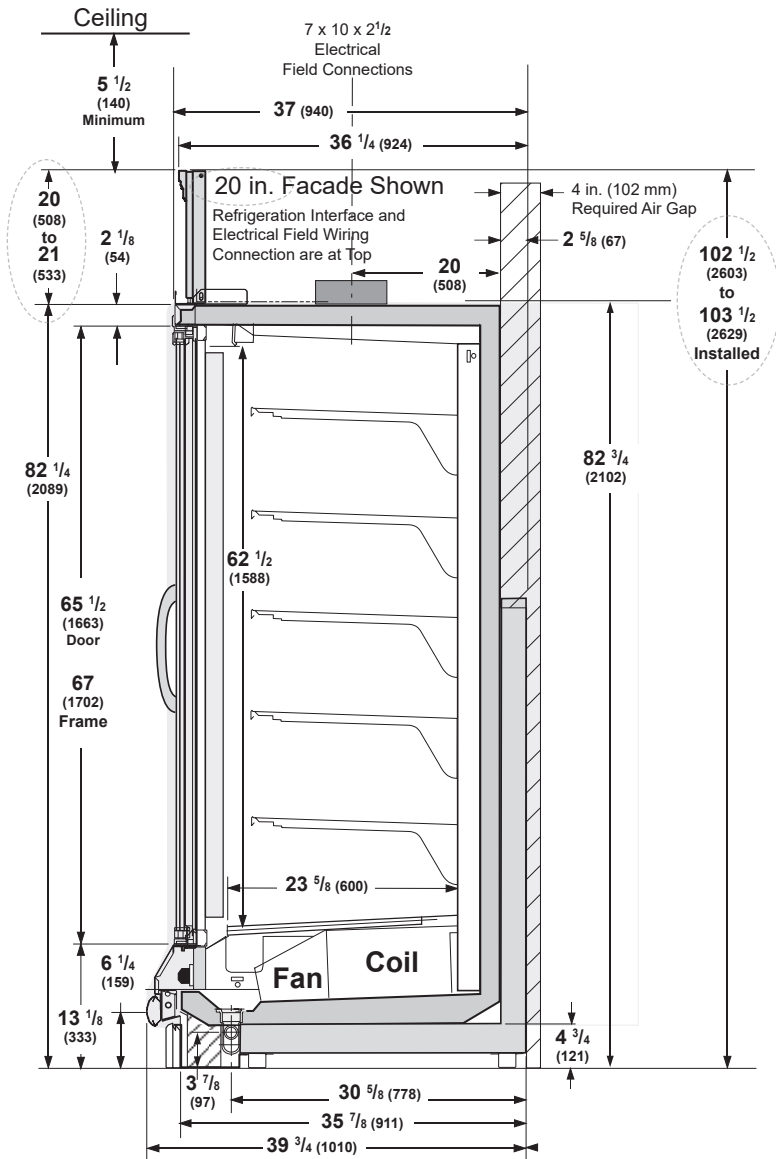
Hussmann refrigerated merchandisers configured for sale for use in the United States meet or surpass the requirements of the DOE 2017 energy efficiency standards.

Provide adequate clearance for air circulation at rear to reduce condensation.

Dimensions shown as inches and (mm).

Note: An optional Louvered Facade Panel kit is available that will allow for the top spacing minimum clearance of 3 inches (76 mm).

Note: Facade is field-installed. Electrical connection box, external supports, door handle and front raceway may be removed to facilitate passage through door way.



REFRIGERATION DATA

Note: This data is based on store temperature and humidity levels that do not exceed NSF guidelines.

	MEDIUM TEMP	AHRI Rating
Discharge Air °F	32	36
Evaporator °F	27	32
Unit Sizing °F	25	30

BTU/HR/DOOR

	NSF TYPE I	NSF TYPE II	AHRI RATING
Temp (°F) /R.H. 75°/ 55%			
INNOVATOR			
Parallel	480	505	470
Conventional	500	525	490

§ Average evaporator temperature shown. Use dew point for high glide refrigerants for unit sizing. Care should be taken to use the dew point in PT tables for measuring and adjusting superheat. Adjust evaporator pressure as needed to maintain discharge air temperature shown.

DEFROST DATA

Frequency (hr)	24
Defrost Water (lb/Dr/day)	0.36
(± 15% based on case configuration and product loading.)	

OFFTIME

Temp Term (°F)	48
Failsafe (minutes)	40

CONVENTIONAL CONTROLS

	Cut In	Cut Out
HPC (psig)	320	395
LPC (psig)	15	5

Refrigeration data continued on page 5.

NSF Certification

This merchandiser model is manufactured to meet NSF/ANSI (National Sanitation Foundation) Standard #7 requirements for construction, materials & cleanability.

Freedom Line RFMN

With Innovator Doors

Medium Temperature

REFRIGERATION DATA (CONTINUED)

WORKING REFRIGERANT CHARGE ¹

Air-Cooled

Working Refrigerant Charge with recommended Condensing Unit installed:

1 Dr	12 oz	/	0.34 kg
2 Dr	2. lb, 8 oz	/	1.13 kg
3 Dr	3.0 lb	/	1.36 kg
4 Dr	3 lb, 5 oz	/	1.50 kg
5 Dr	3 lb, 8 oz	/	1.59 kg

Water-Cooled

Working Refrigerant Charge with recommended HMDSMT Condensing Unit installed:

2 Dr	2.0 lb	/	0.91 kg
3 Dr	3.0 lb	/	1.36 kg
4 Dr	3 lb, 14 oz	/	1.77 kg
5 Dr	4 lb, 6 oz	/	2.00 kg

¹ The total refrigerant charge includes the case and condensing unit. Both ship precharged with a portion of the total refrigerant.

Husmann recommends against frame heater cycling with *Innovator doors* or *Innovator III doors* to prevent door seals from freezing to the frames and tearing.

Freedom Line RFMN

With Innovator Doors
Medium Temperature

Electrical Data

	1Dr	2Dr	3Dr	4Dr	5Dr					
Number of Fans—12W	1	2	3	4	5					
	Amperes					Watts				
Merchandiser	1Dr	2Dr	3Dr	4Dr	5Dr	1Dr	2Dr	3Dr	4Dr	5Dr
Energy Efficient Evaporator Fan										
120V 50/60Hz Innovator	0.11	0.60	0.90	1.20	1.50	13	36	54	72	90
Door Anti-sweat Heaters (on fan circuit)										
120V 50/60Hz Innovator			N/A							
Frame Anti-sweat Heaters (on fan circuit)										
120V 50/60Hz Innovator	0.2	0.78	1.18	1.57	1.97	23.9	94	141	188	236
Heated Condensate Pan	5.0	5.0	5.0	5.0	5.0	600	600	600	600	600
Condensate Pump	0.7	1.9	1.9	1.9	1.9	84	87	87	87	87
Defrost										
Drain Heaters (120V)			N/A							
120 V Circuit										
<i>(Fans, anti-sweat heaters, drain pan heater, condensate pan heater, condensate pump, and standard 2 LEDs)</i>										
With Innovator Doors (standard)	14.6	8.0	8.8	9.6	10.5					
Maximum Overcurrent Protection Device (MOPD)	20	20	20	20	20					

ONLY LIGHTING CONFIGURATIONS THAT ARE COMPLIANT WITH THE U.S. DEPT. OF ENERGY (DOE) 2017 REGULATION ARE AVAILABLE FOR SALE FOR USE IN THE U.S.A.

Standard Vertical LED Lighting	1Dr	2Dr	3Dr	4Dr	5Dr	1Dr	2Dr	3Dr	4Dr	5Dr
120V	0.18	0.31	0.46	0.62	0.77	18.5	37.1	55.6	74.2	92.7
220V Export	0.19	0.19	0.27	0.35	0.43	42	42	60	78	96

† Notes:

1. Single point electrical input for the RFLN Freedom case requires a 208/230V 4 wire electrical connection at the top of the case for the case components, defrost heater, and optional field-installed condensing unit. Defrost heater and condensing unit circuits are non-concurrent loads. To determine the circuit size, use the larger of the two loads - do not add the two loads together.
2. For total electrical circuit requirements refer to the condensing unit datasheet and include all optional components.

A qualified electrician should perform all wiring in accordance with the NEC code and/ or all local codes. Wire sizing must take into account the total distance from the electrical panel to the Freedom case.

Freedom Line RFMN

With Innovator Doors
Medium Temperature

Product Data

<i>AHRI Total Display Area</i> ¹ (Sq Ft/Dr)	13.04 ft ² /Dr (1.21 m ² /Dr)
<i>Recommended Usable Cube</i> ² (Cu Ft/Dr)	24.48 ft ³ /Dr (0.69 m ³ /Dr)
<i>Shelf Area</i> ² (Sq Ft/Dr)	28.50 ft ² /Dr (2.65 m ² /Dr)

¹ Computed using AHRI 1200 standard methodology: Total Display Area, ft² [m²]/Unit of Length, ft [m]

² Shelf Surface Area and Recommended Usable cube are composed of bottom deck plus standard shelf complement, as shown in the Hussmann *Product Reference Guide*. The standard shelf complement for this model is (5) rows of 24-inch shelves.

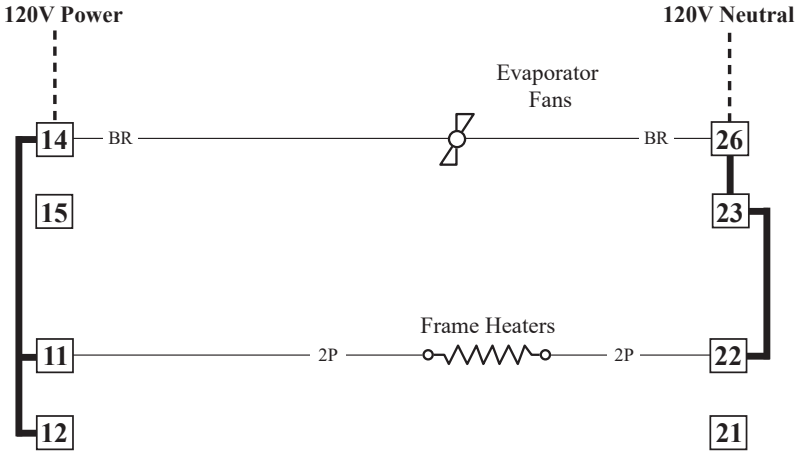
ESTIMATED SHIPPING WEIGHT ⁴

	<i>1 Dr</i>	<i>2 Dr</i>	<i>3 Dr</i>	<i>4 Dr</i>	<i>5 Dr</i>	<i>Solid End (each)</i>
Standard Freedom Line Merchandiser (18-Inch Facade, no Arch)						
lb (kg)	617 (80)	1005 (456)	1262 (572)	1688 (766)	2070 (939)	74 (34)

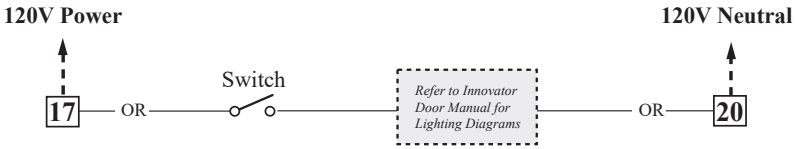
⁴ Actual weights will vary according to optional kits included.

Fan and Heater Circuits – Offtime Defrost (Standard) Medium Temperature

CIRCLED NUMBERS = PARTS LIST ITEM NUMBERS
 R = Red P = Purple 2P = Purple (2 Bands) DB = Dark Blue BK = Black
 LB = Light Blue Pink = Pink BR = Brown Y = Yellow OR = Orange W = White
THESE ARE MARKER COLORS (WIRE MAY VARY).

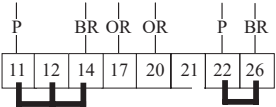


Refer to *Innovator Reach-In Glass Door, Installation and Service manual*, P/N 0425683, for *Innovator* door and frame replacement parts.



Terminal Blocks in Wireway

Medium Temperature with Offtime Defrost



WARNING
 All components must have mechanical ground, and the merchandiser must be grounded.

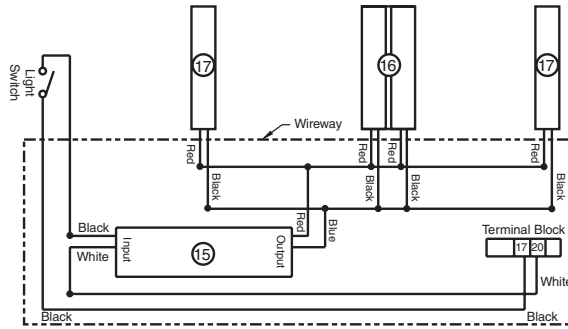
● = 120V Power ○ = 120V Neutral ⊥ = Field Ground ≡ = Case Ground

NOTE: For optional field install condensing unit wiring diagram, refer to condensing unit data sheet.

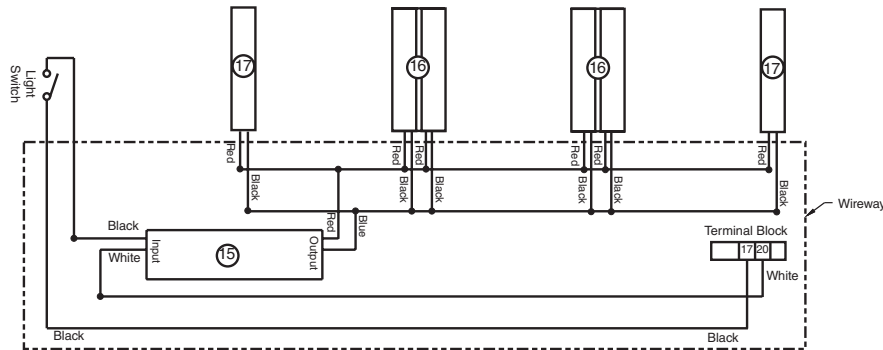
Freedom Line RFMN

With Innovator Doors
Medium Temperature

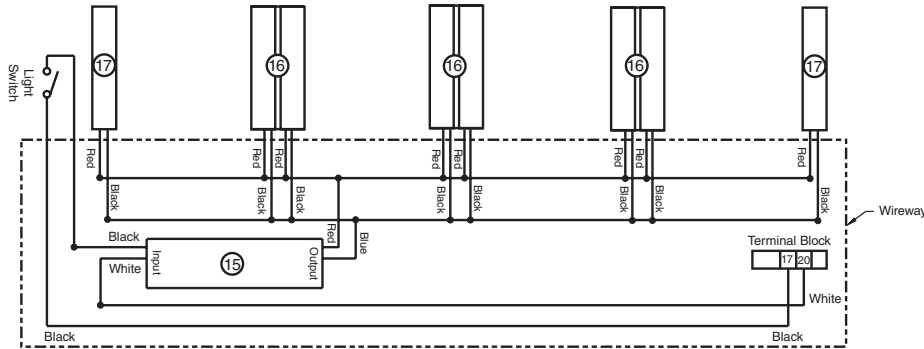
Optional Lighting LED Fixtures



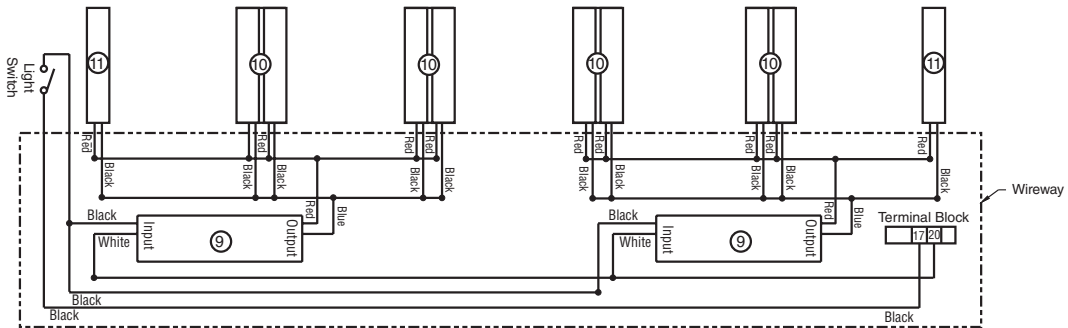
2 Door LED Light Wiring Diagram



3 Door LED Light Wiring Diagram



4 Door LED Light Wiring Diagram



5 Door LED Light Wiring Diagram

WARNING

All components must have mechanical ground, and the merchandiser must be grounded.

Circled numbers = Parts List Item Numbers

R = Red Y = Yellow G = Green BL = Blue BK = Black W = White

● = 120V Power ○ = 120V Neutral ⊥ = Field Ground $\overline{\overline{\overline{\quad}}}$ = Case Ground