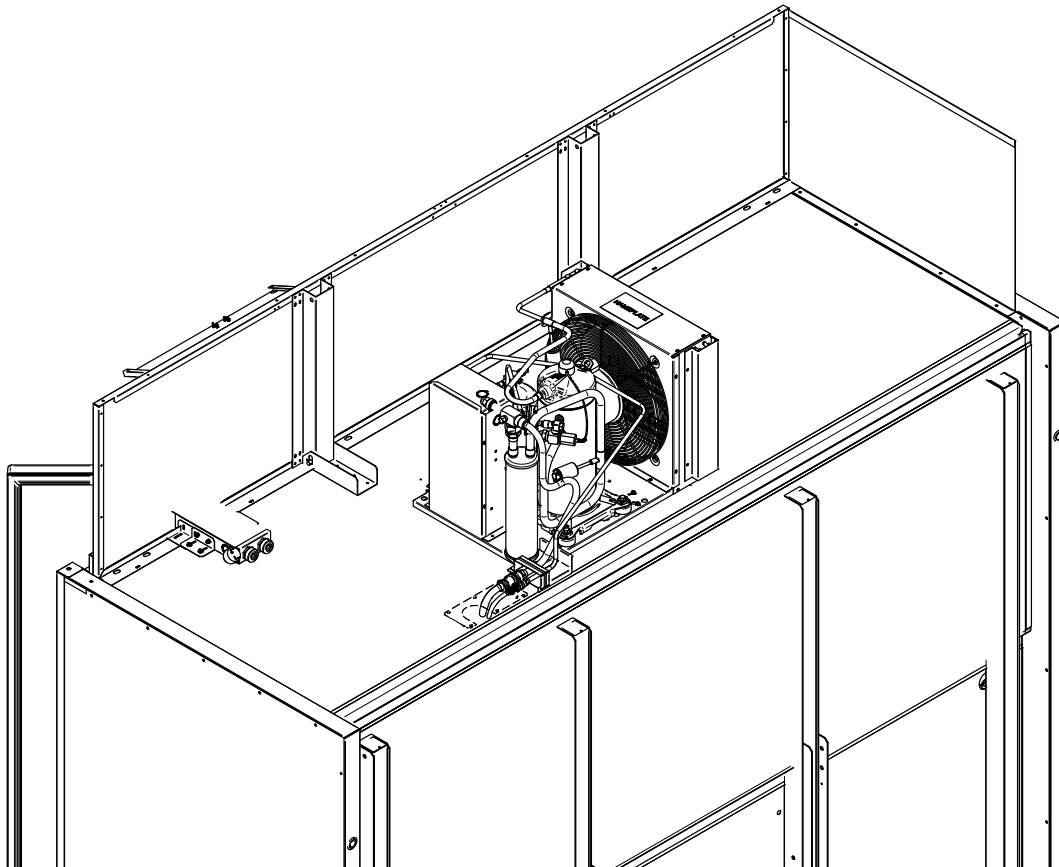


HUSSMANN®

Reach-In Freedom Air-Cooled Condensing Units

Technical Data Sheet
P/N 3049063_G
January 2021



We reserve the right to change or revise specifications and product design in connection with any feature of our products. Such changes do not entitle the buyer to corresponding changes, improvements, additions or replacements for equipment previously sold or shipped.

Datasheet-Freedom Line Condensing Units

Note: Revision G: Updated application data and wiring diagrams.

R448A

Freedom Line Air-Cooled Condensing Units for Reach-in Cases
--

Application	RFL/RFLN/RFLNS					
	1 Door	2 Door	3 Door	4 Door	5 Door	
SINGLE POINT CIRCUIT (208V, 1 Phase, 4 Wire)						
Maximum Overcurrent Protection Device (MOPD)	20	20	30	30	40	
Minimum Circuit Ampacity (MCA)						
	RFL, RFLN	13.1	17.8	22.9	29.7	34.3
	RFLNS	--	15.8	20.8	26.9	32.5
Condensing Unit						
Voltage/ 60Hz / 1 Phase	208/230	208/230	208/230	208/230	208/230	
Compressor RLA	4.3	6.1	7.4	13.9	13.9	
LRA	23	42.3	40.3	75	75	
R448A Charge (lbs)(Condensing unit only)	1.4	5.1	5.1	5.1	5.1	
Total Working Charge (case + condensing unit, lbs):	2.3	6.0	6.5	6.9	7.4	
Oil Recharge (oz)	19	19	19	19	19	
Heat of Rejection (Btu/hr)	2,451	4,804	6,509	8,438	10,548	
Refrigerant Connections (inches)						
Liquid Line	3/8	3/8	3/8	3/8	3/8	
Suction Line	5/8	5/8	5/8	5/8	5/8	
Dimensions (inches)						
Height	11.9	17.7	17.7	17.7	17.7	
Length	16.0	24.9	24.9	24.9	24.9	
Width	15.1	18.8	18.8	18.8	18.8	
Shipping Weight (lbs)	53	119	122	117	117	

NOTE: Includes fans, lights, controller, evaporator pan, a/s heaters, pump, condensing unit, and defrost heaters. Subtract 5 amps if heated condensate pan is not applied.

MCA and MOPD values may need to be adjusted for additional optional components.

Freedom Line Air-Cooled Condensing Units for Reach-in Cases
--

Application	RFM/RFMN/RFMNS				
	2 Door	3 Door	4 Door	5 Door	
	120V		208V, 1 Phase, 4 Wire		
SINGLE POINT CIRCUIT					
Maximum Overcurrent Protection Device (MOPD)	20	20	20	20	
Minimum Circuit Ampacity (MCA)					
	RFM, RFMN	14.1	15.8	14.4	16.5
	RFMNS	7.4	8.9	13.5	15.3
Condensing Unit					
Voltage/ 60Hz / 1 Phase	120	120	208/230	208/230	
Compressor RLA	4.0	4.8	3.0	4.0	
LRA	26.0	34.0	17.5	22.0	
R448A Charge (lbs)(Condensing unit only)	0.7	0.7	0.7	0.7	
Total Working Charge (case + condensing unit, lbs):	2.5	3.0	3.3	3.5	
Oil Recharge (oz)	10	10	10	10	
Heat of Rejection (Btu/hr)	1,656	2,548	3,331	4,164	
Refrigerant Connections (inches)					
Liquid Line	3/8	3/8	3/8	3/8	
Suction Line	5/8	5/8	5/8	5/8	
Dimensions (inches)					
Height	10.5	10.5	11.7	11.7	
Length	16.0	16.0	16.5	16.6	
Width	14.3	14.3	13.1	13.1	
Shipping Weight (lbs)	40	44	45	40	

NOTE: Includes fans, lights, controller, evaporator pan, a/s heaters, pump, condensing unit, and defrost heaters. Subtract 5 amps if heated condensate pan is not applied.

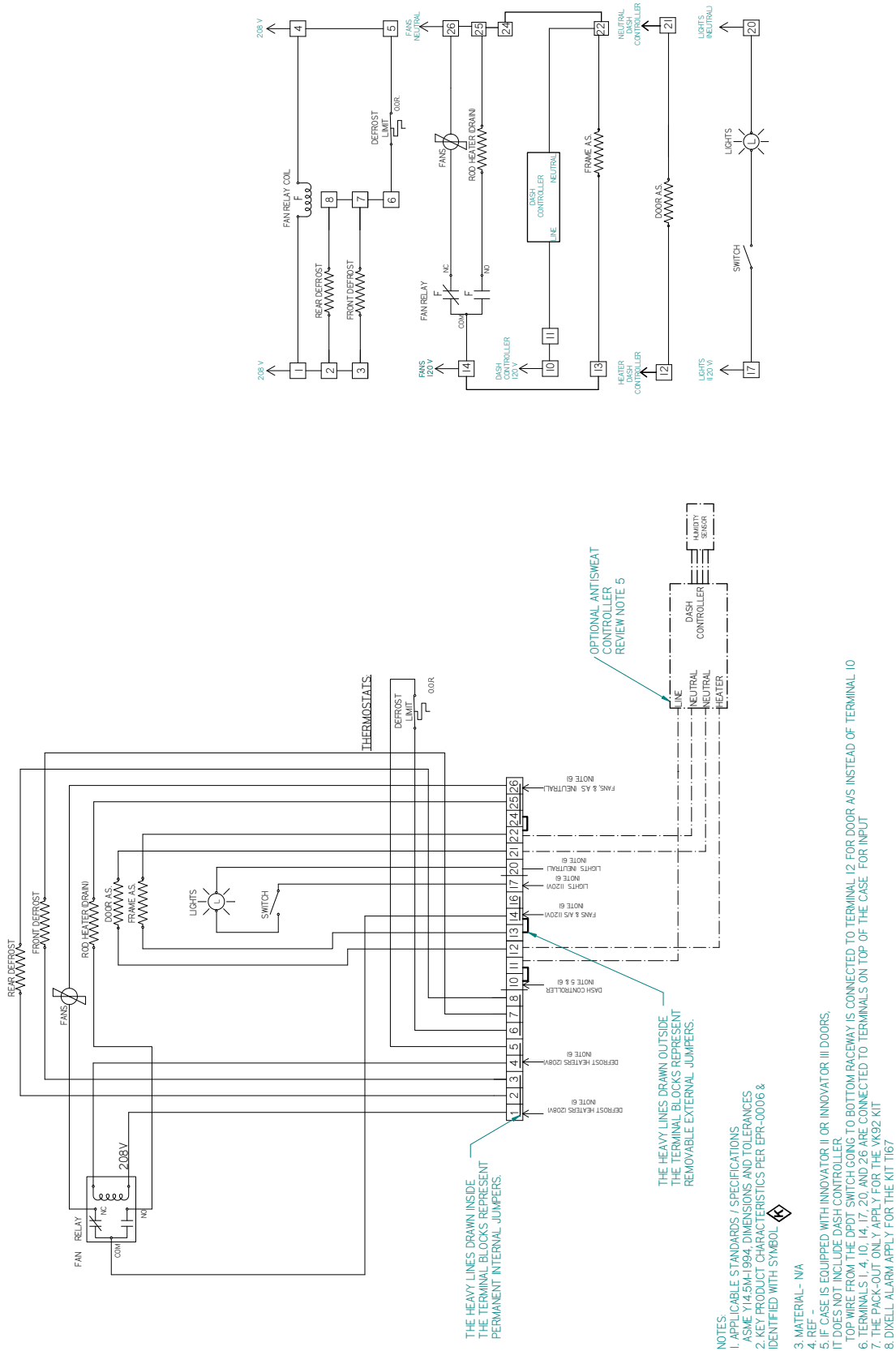
MCA and MOPD values may need to be adjusted for additional optional components.

Freedom Line Air-Cooled Condensing Units for Reach-in Cases
--

Application	RFLTM			
	2 Door	3 Door	4 Door	5 Door
MULTI-POINT WIRING (Standard for RFL,RFLN,RFLTM)				
Circuit 1 (120V, 1 Phase) Fans, Lights, Controller, Evaporator Pan, A/S Heaters Pump				
Maximum Overcurrent Protection Device (MOPD)	*See Case Data Sheet*			
Minimum Circuit Ampacity (MCA):	*See Case Data Sheet*			
Circuit 2 (208V, 1 Phase) Condensing Unit and Defrost Heaters				
Maximum Overcurrent Protection Device (MOPD)	15	15	30	30
Minimum Circuit Ampacity (MCA)	9.5	12.3	18.8	18.8
OPTIONAL SINGLE POINT CIRCUIT (208V, 1 Phase, 4 Wire)				
Maximum Overcurrent Protection Device (MOPD)	--	--	--	--
Minimum Circuit Ampacity (MCA)	--	--	--	--
Condensing Unit				
Voltage/ 60Hz / 1 Phase	208/230	208/230	208/230	208/230
Compressor RLA	6.1	8.7	13.9	13.9
LRA	42.3	55.0	75	75
R448A Charge (lbs)(Condensing unit only)	5.1	5.1	5.1	5.1
Total Working Charge (case + condensing unit, lbs):	6.0	6.5	6.9	7.4
Oil Recharge (oz)	19	19	19	19
Heat of Rejection (Btu/hr)	1,987	3,057	3,997	4,997
Refrigerant Connections (inches)				
Liquid Line	3/8	3/8	3/8	3/8
Suction Line	5/8	5/8	5/8	5/8
Dimensions (inches)				
Height	17.7	17.7	17.7	17.7
Length	24.9	24.9	24.9	24.9
Width	18.8	18.8	18.8	18.8
Shipping Weight (lbs)	119	118	117	117

RFL,RFLN 1 - 5 Door Single Point
3055656 R

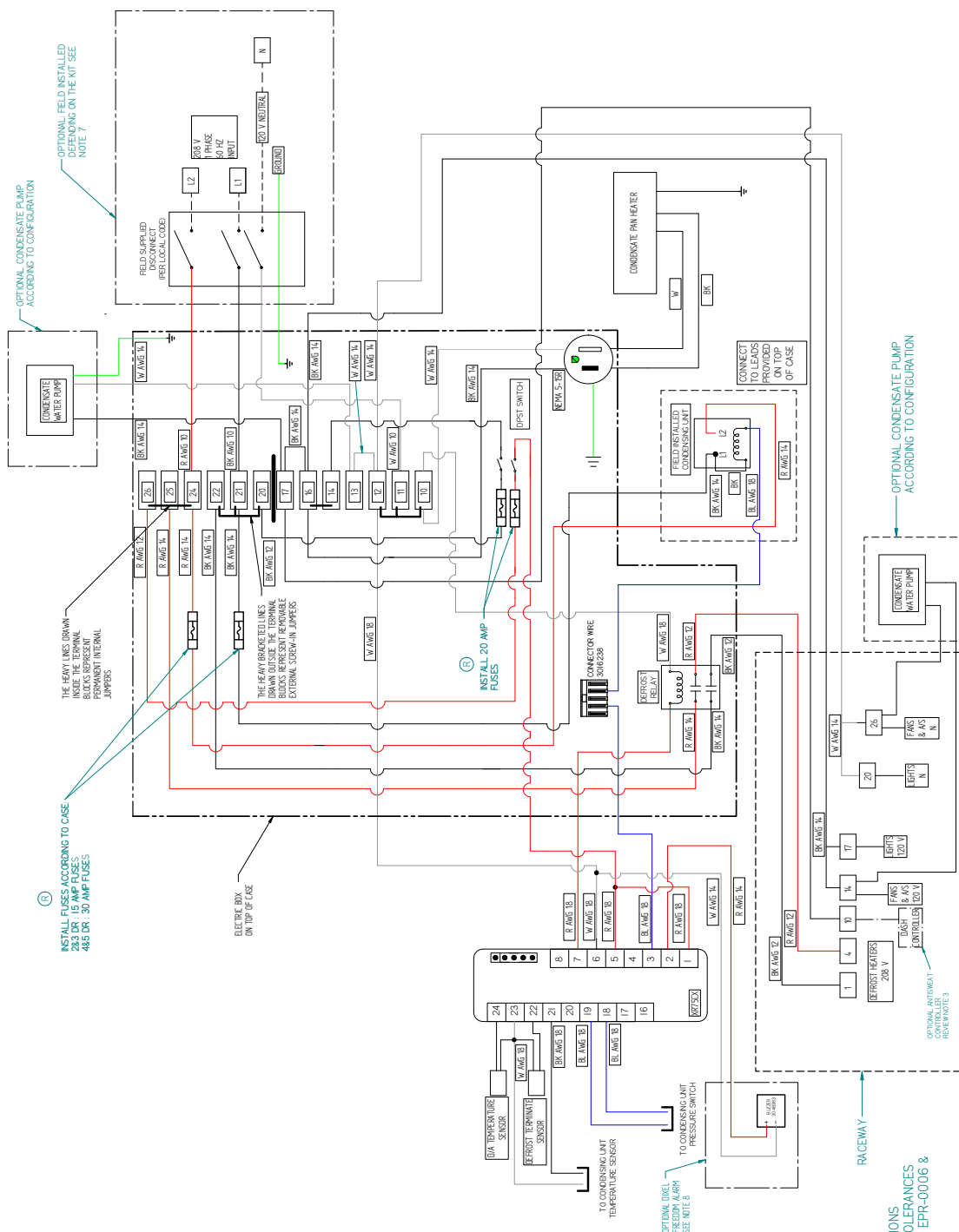
Freedom Line
Air-Cooled Condensing Units
for Reach-in Cases



Freedom Line
Air-Cooled Condensing Units
for Reach-in Cases

RFL,RFLN 1 - 5 Door Single Point

3055656 R

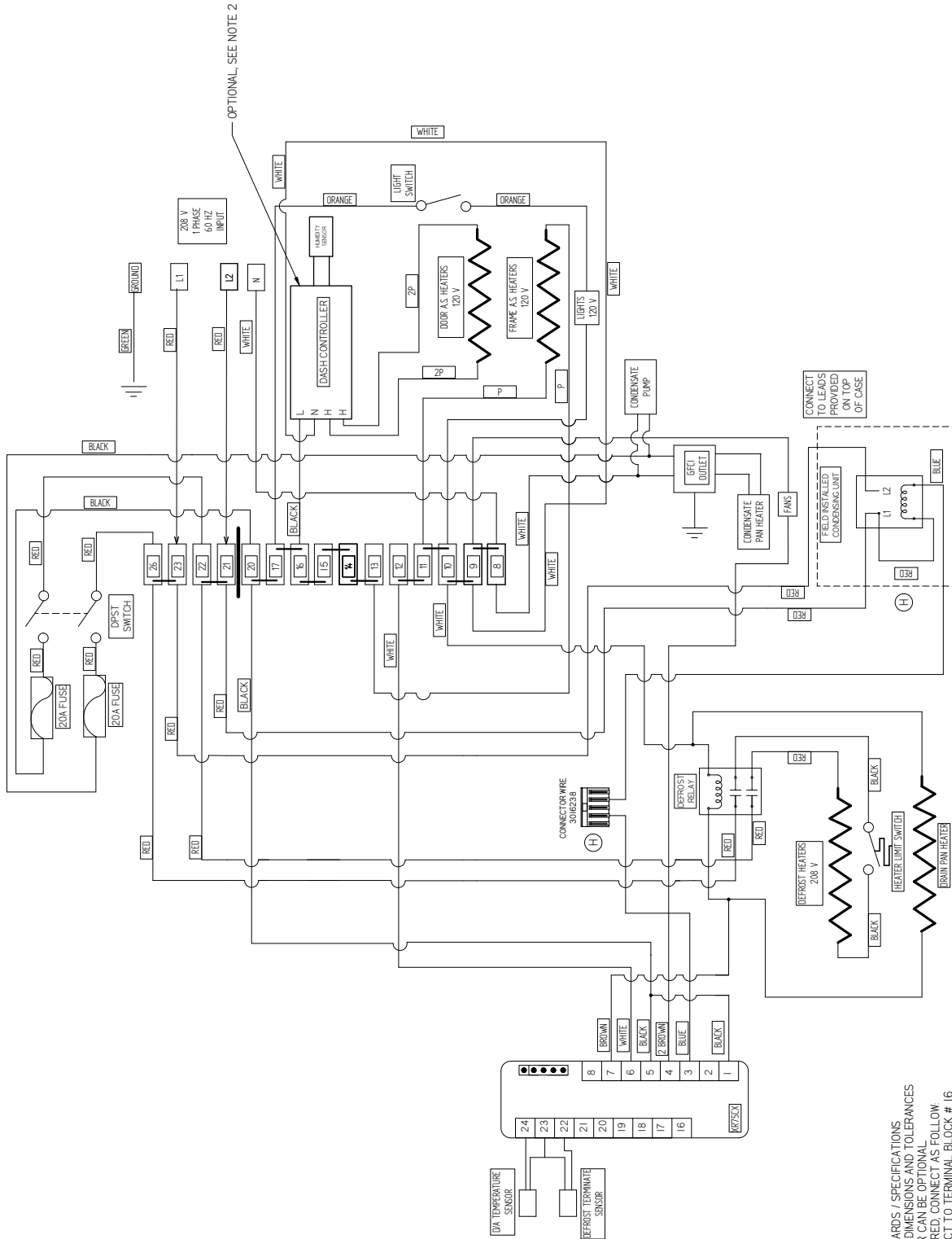


- NOTES:**
1. APPLICABLE STANDARDS / SPECIFICATIONS
 ASME Y14.5M-1994 DIMENSIONS AND TOLERANCES
 2. KEY PRODUCT CHARACTERISTICS PER EPR-0006 &
 IDENTIFIED WITH SYMBOL
 3. MATERIAL - N/A
 4. REF -
 5. IF CASE IS EQUIPPED WITH INNOVATOR II OR INNOVATOR III DOORS,
 IT DOES NOT INCLUDE DASH CONTROLLER.
 TOP WIRE FROM THE DPT SWITCH GOING TO BOTTOM RACEWAY IS CONNECTED TO TERMINAL 10
 6. TERMINALS 1, 4, 10, 14, 17, 20, AND 26 ARE CONNECTED TO TERMINALS ON TOP OF THE CASE. FOR INPUT
 7. THE PACK-OUT ONLY APPLY FOR THE WK92 KIT
 8. DIXELL ALARM APPLY FOR THE KIT T167

RFLNS 2 - 5 Door Single Point

0539476 H

Freedom Line
Air-Cooled Condensing Units
for Reach-in Cases

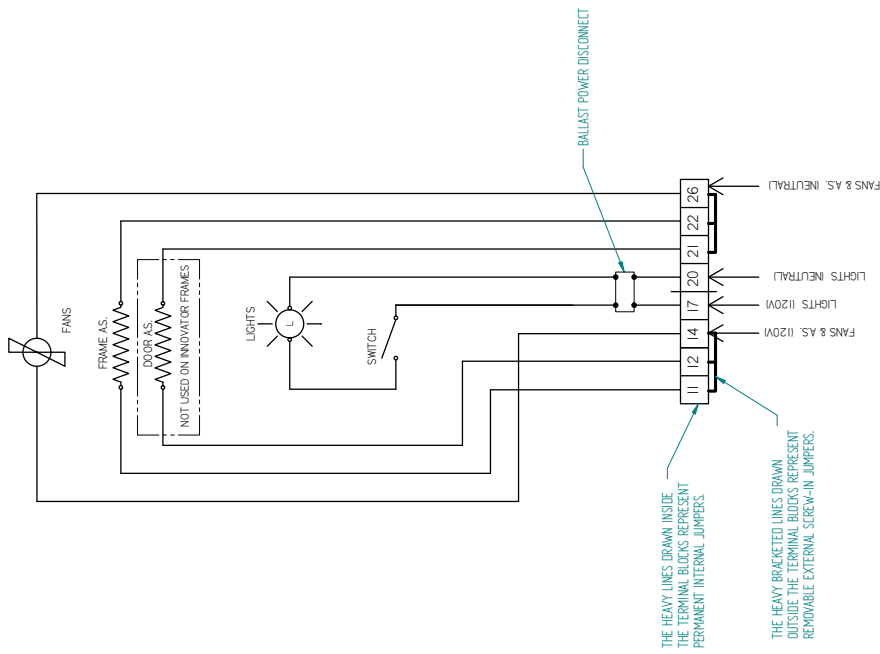
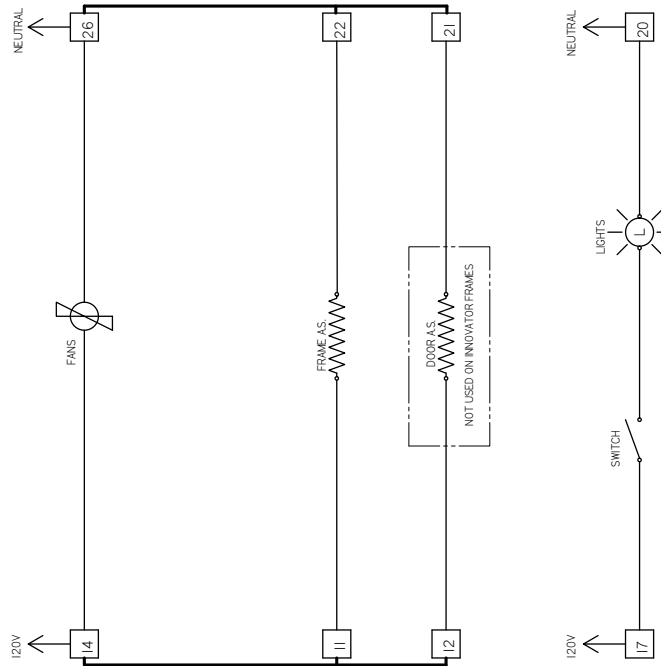


- NOTES:
1. APPLICABLE STANDARDS / SPECIFICATIONS (SEE Y145M 1084 DIMENSIONS AND TOLERANCES)
 2. DASH CONTROL LED CAN BE OPTIONAL IF IT IS NOT REQUIRED. CONNECT AS FOLLOWS:
DOOR LINE CONNECT TO TERMINAL BLOCK # 16
DOOR NEUTRAL CONNECT TO TERMINAL BLOCK # 9

Freedom Line
Air-Cooled Condensing Units
for Reach-in Cases

RFM,RFMN 4 & 5 Door Single Point

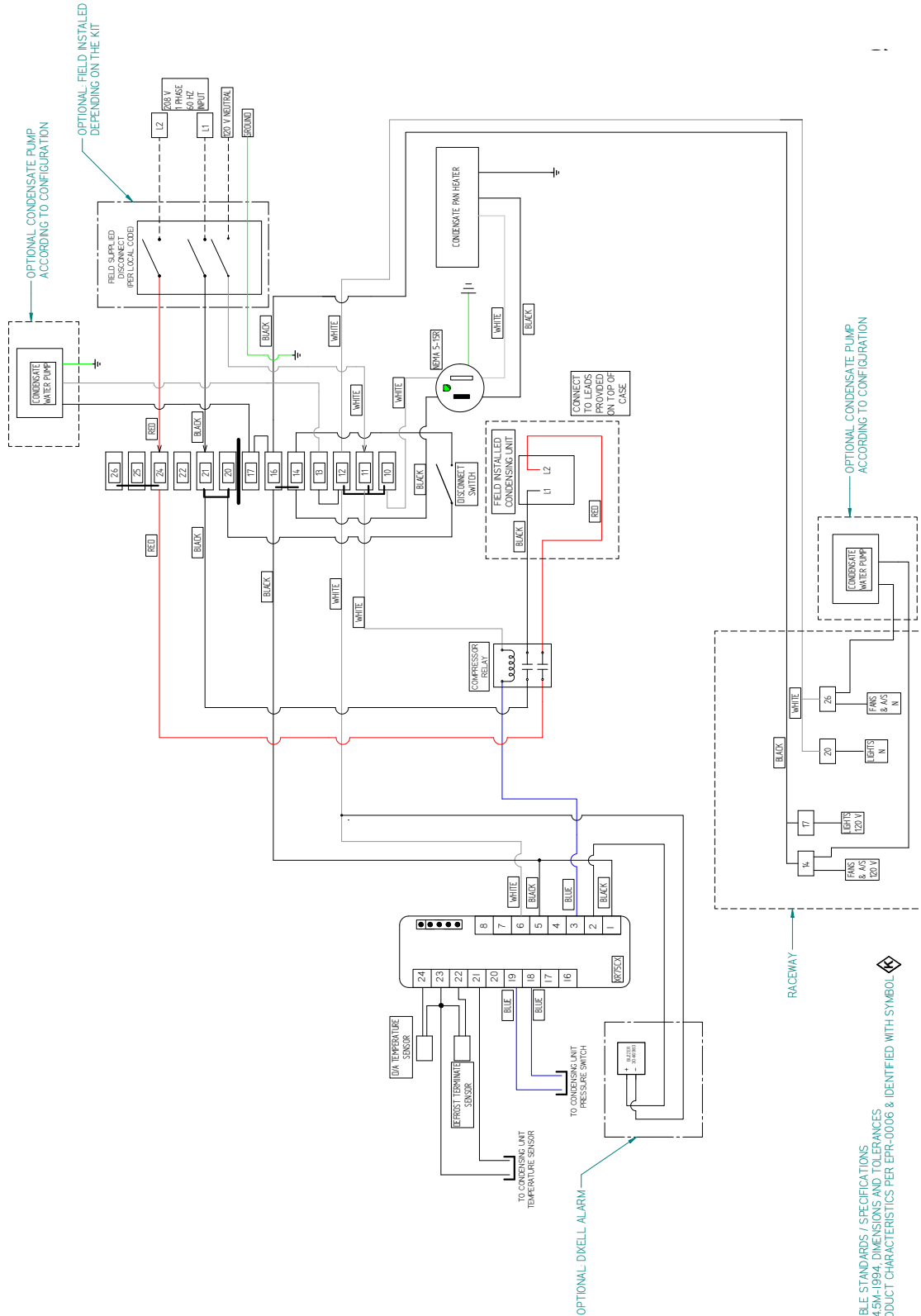
3056281 Q



- NOTES**
1. APPLICABLE STANDARDS / SPECIFICATIONS
ASME Y14.3M-1994, DIMENSIONS AND TOLERANCES
 2. KEY PRODUCT CHARACTERISTICS PER EPR-0006 & IDENTIFIED WITH SYMBOL

RFM,RFMN 4 & 5 Door Single Point
3056281 Q

Freedom Line
Air-Cooled Condensing Units
for Reach-in Cases

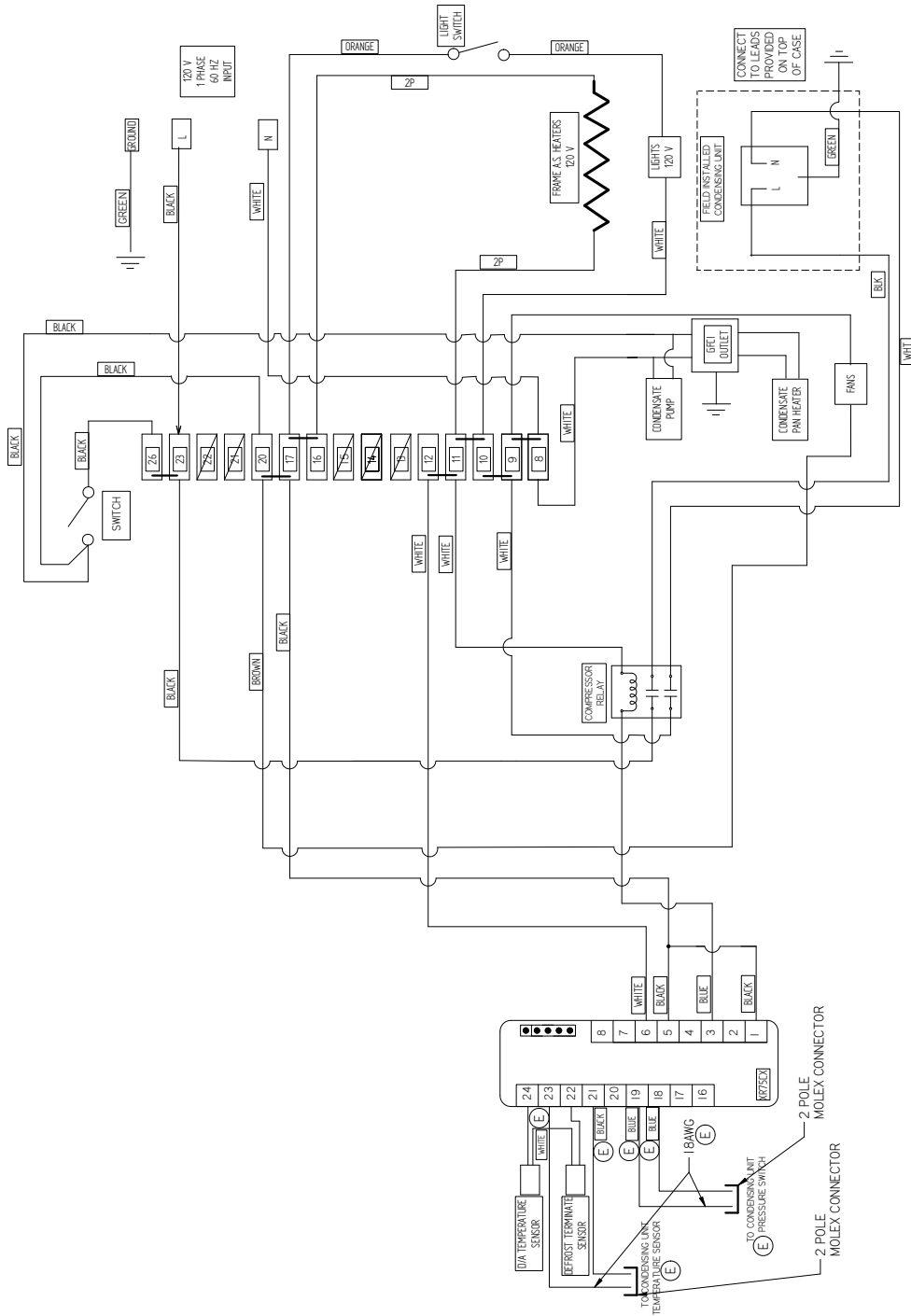


NOTES:
1. APPL CABLE STANDARDS / SPECIFICATIONS
ASME Y14.5M-1994, DIMENSIONS AND TOLERANCES
2. KEY PRODUCT CHARACTERISTICS PER EPR-0006 & IDENTIFIED WITH SYMBOL

RFMNS 2 & 3 Door Single Point

0540418 E

Freedom Line
Air-Cooled Condensing Units
for Reach-in Cases

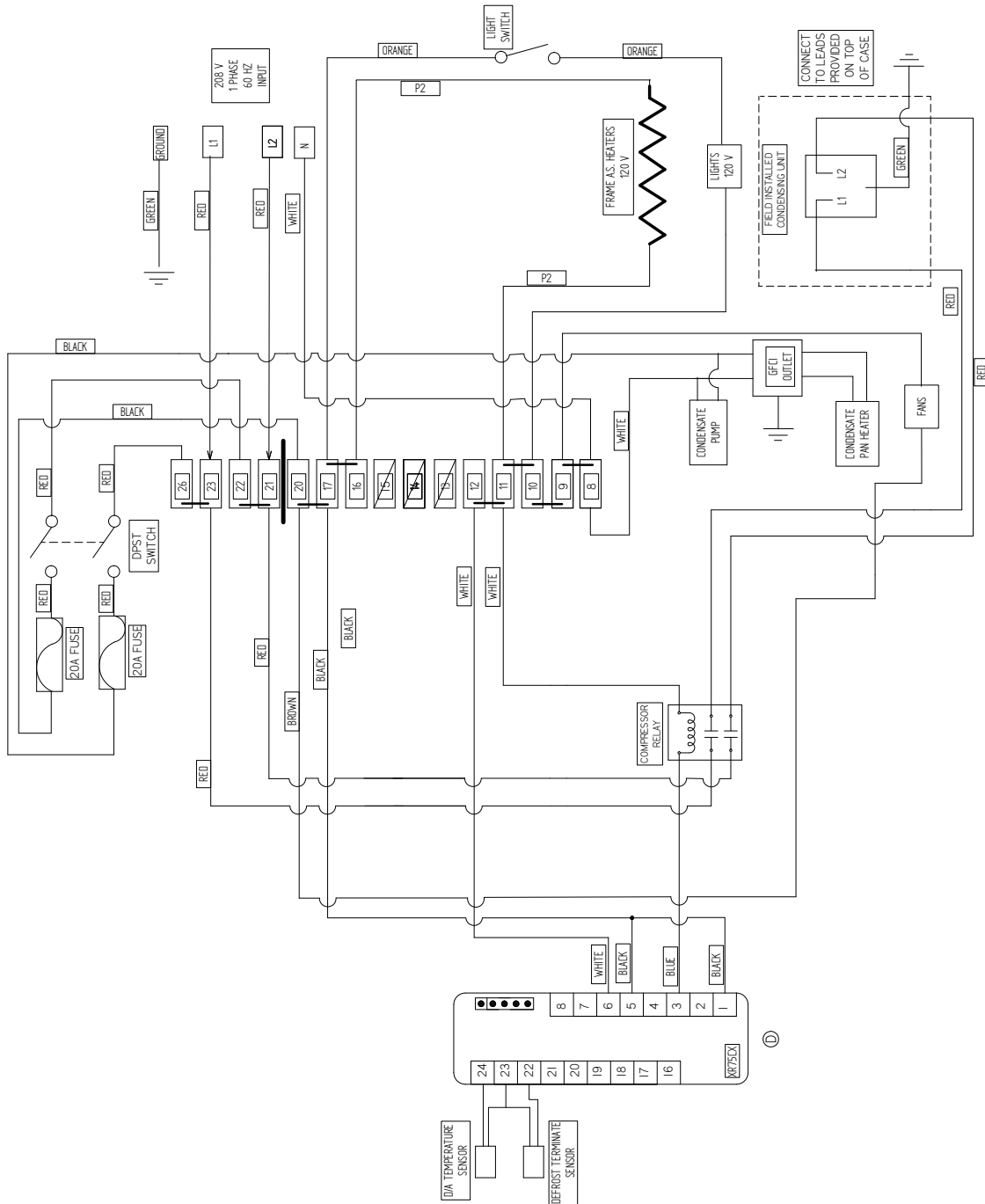


NOTES
1. APPLICABLE STANDARDS / SPECIFICATIONS
ASME Y14.5M-1994, DIMENSIONS AND TOLERANCES

Freedom Line
Air-Cooled Condensing Units
for Reach-in Cases

RFMNS 4 & 5 Door Single Point

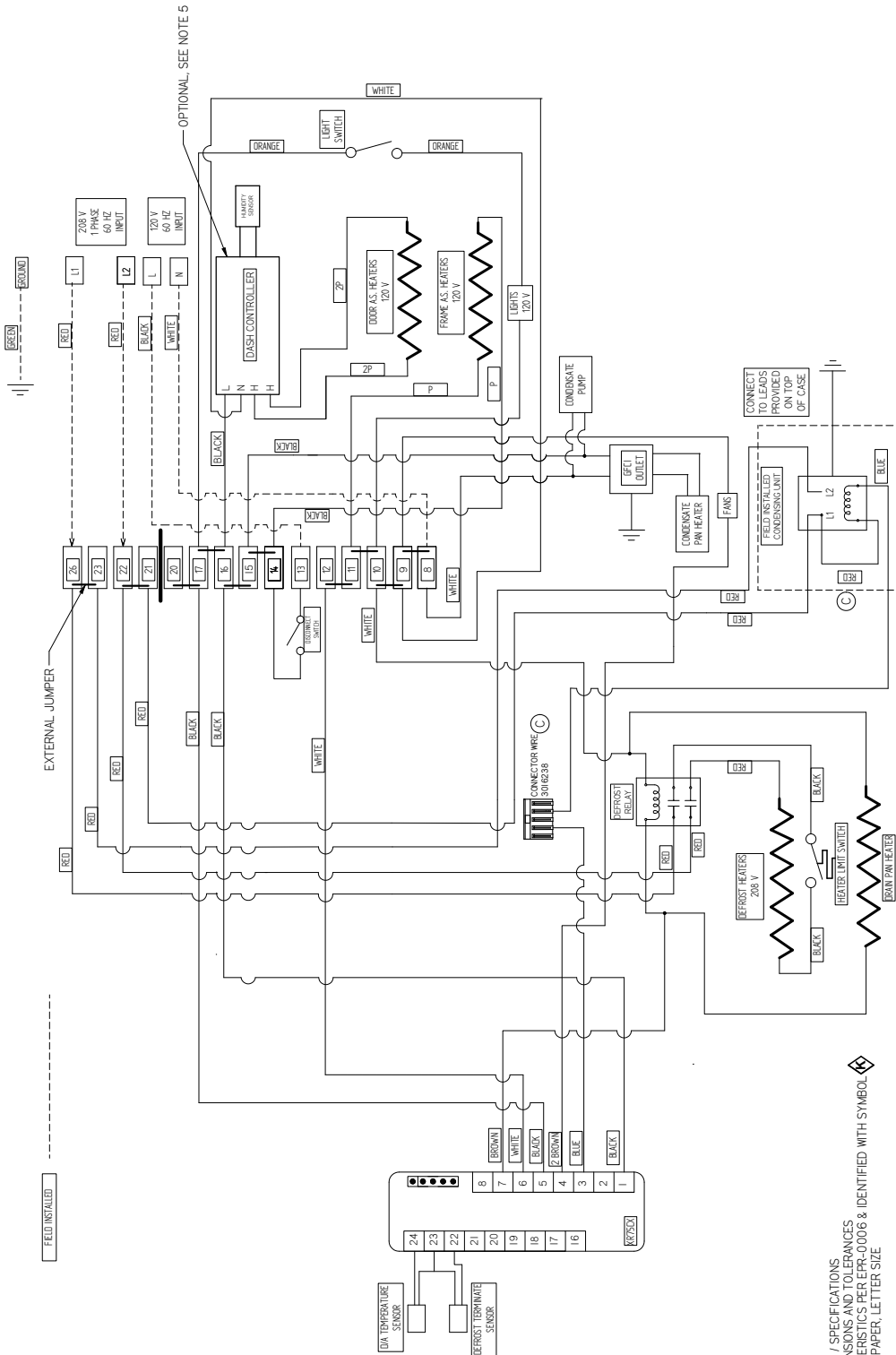
0539477 D



NOTES
 1. APPLICABLE STANDARDS / SPECIFICATIONS
 ASME Y14.5M-1994; DIMENSIONS AND TOLERANCES

RFLTM 2 - 5 Door Single Point
3023601 C

Freedom Line
Air-Cooled Condensing Units
for Reach-in Cases



- NOTES:
1. APPLICABLE STANDARDS / SPECIFICATIONS ASME Y14.5M-1994, DIMENSIONS AND TOLERANCES
 2. KEY PRODUCT CHARACTERISTICS PER EPR-0006 & IDENTIFIED WITH SYMBOL
 3. MATERIAL - WHITE BOND PAPER, LETTER SIZE
 4. REF. 0539476
 5. DASH CONTROLLER CAN BE OPTIONAL. IF IT IS NOT REQUIRED CONNECT AS FOLLOWS
DOOR LINE CONNECT TO TERMINAL BLOCK # 16
DOOR NEUTRAL CONNECT TO TERMINAL BLOCK # 9

<p>Freedom Line Air-Cooled Condensing Units for Reach-in Cases</p>

Case	Size	Kit	Copeland Number (ID)
RFL	1 Door	TA52	M6EL-H056-IAV-028
	2 Door	TJ78	FFAL-010Z-CFV-141 (TJ78)
	3 Door	TJ79	FFAL-013Z-PFV-141 (TJ79)
	4 Door	TA45	FFAL-017Z-PFV-141 (TA45)
	5 Door	TA45	FFAL-017Z-PFV-141 (TA45)
RFM	2 Door	TA47	M6EM-0020-IAA-121
	3 Door	TA46	M6EM-0023-IAA-121
	4 Door	TA49	M6ZM-0025-IAV-121
	5 Door	TJ81	M6ZM-0038-IAV-121
RFLTM	2 Door	TA43	FFAL-010Z-CFV-141 (TA43)
	3 Door	TA51	FFAL-0172-PFV-141 (TA51)
	4 Door	TJ80	FFAL-017Z-PFV-141 (TJ80)
	5 Door	TJ80	FFAL-017Z-PFV-141 (TJ80)
RFLNS	2 Door	TA43	FFAL-010Z-CFV-141 (TA43)
	3 Door	TA44	FFAL-013Z-PFV-141 (TA44)
	4 Door	TJ80	FFAL-017Z-PFV-141 (TJ80)
	5 Door	TJ80	FFAL-017Z-PFV-141 (TJ80)
RFMNS	2 Door	TA50	M6EM-0020-IAA-028
	3 Door	TA48	M6EM-0023-IAA-028
	4 Door	TJ77	M6ZM-0025-IAV-078
	5 Door	TJ82	M6ZM-0038-IAV-078