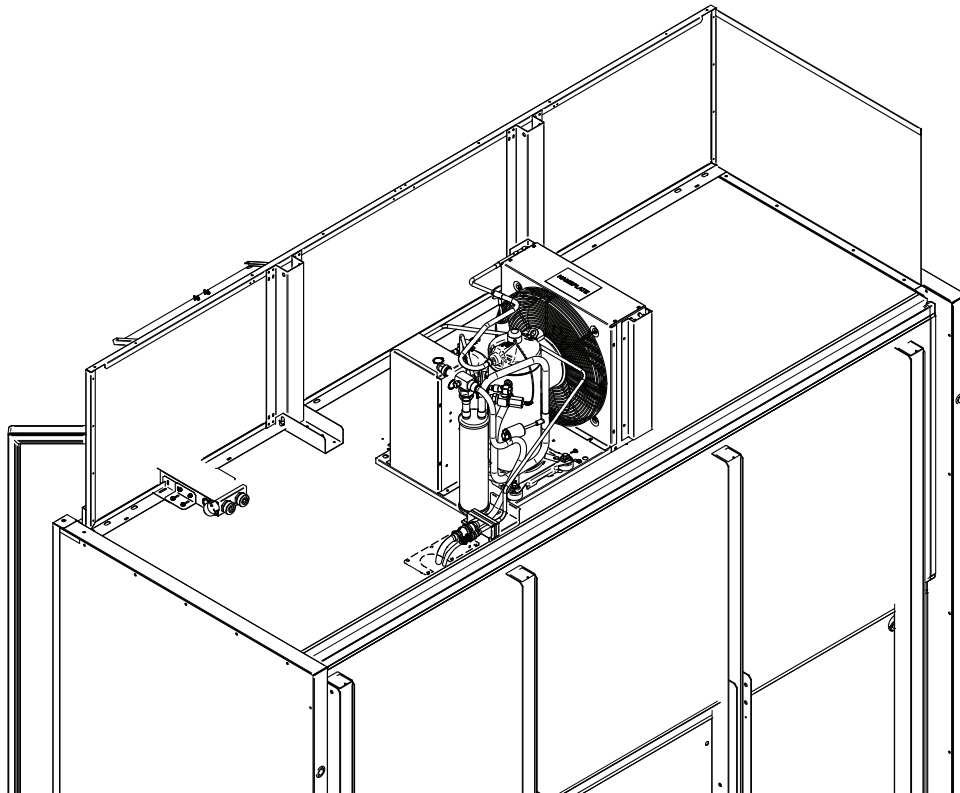


# HUSSMANN®

## Reach-In Freedom Air-Cooled Condensing Units

Technical Data Sheet  
P/N 3049063\_K  
April 2022



Scan the QR code with your mobile device to access additional product information or order parts.

Parts may also be ordered at:

[parts.hussmann.com](http://parts.hussmann.com)

Call toll free: 1.855.487.7778

We reserve the right to change or revise specifications and product design in connection with any feature of our products. Such changes do not entitle the buyer to corresponding changes, improvements, additions or replacements for equipment previously sold or shipped.

Datasheet-Freedom Line Condensing Units

**R448A**

Note: Revision K: Updated wiring diagrams and performance data.

<b>Freedom Line</b> <b>Air-Cooled Condensing Units</b> <b>for Reach-in Cases</b>
--

Application	RFL/RFLN/RFLNS						
	1 Door	1 Door	2 Door	3 Door	4 Door	5 Door	
<b>SINGLE POINT CIRCUIT</b>	<b>120V, 1 Phase, 2 Wire</b>	<b>208V, 1 Phase, 4 Wire</b>	<b>208V, 1 Phase, 4 Wire</b>	<b>208V, 1 Phase, 4 Wire</b>	<b>208V, 1 Phase, 4 Wire</b>	<b>208V, 1 Phase, 4 Wire</b>	
Maximum Overcurrent Protection Device (MOPD)							
	<b>RFL, RFLN</b>	20	20	20	25	40	40
	<b>RFLNS</b>	--	--	20	20	35	40
Minimum Circuit Ampacity (MCA)							
	<b>RFL, RFLN</b>	16.3	13.3	17.3	22.5	29.0	33.8
	<b>RFLNS</b>	--	--	15.5	20.5	26.4	32.2
<b>Condensing Unit</b>							
Voltage/ 60Hz / 1 Phase	120V	208/230	208/230	208/230	208/230	208/230	
Compressor RLA	6.3	4.3	6.1	7.4	13.9	13.9	
LRA	40	23	42.3	40.3	75	75	
R448A Charge (lbs)(Condensing unit only)	0.33	1.4	5.1	5.1	5.1	5.1	
Total Working Charge (case + condensing unit, lbs):	0.67	2.3	6.0	6.5	6.9	7.4	
Oil Recharge (oz)	12	19	19	19	19	19	
Heat of Rejection (Btu/hr)	1,942	2,451	4,804	6,509	8,438	10,548	
<b>Refrigerant Connections (inches)</b>							
Liquid Line	3/8	3/8	3/8	3/8	3/8	3/8	
Suction Line	3/8	5/8	5/8	5/8	5/8	5/8	
<b>Dimensions (inches)</b>							
Height	11.5	11.9	17.7	17.7	17.7	17.7	
Length	22.5	16.0	24.9	24.9	24.9	24.9	
Width	18	15.1	18.8	18.8	18.8	18.8	
<b>Shipping Weight (lbs)</b>	40	53	119	122	117	117	

NOTE: Includes fans, lights, controller, evaporator pan, a/s heaters, pump, condensing unit, and defrost heaters. Subtract 5 amps if heated condensate pan is not applied.

MCA and MOPD values may need to be adjusted for additional optional components.

1 door cases are available for either 120V and 208V single phase power supply. See page 14.

<b>Freedom Line</b> <b>Air-Cooled Condensing Units</b> <b>for Reach-in Cases</b>
--

Application	RFM/RFMN/RFMNS				
	1 Door	2 Door	3 Door	4 Door	5 Door
	120V			208V, 1 Phase, 4 Wire	
<b>SINGLE POINT CIRCUIT</b>					
Maximum Overcurrent Protection Device (MOPD)	10	20	20	20	20
Minimum Circuit Ampacity (MCA)					
<b>RFM, RFMN</b>	12.8	14.1	15.8	14.4	16.5
<b>RFMNS</b>	--	7.4	8.9	13.5	15.3
<b>Condensing Unit</b>					
Voltage/ 60Hz / 1 Phase	120	120	120	208/230	208/230
Compressor RLA	4.0	4.0	4.8	3.0	4.0
LRA	26.0	26.0	34.0	17.5	22.0
R448A Charge (lbs)(Condensing unit only)	0.33	0.7	0.7	0.7	0.7
Total Working Charge (case + condensing unit, lbs):	0.74	2.5	3.0	3.3	3.5
Oil Recharge (oz)	12	10	10	10	10
Heat of Rejection (Btu/hr)	835	1,656	2,548	3,331	4,164
<b>Refrigerant Connections (inches)</b>					
Liquid Line	3/8	3/8	3/8	3/8	3/8
Suction Line	3/8	5/8	5/8	5/8	5/8
<b>Dimensions (inches)</b>					
Height	11.5	10.5	10.5	11.7	11.7
Length	21.5	16.0	16.0	16.5	16.6
Width	18	14.3	14.3	13.1	13.1
<b>Shipping Weight (lbs)</b>	40	40	44	45	40

NOTE: Includes fans, lights, controller, evaporator pan, a/s heaters, pump, condensing unit, and defrost heaters. Subtract 5 amps if heated condensate pan is not applied.

MCA and MOPD values may need to be adjusted for additional optional components.

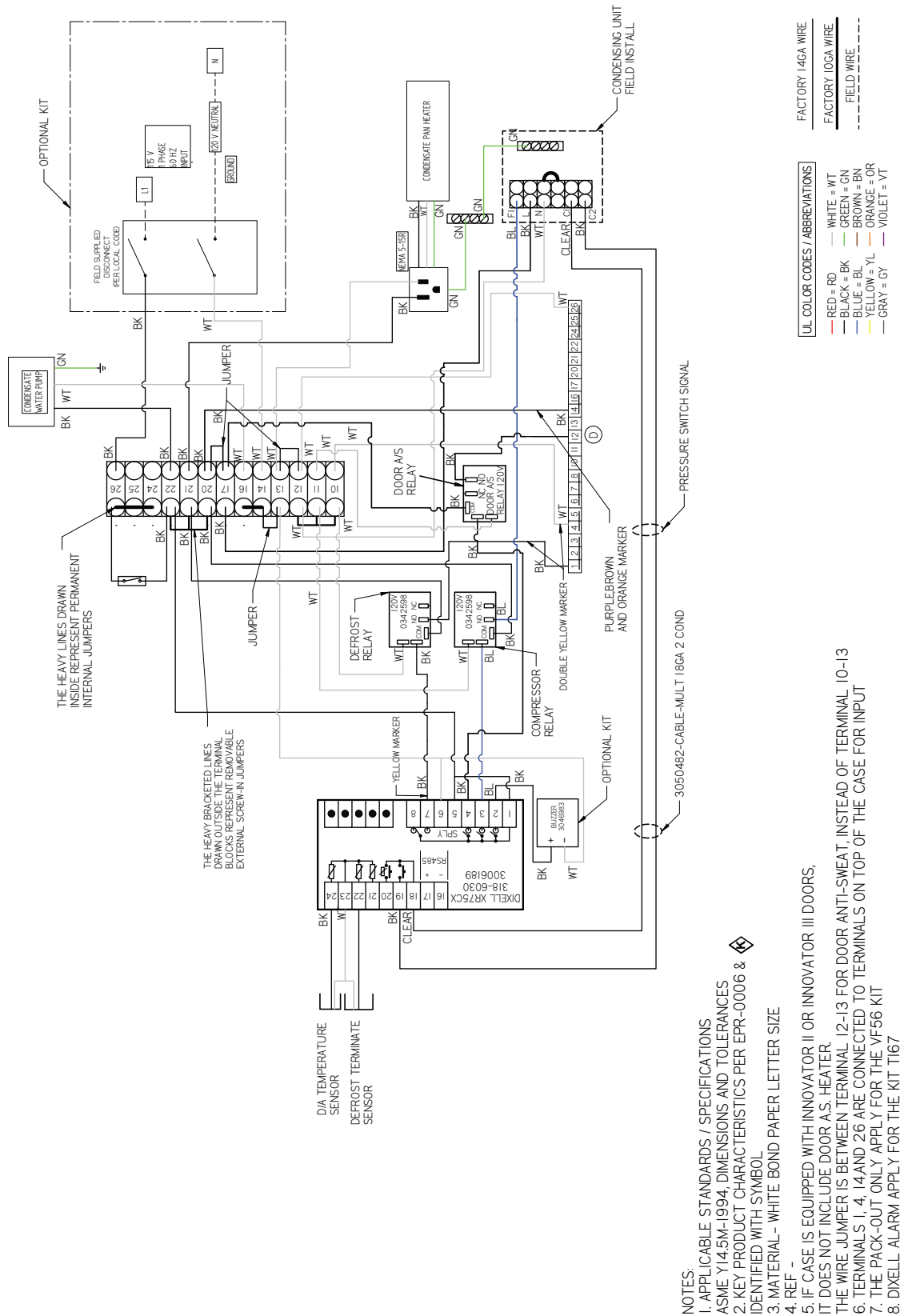
<b>Freedom Line</b> <b>Air-Cooled Condensing Units</b> <b>for Reach-in Cases</b>
--

Application	RFLTM			
	2 Door	3 Door	4 Door	5 Door
<b>MULTI-POINT WIRING</b> (Standard for RFL,RFLN,RFLTM)				
<b>Circuit 1</b> (120V, 1 Phase) <b>Fans, Lights, Controller, Evaporator Pan, A/S Heaters Pump</b>				
Maximum Overcurrent Protection Device (MOPD)	<b>*See Case Data Sheet*</b>			
Minimum Circuit Ampacity (MCA):	<b>*See Case Data Sheet*</b>			
<b>Circuit 2</b> (208V, 1 Phase) <b>Condensing Unit and Defrost Heaters</b>				
Maximum Overcurrent Protection Device (MOPD)	15	15	30	30
Minimum Circuit Ampacity (MCA)	9.5	12.3	18.8	18.8
<b>OPTIONAL SINGLE POINT CIRCUIT</b> (208V, 1 Phase, 4 Wire)				
Maximum Overcurrent Protection Device (MOPD)	--	--	--	--
Minimum Circuit Ampacity (MCA)	--	--	--	--
<b>Condensing Unit</b>				
Voltage/ 60Hz / 1 Phase	208/230	208/230	208/230	208/230
Compressor RLA	6.1	8.7	13.9	13.9
LRA	42.3	55.0	75	75
R448A Charge (lbs)(Condensing unit only)	5.1	5.1	5.1	5.1
Total Working Charge (case + condensing unit, lbs):	6.0	6.5	6.9	7.4
Oil Recharge (oz)	19	19	19	19
Heat of Rejection (Btu/hr)	1,987	3,057	3,997	4,997
<b>Refrigerant Connections</b> (inches)				
Liquid Line	3/8	3/8	3/8	3/8
Suction Line	5/8	5/8	5/8	5/8
<b>Dimensions</b> (inches)				
Height	17.7	17.7	17.7	17.7
Length	24.9	24.9	24.9	24.9
Width	18.8	18.8	18.8	18.8
<b>Shipping Weight</b> (lbs)	119	118	117	117

# RFL, RFLN 120 V 1 Door

3142978 D

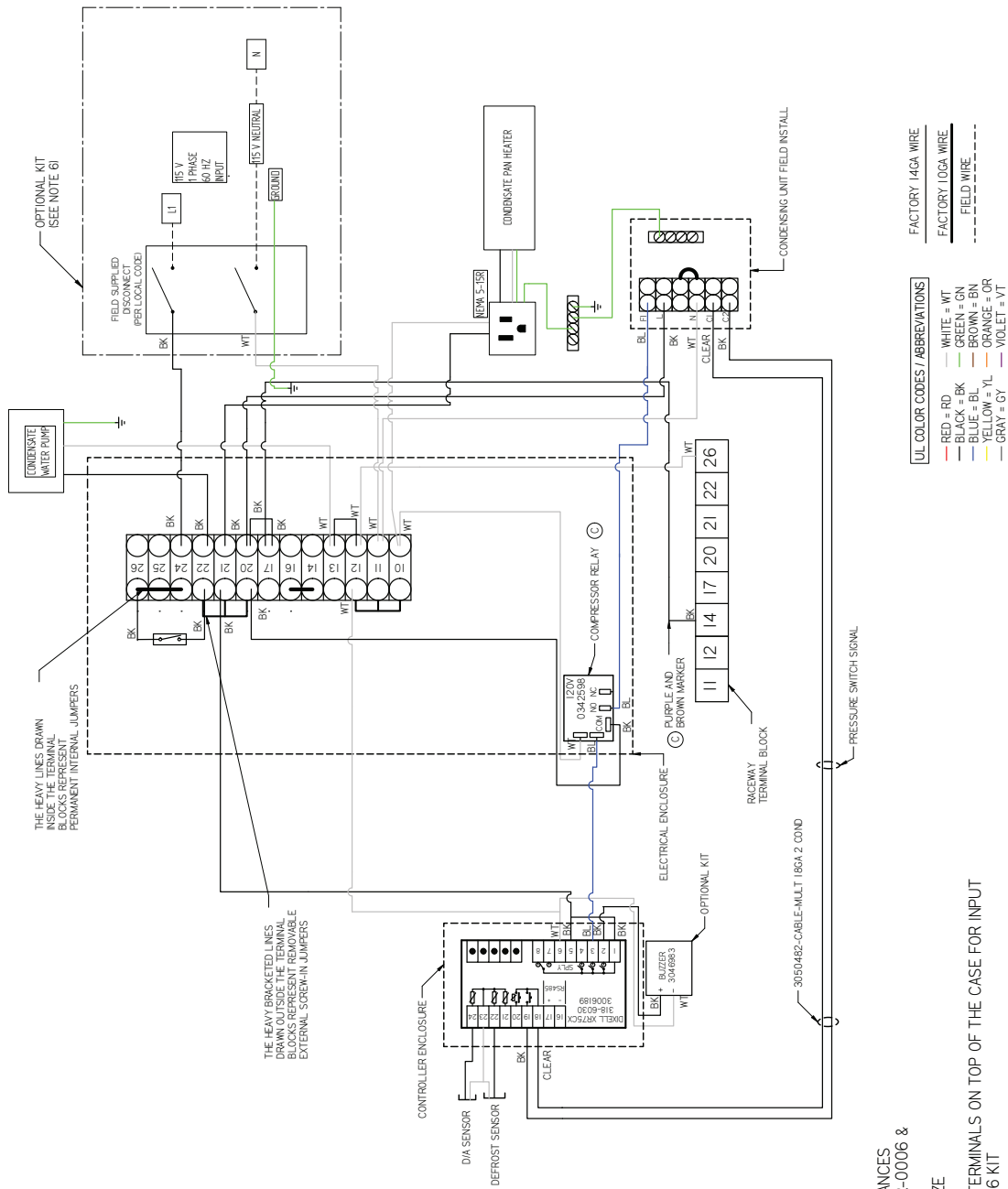
# Freedom Line Air-Cooled Condensing Units for Reach-in Cases



**Freedom Line**  
**Air-Cooled Condensing Units**  
**for Reach-in Cases**

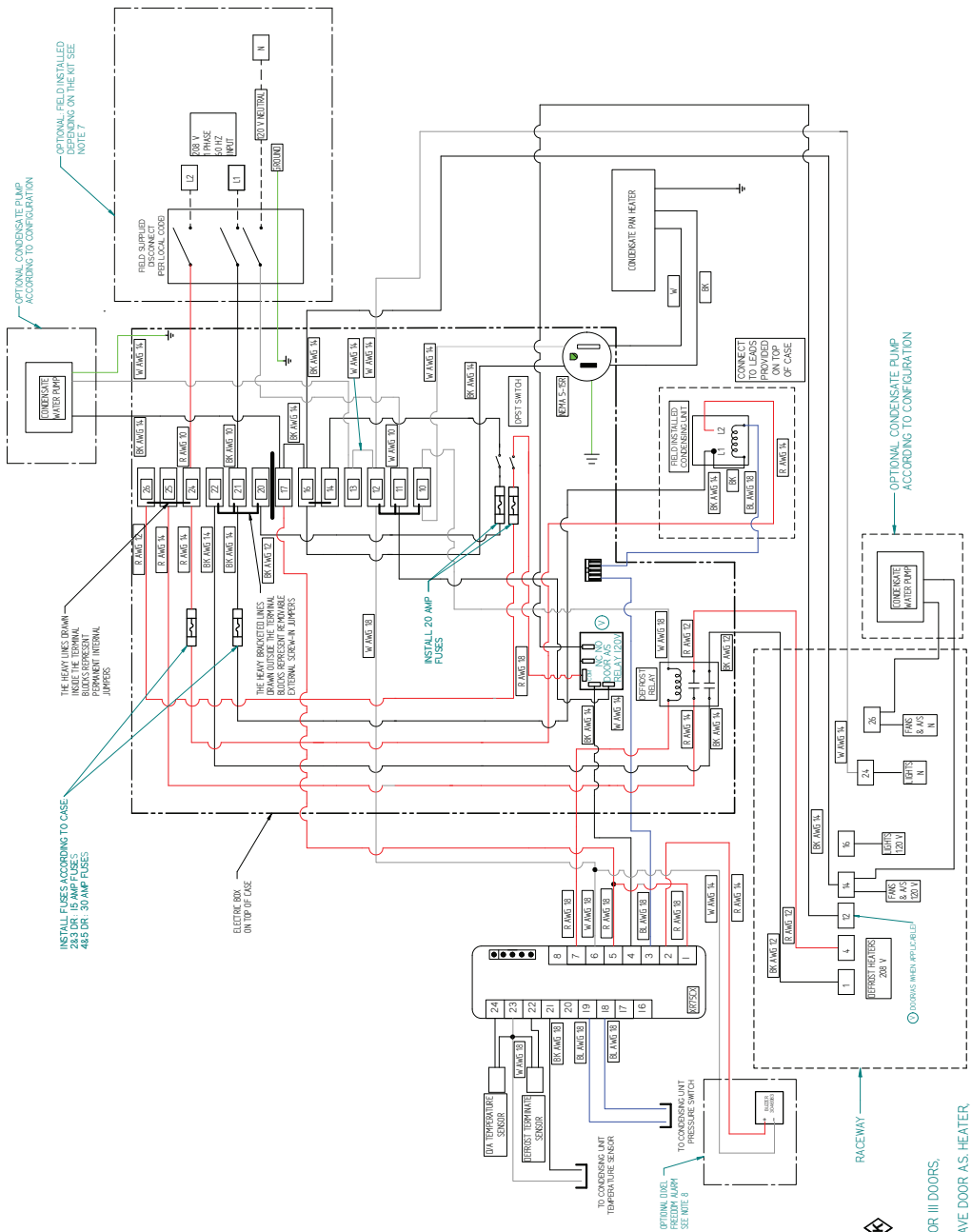
**RFM, RFMN 120 V 1 Door**

**3142979 C**



**RFL,RFLN 1 - 5 Door  
Single Point 208V  
3055656 V**

**Freedom Line  
Air-Cooled Condensing Units  
for Reach-in Cases**



OPTIONAL FIELD INSTALLED  
DEPENDING ON THE KIT SEE  
NOTE 7

OPTIONAL CONDENSATE PUMP  
ACCORDING TO CONFIGURATION

THE HEAVY LINES DRAWN  
INSIDE THE TERMINAL  
BLOCKS REPRESENT  
HEAVY INTERNAL  
JUMPS

INSTALL FUSES ACCORDING TO CASE  
20A OR 15 AMP FUSES  
485 OR 30 AMP FUSES

ELECTRIC BOX  
ON TOP OF CASE

INSTALL 20 AMP  
FUSES

UA TEMPERATURE  
SENSOR  
RPT REFRIGERANT  
TEMPERATURE SENSOR  
C CONDENSING UNIT  
TEMPERATURE SENSOR  
P TO CONDENSING UNIT  
PRESSURE SWITCH  
OPTIONAL DOOR  
LOCK  
SEE NOTE 8

TO CONDENSING UNIT  
PRESSURE SWITCH

CONDENSATE PUMP  
HEATER

CONDENSATE PUMP  
HEATER

CONDENSATE PUMP  
HEATER

CONDENSATE PUMP  
HEATER

CONDENSATE PUMP  
HEATER

CONDENSATE PUMP  
HEATER

CONDENSATE PUMP  
HEATER

CONDENSATE PUMP  
HEATER

CONDENSATE PUMP  
HEATER

CONDENSATE PUMP  
HEATER

CONDENSATE PUMP  
HEATER

CONDENSATE PUMP  
HEATER

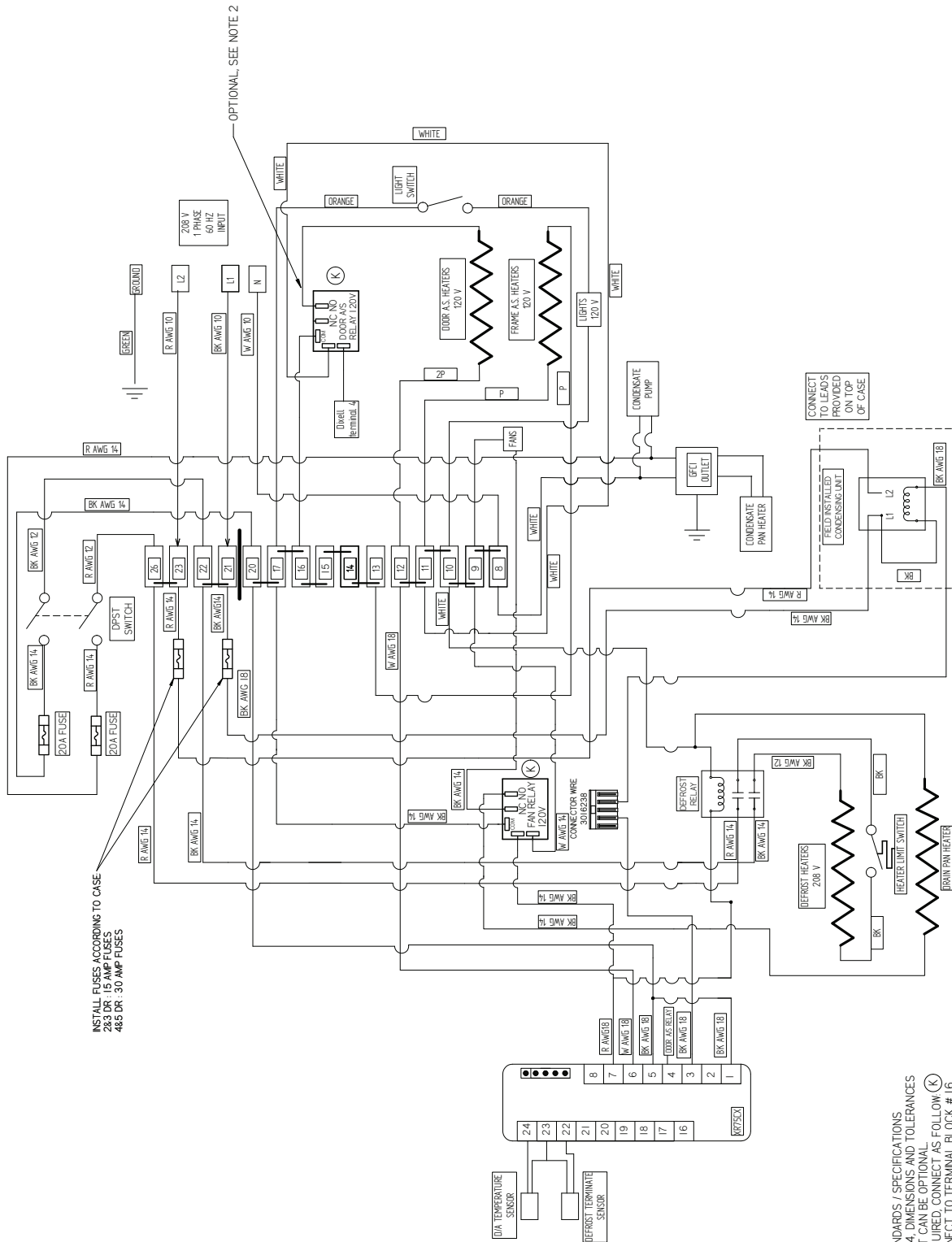
CONDENSATE PUMP  
HEATER

- NOTES
1. APPLICABLE STANDARDS / SPECIFICATIONS  
ASME Y14.5M-1994 DIMENSIONS AND TOLERANCES  
2. KEY PRODUCT CHARACTERISTICS PER EPR-0006 &  
IDENTIFIED WITH SYMBOL
  3. MATERIAL - N/A
  4. IF CASE IS EQUIPPED WITH INNOVATOR II OR INNOVATOR III DOORS,  
IT DOES NOT INCLUDE ANTISEMIT.
  5. IF CASE IS EQUIPPED WITH INNOVATOR II IT WILL NOT HAVE DOOR AS HEATER  
THE WIRING TO TERMINAL 12 AND 21 AND THE XRT5 TERMINAL 4 TO TERMINAL 12 IS ELIMINATED
  6. IF CASE IS EQUIPPED WITH INNOVATOR III  
THE WIRING FROM XRT5 TERMINAL 4 TO TERMINAL 12 IS ELIMINATED AND A JUMPER BE NEEDED TO BOTTOM RACEWAY BETWEEN TERMINAL 12 AND 13
  7. TERMINALS 1, 4, 10, 14, 17, 20, AND 26 ARE CONNECTED TO TERMINALS ON TOP OF THE CASE FOR INPUT
  8. THE PACK-OUT ONLY APPLY FOR THE V92 KIT  
DIXELL ALARM APPLY FOR THE KIT T167

**Freedom Line**  
**Air-Cooled Condensing Units**  
**for Reach-in Cases**

**RFLNS 2 - 5 Door Single Point**

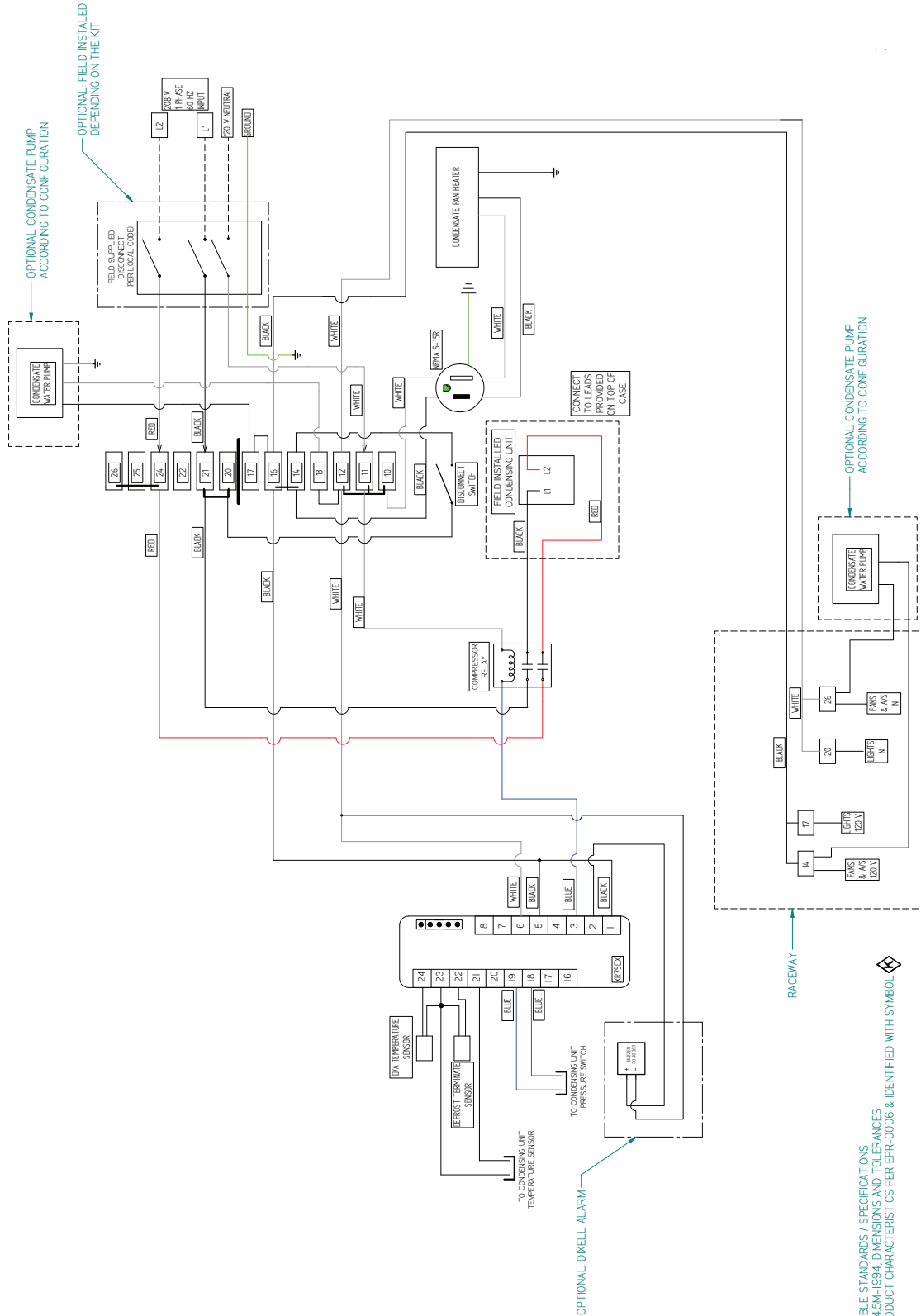
**0539476 K**





**RFM,RFMN 4 & 5 Door Single Point**  
**3056281 Q**

**Freedom Line**  
**Air-Cooled Condensing Units**  
**for Reach-in Cases**

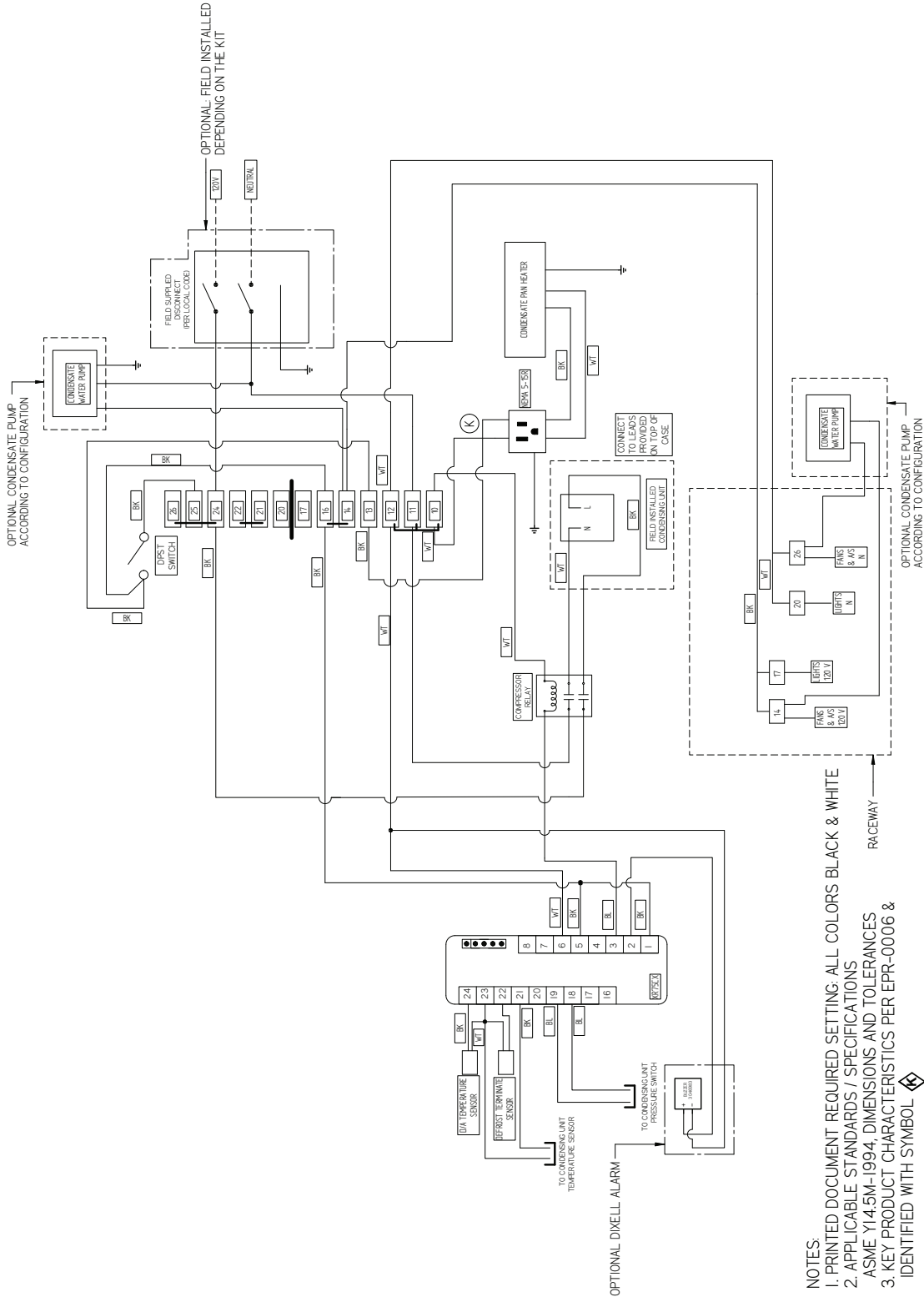


NOTES:  
1. APPL CABLE STANDARDS / SPECIFICATIONS  
ASME Y14.5M-1994, DIMENSIONS AND TOLERANCES  
2. KEY PRODUCT CHARACTERISTICS PER EPR-0006 & IDENTIFIED WITH SYMBOL

**Freedom Line**  
**Air-Cooled Condensing Units**  
**for Reach-in Cases**

**RFM,RFMN 2 Door Single Point**

**3007295 K**

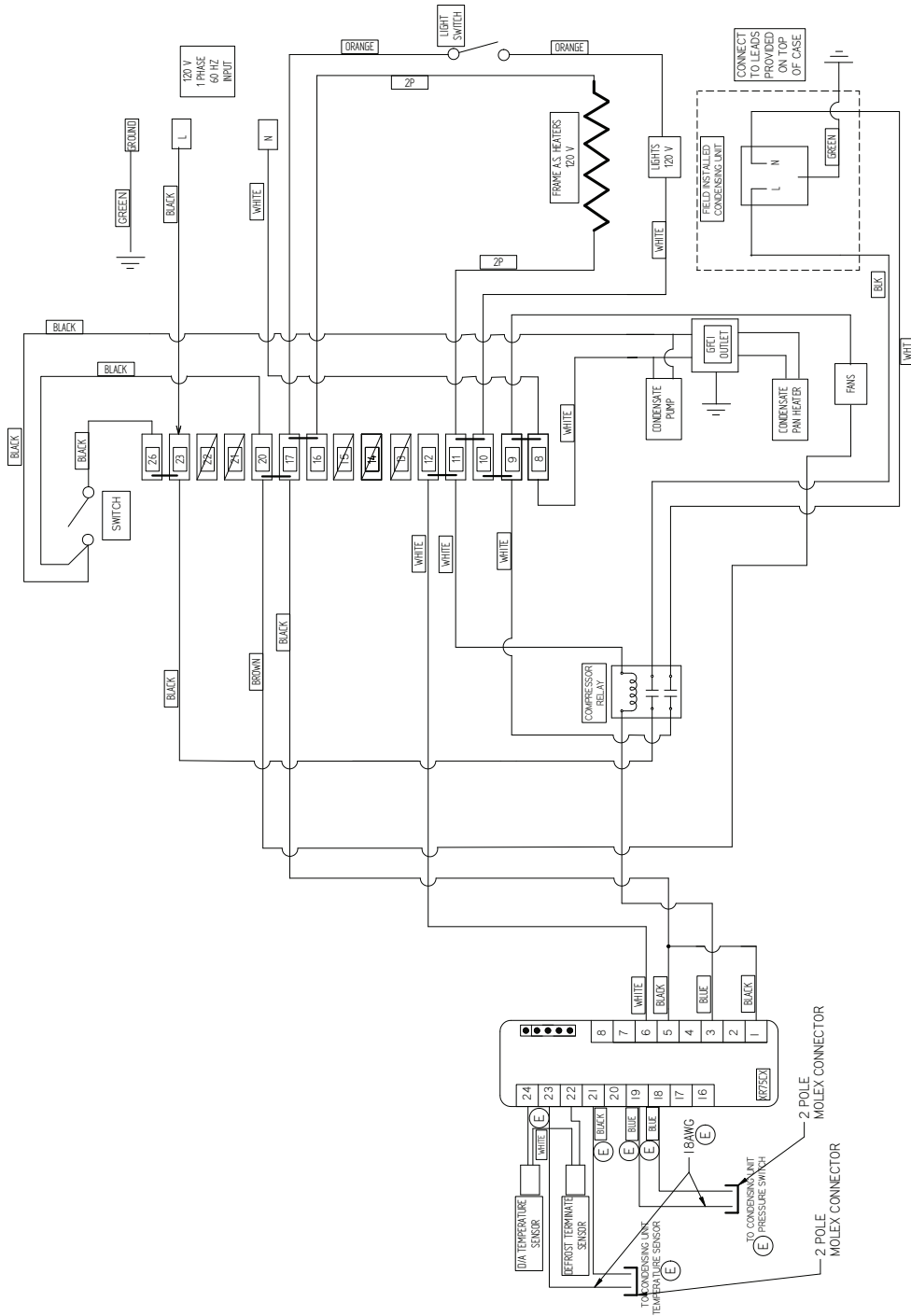


- NOTES:
1. PRINTED DOCUMENT REQUIRED SETTING: ALL COLORS BLACK & WHITE
  2. APPLICABLE STANDARDS / SPECIFICATIONS  
 ASME Y14.5M-1994; DIMENSIONS AND TOLERANCES
  3. KEY PRODUCT CHARACTERISTICS PER EPR-0006 & IDENTIFIED WITH SYMBOL 

# RFMNS 2 & 3 Door Single Point

0540418 E

**Freedom Line**  
Air-Cooled Condensing Units  
for Reach-in Cases

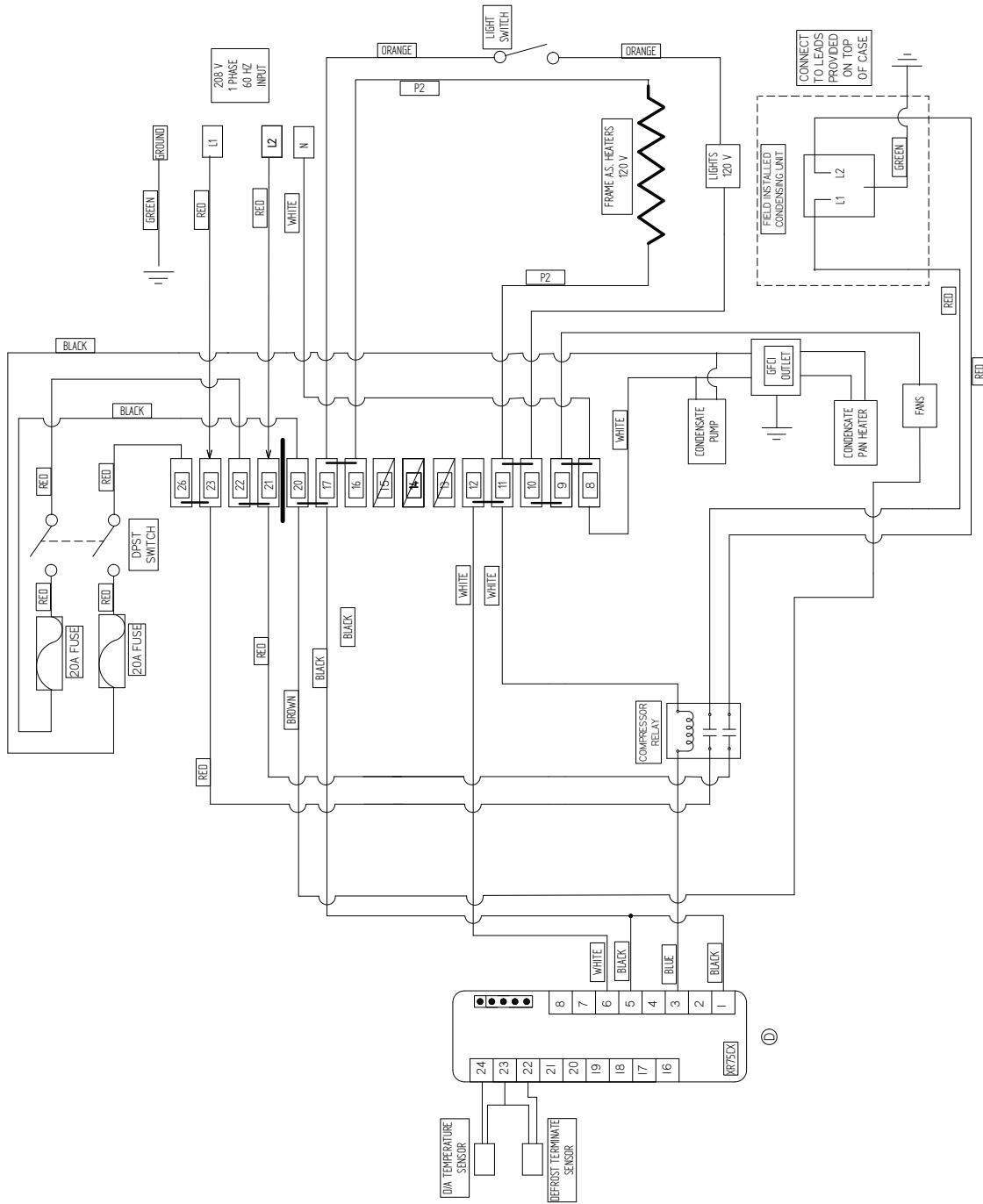


NOTES  
1. APPLICABLE STANDARDS / SPECIFICATIONS  
ASME Y14.5M-1994, DIMENSIONS AND TOLERANCES

**Freedom Line**  
**Air-Cooled Condensing Units**  
**for Reach-in Cases**

**RFMNS 4 & 5 Door Single Point**

**0539477 D**

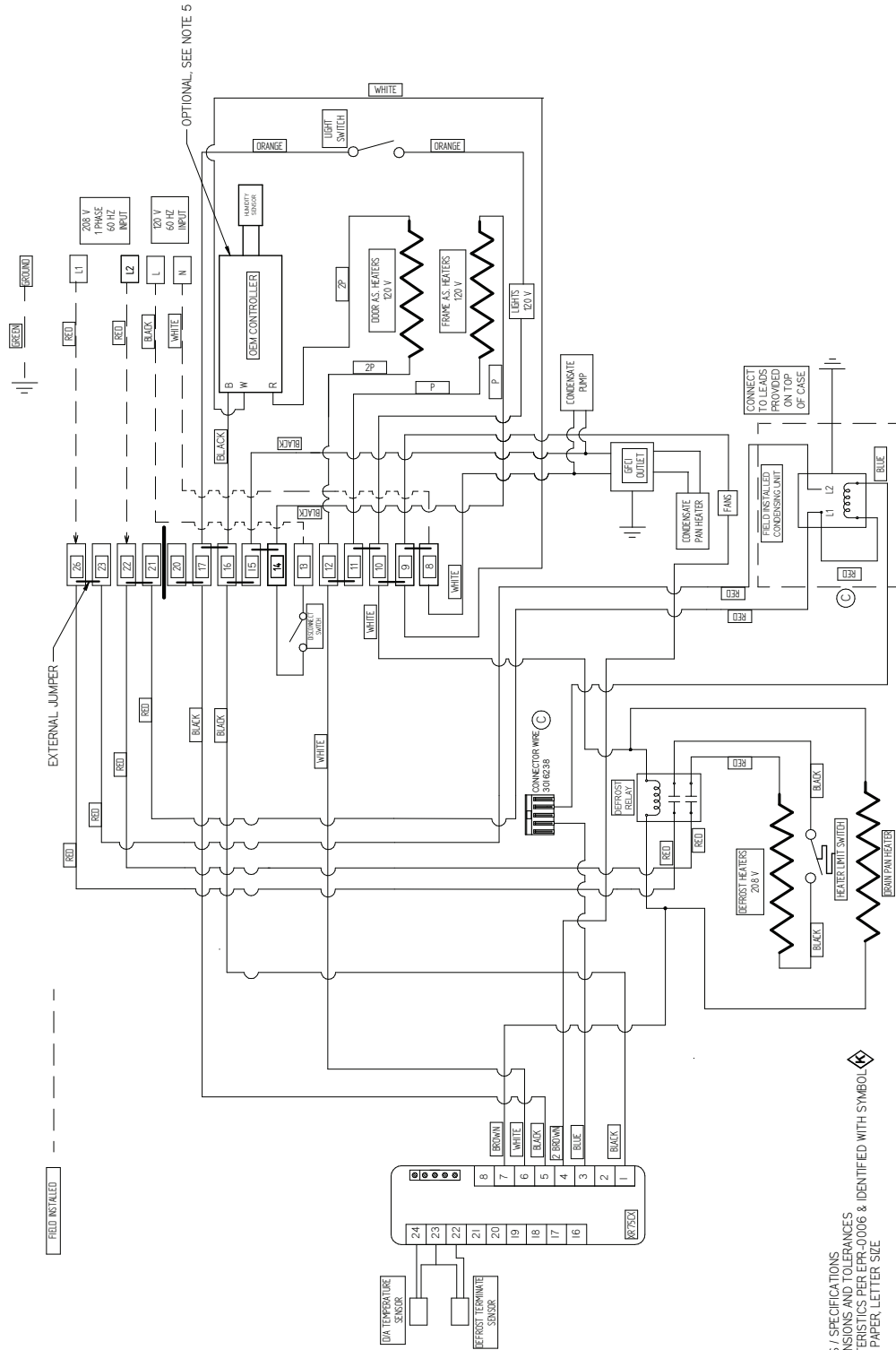


NOTES:  
 1. APPLICABLE STANDARDS / SPECIFICATIONS  
 ASME Y14.5M-1994; DIMENSIONS AND TOLERANCES

# RFLTM 2 - 5 Door Single Point

## 3023601 D

### Freedom Line Air-Cooled Condensing Units for Reach-in Cases



- NOTES:
1. APPLICABLE STANDARDS / SPECIFICATIONS: ASME Y14.5M-1994. DIMENSIONS AND TOLERANCES
  2. KEY PRODUCT CHARACTERISTICS PER EPR-0006 & IDENTIFIED WITH SYMBOL
  3. MATERIAL - WHITE BOND PAPER LETTER SIZE
  4. REF 0539476
  5. DASH LINE CONNECT CAN BE OPTIONAL. IF IT IS NOT REQUIRED, CONNECT AS FOLLOWS:  
DOOR LINE CONNECT TO TERMINAL BLOCK # 16  
DOOR NEUTRAL CONNECT TO TERMINAL BLOCK # 9

<b>Freedom Line</b> <b>Air-Cooled Condensing Units</b> <b>for Reach-in Cases</b>
--

Case	Size	Kit	Condensing Unit ID
<b>RFL</b>	1 Door	YG36	HN007LTR (120V)
	1 Door	TA52	M6EL-H056-IAV-028 (208V)
	2 Door	TJ78	FFAL-010Z-CFV-142
	3 Door	TJ79	FFAL-013Z-PFV-142
	4 Door	TA45	FFAL-017Z-PFV-142
5 Door	TA45	FFAL-017Z-PFV-142	
<b>RFM</b>	1 Door	YG37	HN002MTR (120V)
	2 Door	TA47	M6EM-0020-IAA-121
	3 Door	TA46	M6EM-0023-IAA-121
	4 Door	TA49	M6ZM-0025-IAV-121
	5 Door	TJ81	M6ZM-0038-IAV-121
<b>RFLTM</b>	2 Door	TA43	FFAL-010Z-CFV-142
	3 Door	TA51	FFAL-014Z-PFV-142
	4 Door	TJ80	FFAL-017Z-PFV-142
	5 Door	TJ80	FFAL-017Z-PFV-142
<b>RFLNS</b>	2 Door	TA43	FFAL-010Z-CFV-142
	3 Door	TA44	FFAL-013Z-PFV-142
	4 Door	TJ80	FFAL-017Z-PFV-142
	5 Door	TJ80	FFAL-017Z-PFV-142
<b>RFMNS</b>	2 Door	TA50	M6EM-0020-IAA-028
	3 Door	TA48	M6EM-0023-IAA-028
	4 Door	TJ77	M6ZM-0025-IAV-078
	5 Door	TJ82	M6ZM-0038-IAV-078