

# HUSSMANN<sup>®</sup>

## microSC<sup>™</sup>

# MD9871GIA

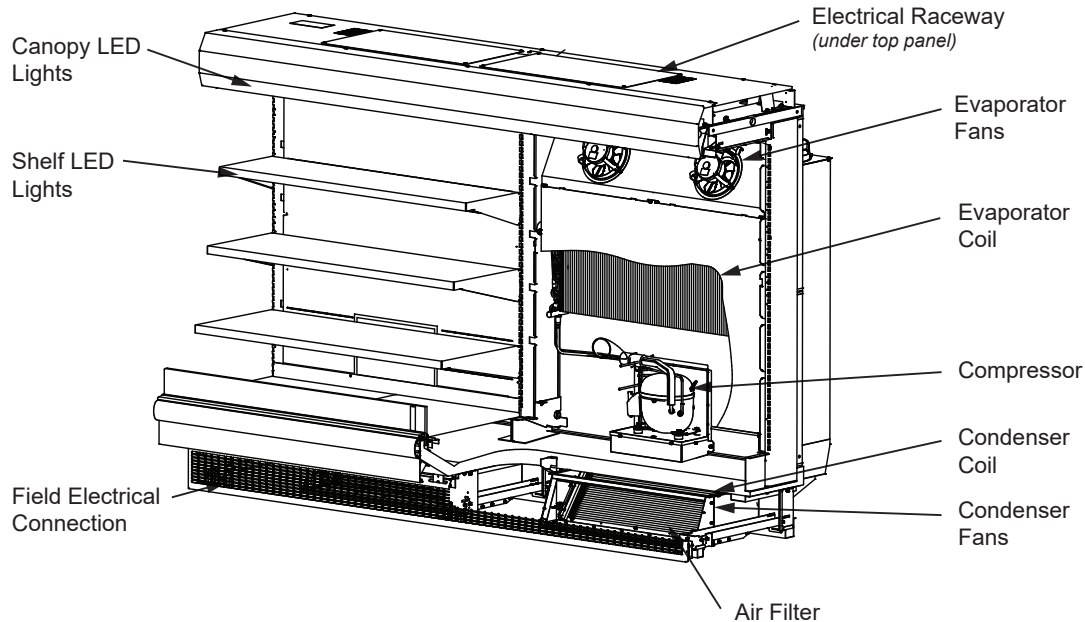
For Meat Applications  
Self-Contained  
Air-Cooled  
R-290

Merchandiser Data Sheet

P/N 3113142\_A

UL EPH<sup>®</sup> Certified

March 2020



Portion of parts removed for clarity

8 foot merchandiser shown above

### UL EPH Certification

This merchandiser model is manufactured to meet ANSI/SCC Standards requirements for construction, materials, and cleanability.

Performance Data	Page 2	Estimated Shipping Weights	Page 6
Product Data (AHRI Statistics)	Page 2	Shelf Options	Page 6
Cross Section	Page 3	Wiring Diagrams	Page 7
Plan View	Page 4	QR Code for Parts and Product Information	Page 9
Electrical Loads	Page 5	Revision History	Page 9

**⚠ WARNING**

Component parts shall be replaced with like components, and servicing shall be done by factory authorized service personnel only, so as to minimize the risk of possible ignition due to incorrect parts or improper service.

Data sheet-MD9871GIA

We reserve the right to change or revise specifications and product design in connection with any feature of our products. Such changes do not entitle the buyer to corresponding changes, improvements, additions or replacements for equipment previously sold or shipped.

# MD9871GIA

For Meat Applications

## Refrigeration Data <sup>1\*\*</sup>

		Meat Applications
Lit Shelves	Discharge Air °F (°C)	24 (-4.44)
	Deadband	8
	Total Heat of Rejection (BTU/hr) <sup>2</sup>	18,789
Condensing Unit	Capacity <sup>3</sup>	6,568
Evaporator Fan Speed	7.0" Fan Assembly	1,200
Condenser Fan Speed	8.25" Fan Assembly	1,800

### Notes:

1. All data based on store temperature and humidity that does not exceed NSF Type 1 ambient conditions of 75°F and 55% relative humidity except where noted.
2. Total Heat of Rejection listed for maximum design conditions, normal operating loads may be lower.
3. Condensing Unit Capacity is calculated at an evaporator temperature of 14°F and a condensing temperature of 94°F.

## Defrost Data

Frequency (hours between defrost)	4
Defrost Water <sup>4</sup>	7.8 kg/m/day 5.2 lb/ft/day
<sup>4</sup> (± 15% based on case configuration and product loading).	
Defrost Type	Offtime
Defrost Termination Time (minutes)	25
ELECTRIC OR GAS	Not Available

## Refrigerant Data

Refrigerant Type	R290		
Charge <sup>5</sup>	.33 lb	5.3 oz	150 g

<sup>5</sup> Maximum charge per condensing unit = 150 g.

## Product Data

Gross Refrigerated Volume <sup>6</sup> (Cu Ft/Ft)	11.6 ft <sup>3</sup> /ft (1.08 m <sup>3</sup> /m)
AHRI Total Display Area <sup>7</sup> (Sq Ft/Ft)	4.02 ft <sup>2</sup> /ft (0.37 m <sup>2</sup> /m)
Shelf Area <sup>8</sup> (Sq Ft/Ft)	9.85 ft <sup>2</sup> /ft (3.00 m <sup>2</sup> /m)

<sup>6</sup> AHRI Gross Refrigerated Volume: Refrigerated Volume/Unit of Length, ft<sup>3</sup>/ft [m<sup>3</sup>/m]

<sup>7</sup> Computed using AHRI 1200 standard methodology: Total Display Area, ft<sup>2</sup> [m<sup>2</sup>]/Unit of Length, ft [m]

<sup>8</sup> Shelf surface area is composed of bottom deck plus standard shelf complement for this model: (3) rows of shelves: 13, 16 and 19-inch

Excel Multideck Merchandiser, Tall, Glass Front,  
End Case, Air-Cooled, R-290, Self-Contained,  
4 Display Levels

**MD9871GIA**  
For Meat Applications

**DOE 2017**  
Energy Efficiency  
Compliant

Hussmann refrigerated merchandisers configured for sale for use in the United States meet or surpass the requirements of the DOE 2017 energy efficiency standards.

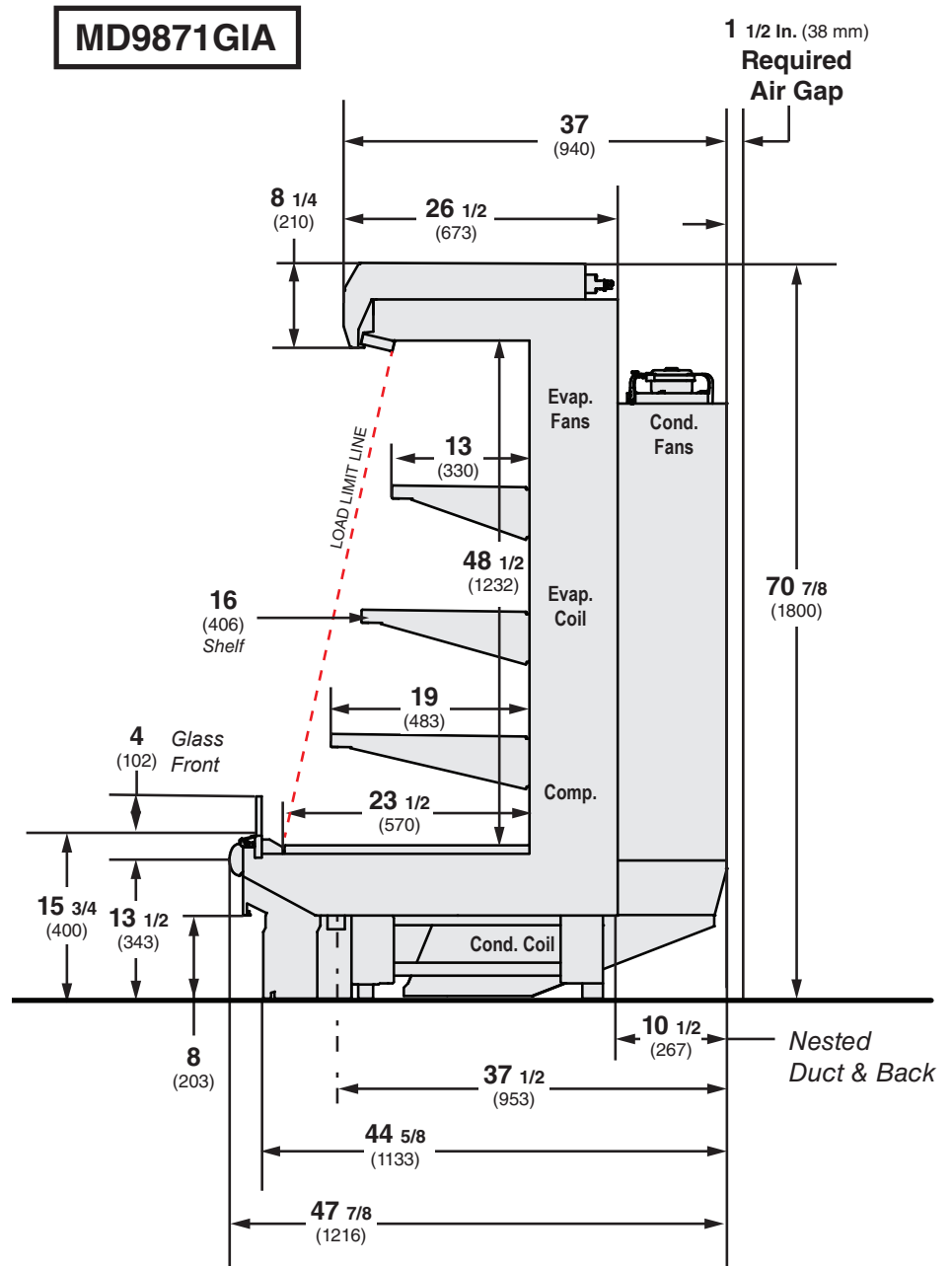
Shelf complement shown as tested:  
  
Three rows of shelves (13, 16 and 19-in.) spaced equally between bottom display pan and interior top panel.

Other optional kits may add to the overall case height.

A minimum 1 1/2 in. clearance required to remove raceway cover, 6 1/2 in. for full access. See the Installation manual for instructions.

4-in. between back to back cases.

Dimensions shown as in. and (mm).



**NOTE:** The factory installed power cord is located below the bumper on the left-front of the case.

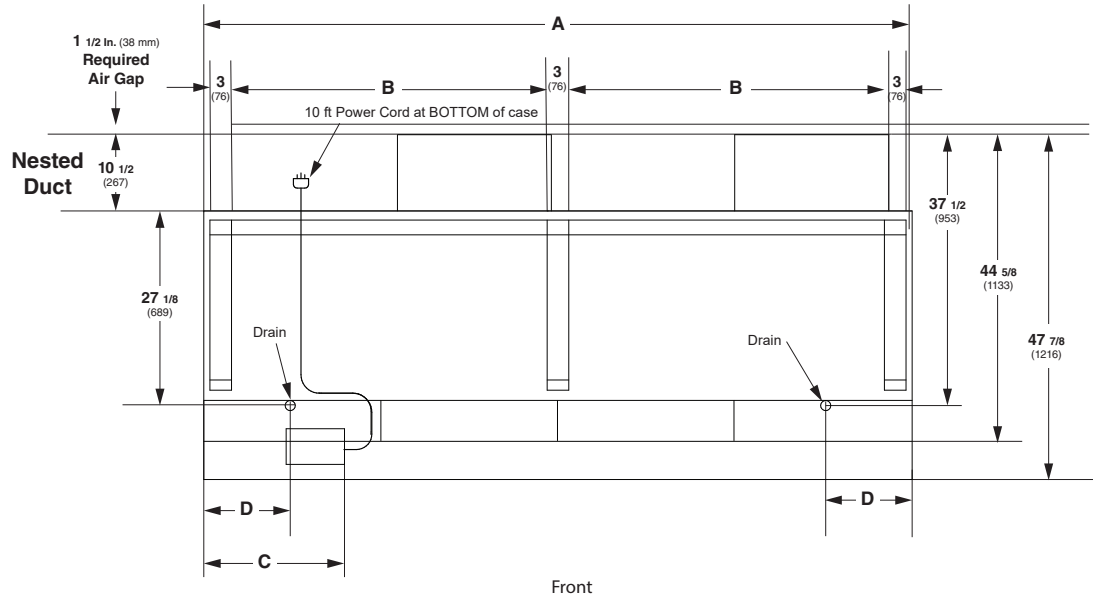
# MD9871GIA

For Meat Applications

# Engineering Plan View

Dimensions shown as in. and (mm).

**NOTE:** The factory installed power cord is located below the bumper on the left-front of the case.



(8 Foot Model Shown Above)

	8 ft
<b>General</b>	
(A) Case Length (without ends or partitions) (Each end and insulated partition adds 1 1/2 in. (38 mm) to case line up.)	98 3/8 (2498)
Maximum O/S dimension of case back to front (includes bumper)	47 7/8 (1216)
Back of case to front of splashguard	44 5/8 (1133)
(B) Distance between edges of external legs and center legs	43 7/8 (1114)
Distance between front legs and splashguard	8 3/8 (213)
<b>Electrical Service (Field Electrical Wiring Connection)</b>	
(C) LH End of case to Field Electrical Wiring Connection (bottom of case)	14 1/8 (359)
Back of case to Field Electrical Wiring Connection	42 5/8 (1083)
<b>Waste Outlets (one at each end)</b>	
(D) End of case to the center of waste outlet	12 (305)
Back O/S of case to center of waste outlet(s)	37 1/2 (953)
Schedule 40 PVC drip pipe	1 1/4 (32)

## Electrical Data

<b>Number of Fans</b>	<b>8 ft</b>
7.0-in.	4
8.25-in.	4

	<b>Amperes</b>	<b>Watts</b>
	<b>8 ft</b>	<b>8 ft</b>
<b>Evaporator Fans (4)</b>		
120V 50/60Hz Standard Energy Efficient	0.4	23
<b>Condenser Fans (4)</b>		
120V 50/60Hz Standard Energy Efficient	1.1	70

### Condensing Unit (120V, 1 Ph, 60Hz) Standard

NOTE: One compressor can start at a time.

Compressor RLA	5.3/per compressor
Compressor LRA	33.7/per compressor

### Merchandise Circuit Requirements (120V, 1 Ph, 60 Hz)

Total Amps	12.8
Minimum Circuit Amps (MCA)	15.0
Maximum Over Current Protection (MOCP)	20

### NEMA Plug

L14-20P

## Lighting

ONLY LIGHTING CONFIGURATIONS THAT ARE COMPLIANT WITH THE U.S. DEPT. OF ENERGY (DOE) 2017 REGULATION ARE AVAILABLE FOR SALE FOR USE IN THE U.S.A.

	<b>Amperes</b>	<b>Watts</b>
	<b>8 ft</b>	<b>8 ft</b>
<b>STANDARD LED LIGHTING</b>		
1 Row Canopy Lights	0.25	29.4
<b>OPTIONAL LED LIGHTING</b>		
<b>Shelf Lights</b>		
1 Row of Shelves	0.25	29.4
2 Row of Shelves	0.50	58.8
3 Row of Shelves	0.75	88.2

120V Lighting Circuit Total = Standard Lighting + Total Optional Lighting + Optional Shelf Lighting

# MD9871GIA

For Meat Applications

## ENDS or PARTITIONS

Each standard end and each insulated partition adds 1 1/2 in. (38 mm) to case line up. Optional view end with end bumper adds 3 3/4 in. (95 mm).

## PHYSICAL DATA

Merchandiser Drip Pipe (in.) 1 1/4  
Schedule 40 PVC

## ESTIMATED SHIPPING WEIGHT †

Case	8 ft	Solid End (each)
lb (kg)	1110 (504)	80 (36)

† Actual weights will vary according to optional kits included.

## Shelf Options

Approved shelf sizes for standard (horizontal, 2-3 position brackets) displays:

13-inch  
16-inch  
19-inch

Contact engineering for non-standard (4 position brackets or other) display recommendations.

Minimum number of Shelves: 3

Optimal number of Shelves: 4

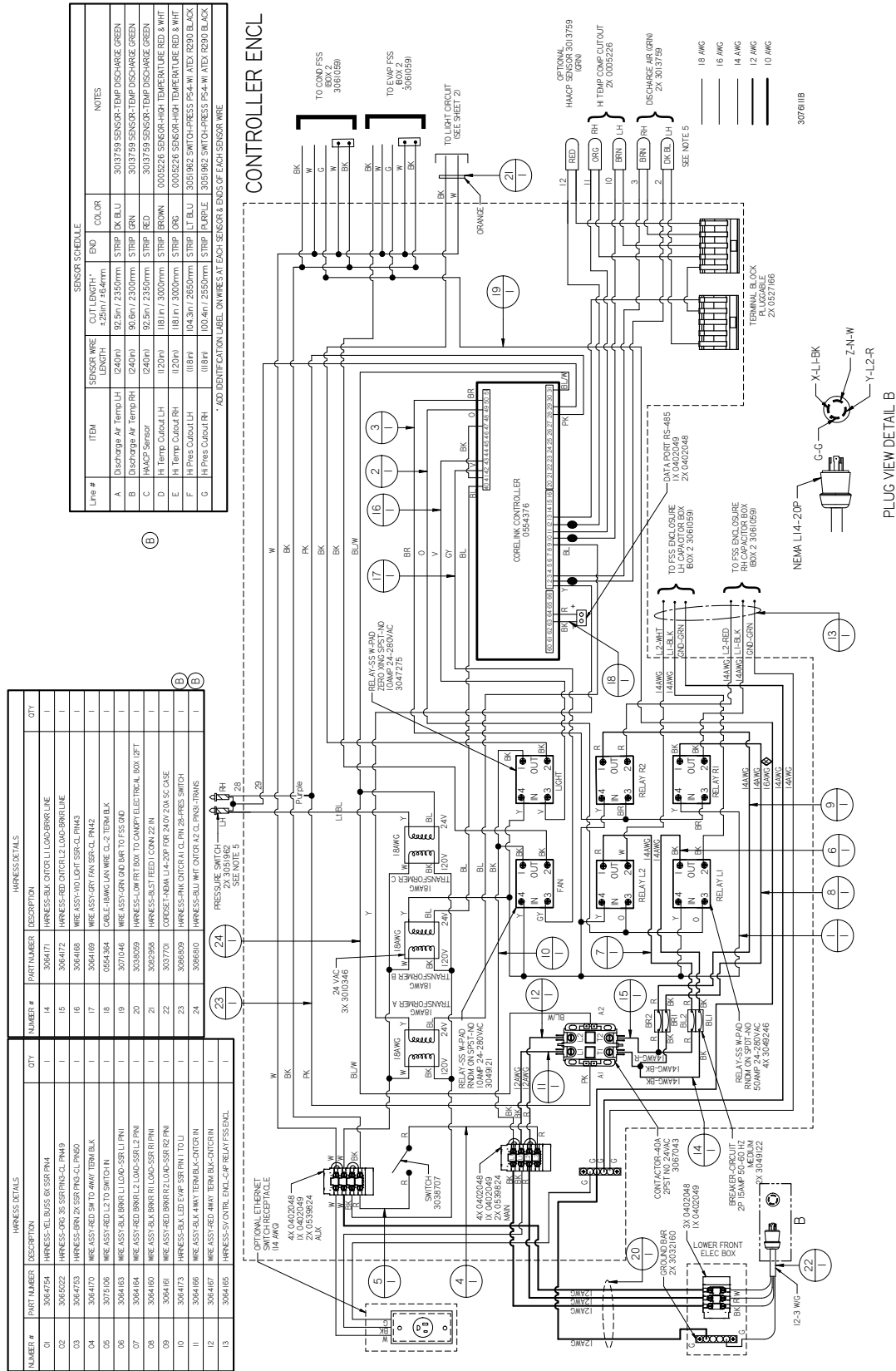
Maximum number of Shelves: 4

Maximum number of Lighted Shelves: 4

Standard shelf complement for test purposes: (3 row of shelves) 13, 16 and 19-in., evenly distributed vertically

# Corelink Configuration Electrical Box Wiring Diagram

## MD9871GIA For Meat Applications



Line #	ITEM	SENSOR WIRE LENGTH	CUT LENGTH	END	COLOR	NOTES
A	Discharge Air Temp LH	(240in)	92.5in / 2350mm	STRIP	DK BLU	3013759 SENSOR-TEMP DISCHARGE GREEN
B	Discharge Air Temp RH	(240in)	92.5in / 2350mm	STRIP	GRN	3013759 SENSOR-TEMP DISCHARGE GREEN
C	HMACP Sensor	(120in)	92.5in / 2350mm	STRIP	RED	0005226 SENSOR-HIGH TEMPERATURE RED & WHT
D	Hi Temp Cutout LH	(120in)	118in / 3000mm	STRIP	BROWN	0005226 SENSOR-HIGH TEMPERATURE RED & WHT
E	Hi Temp Cutout RH	(120in)	118in / 3000mm	STRIP	ORG	0005226 SENSOR-HIGH TEMPERATURE RED & WHT
F	Hi Pres Cutout LH	(118in)	104.3in / 2650mm	STRIP	LT BLU	3051982 SWITCH-PRESS PS-4-WI ATEX R930 BLACK
G	Hi Pres Cutout RH	(118in)	104.3in / 2650mm	STRIP	PURPLE	3051982 SWITCH-PRESS PS-4-WI ATEX R930 BLACK

\* ADD IDENTIFICATION LABEL ON WIRES AT EACH SENSOR & ENDS OF EACH SENSOR WIRE

HUSMANN DETAILS		
NUMBER #	DESCRIPTION	QTY
01	HUSMANN-VEL-BUS-REL-SSR-PH4	1
02	HUSMANN-VEL-BUS-REL-SSR-PH4	1
03	HUSMANN-VEL-BUS-REL-SSR-PH4	1
04	HUSMANN-VEL-BUS-REL-SSR-PH4	1
05	HUSMANN-VEL-BUS-REL-SSR-PH4	1
06	HUSMANN-VEL-BUS-REL-SSR-PH4	1
07	HUSMANN-VEL-BUS-REL-SSR-PH4	1
08	HUSMANN-VEL-BUS-REL-SSR-PH4	1
09	HUSMANN-VEL-BUS-REL-SSR-PH4	1
10	HUSMANN-VEL-BUS-REL-SSR-PH4	1
11	HUSMANN-VEL-BUS-REL-SSR-PH4	1
12	HUSMANN-VEL-BUS-REL-SSR-PH4	1
13	HUSMANN-VEL-BUS-REL-SSR-PH4	1

HUSMANN DETAILS		
NUMBER #	DESCRIPTION	QTY
14	HUSMANN-VEL-BUS-REL-SSR-PH4	1
15	HUSMANN-VEL-BUS-REL-SSR-PH4	1
16	HUSMANN-VEL-BUS-REL-SSR-PH4	1
17	HUSMANN-VEL-BUS-REL-SSR-PH4	1
18	HUSMANN-VEL-BUS-REL-SSR-PH4	1
19	HUSMANN-VEL-BUS-REL-SSR-PH4	1
20	HUSMANN-VEL-BUS-REL-SSR-PH4	1
21	HUSMANN-VEL-BUS-REL-SSR-PH4	1
22	HUSMANN-VEL-BUS-REL-SSR-PH4	1
23	HUSMANN-VEL-BUS-REL-SSR-PH4	1
24	HUSMANN-VEL-BUS-REL-SSR-PH4	1

# MD9871GIA

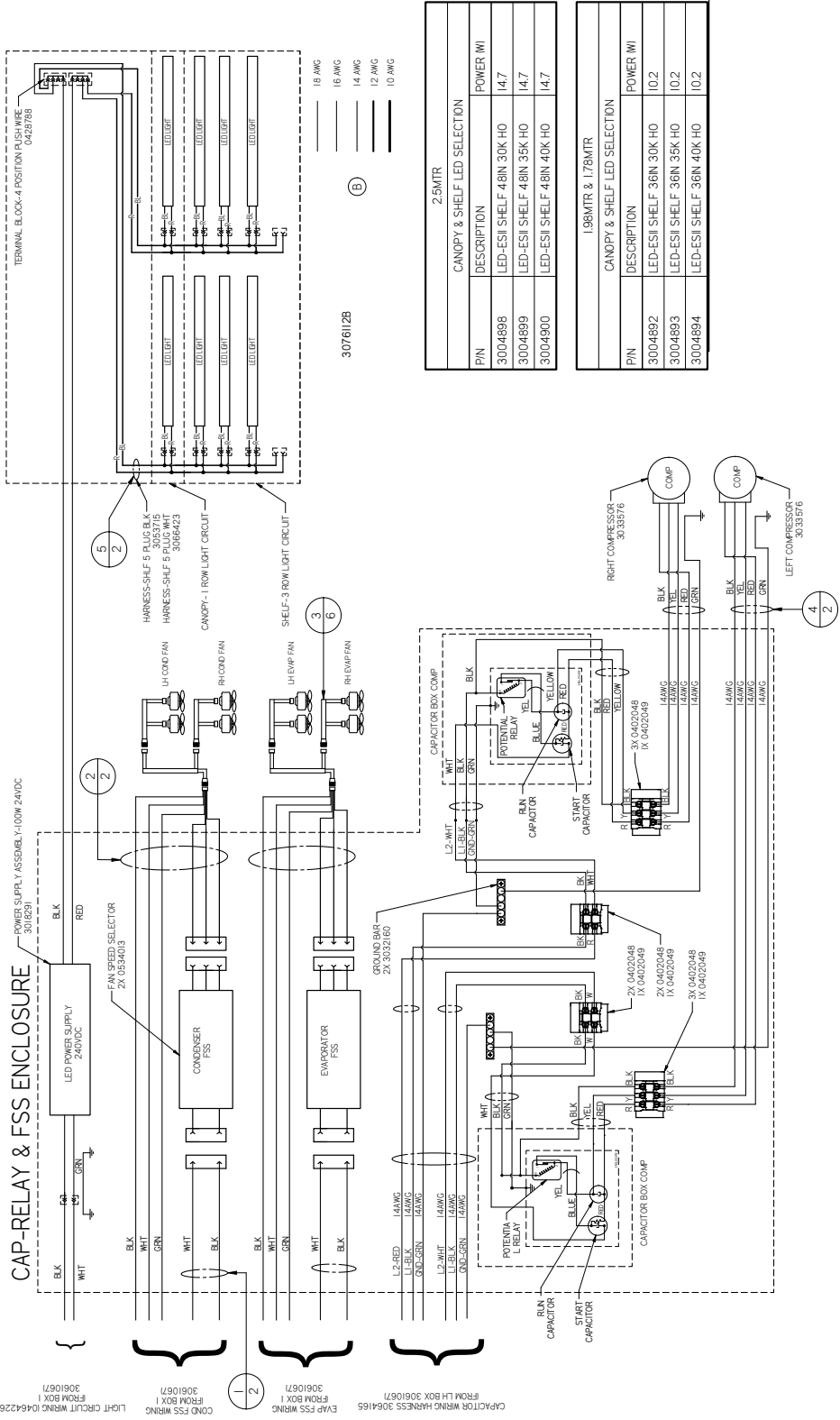
For Meat Applications

# Corelink Configuration

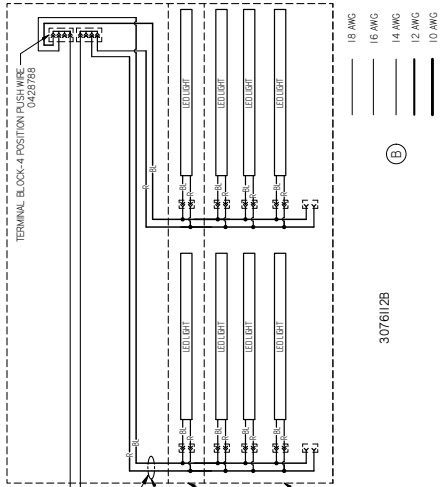
## Electrical Box

### Wiring Diagram

HARNESS DETAILS			
ITEM NUM #	PART NUMBER	DESCRIPTION	QTY
01	3019833	HARNESS-MOTOR CTRLR POWER FEED	2
02	3019838	HARNESS-MOTOR RECEPTOR	2
03	0537840	HARNESS-2 FAN SPLITTER	6
04	3038060	HARNESS-COMPRESSOR TO CAP-RELAY BOX	2
05	3053715	HARNESS-SHELF 5 PLUG BLK 8.8 SPACING	2



### LIGHT CIRCUIT



2.5MTR		
PIN	DESCRIPTION	POWER (W)
3004898	LED-ESI SHELF 48IN 30K HO	14.7
3004899	LED-ESI SHELF 48IN 35K HO	14.7
3004900	LED-ESI SHELF 48IN 40K HO	14.7

1.98MTR & 1.78MTR		
PIN	DESCRIPTION	POWER (W)
3004892	LED-ESI SHELF 36IN 30K HO	10.2
3004893	LED-ESI SHELF 36IN 35K HO	10.2
3004894	LED-ESI SHELF 36IN 40K HO	10.2



**MD9871GIA**  
For Meat Applications



Scan the QR code with your mobile device to access additional product information or order parts.

Parts may also be ordered at:

**parts.husmann.com**

**Call toll free: 1.855.487.7778**

---

## Revision History

Revision A: March 2020: Original Issue