

Portion of parts removed for clarity.

Control Kiosks shown above

**NOTE:** Junction box for field installed wires to each locker is located in the back, right of the unit. See the manual for details.

Front View	Page 2	Electrical & Estimated Shipping Weights	Page 6
Cross Section View	Page 3	QR Code for Wiring Diagrams	Page 6
Plan View	Page 4	QR Code for Parts and Product Information	Page 7
Rear Junction Box View	Page 5	Revision History	Page 7

### Data sheet-SLIC

We reserve the right to change or revise specifications and product design in connection with any feature of our products. Such changes do not entitle the buyer to corresponding changes, improvements, additions or replacements for equipment previously sold or shipped.

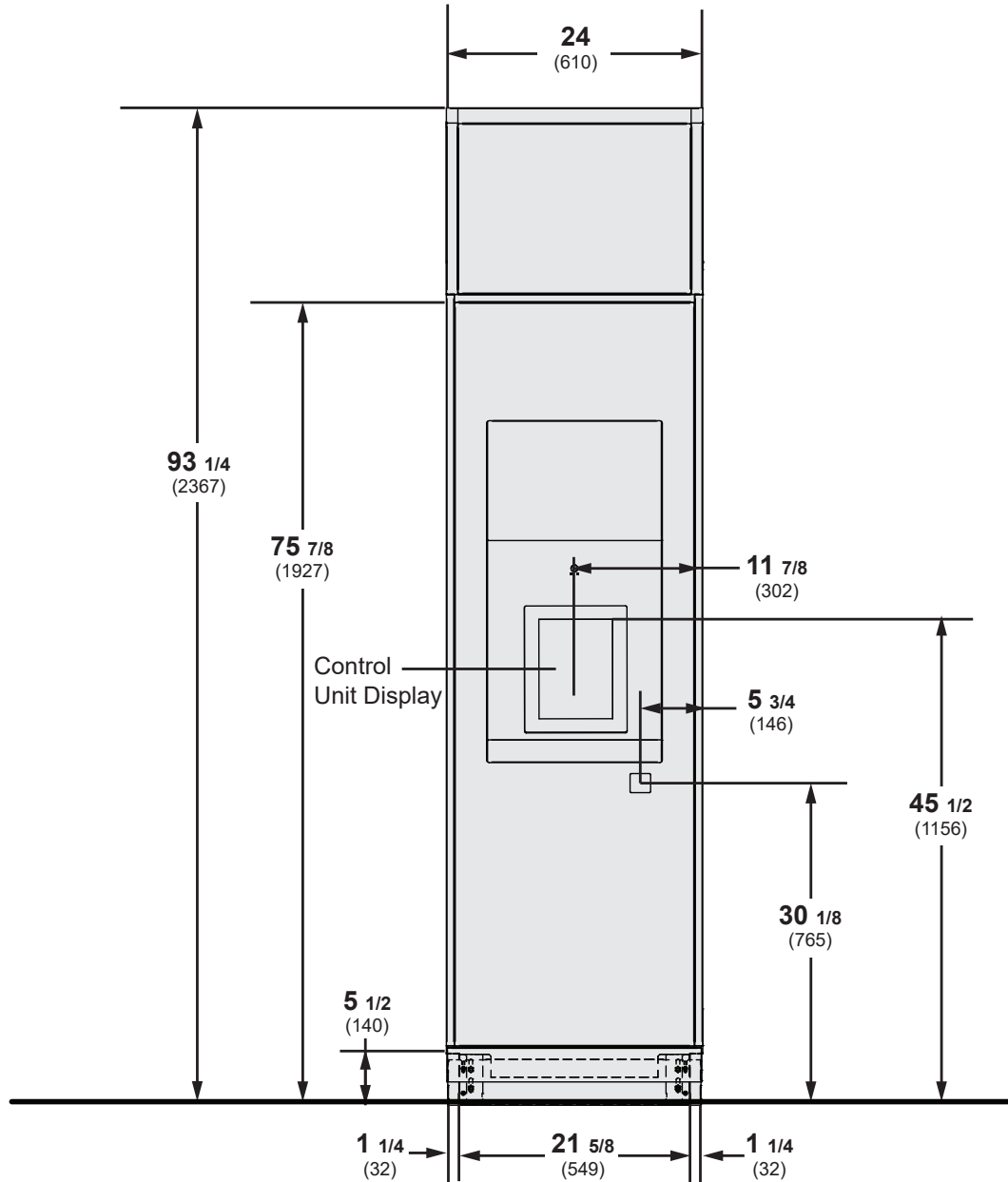
**SMART EXCHANGE  
LOCKER SLIC**  
Control Kiosks

**Locker  
Views**

**Smart Exchange Locker**

*Control Kiosks Front View*

Dimensions shown as in. and (mm).



# Locker Views

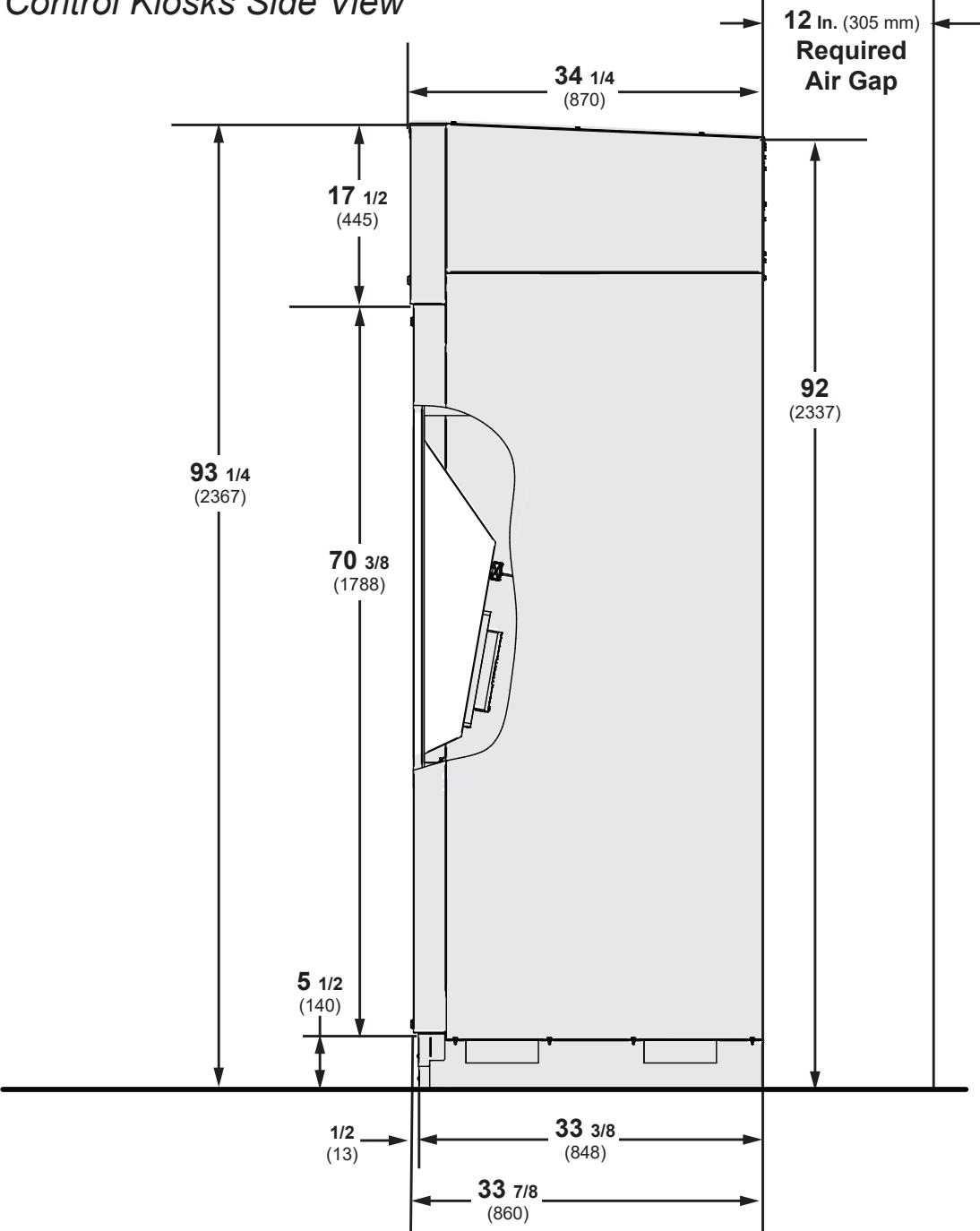
# SMART EXCHANGE LOCKER SLIC

Control Kiosks

Dimensions shown as in. and (mm).

## Smart Exchange Locker

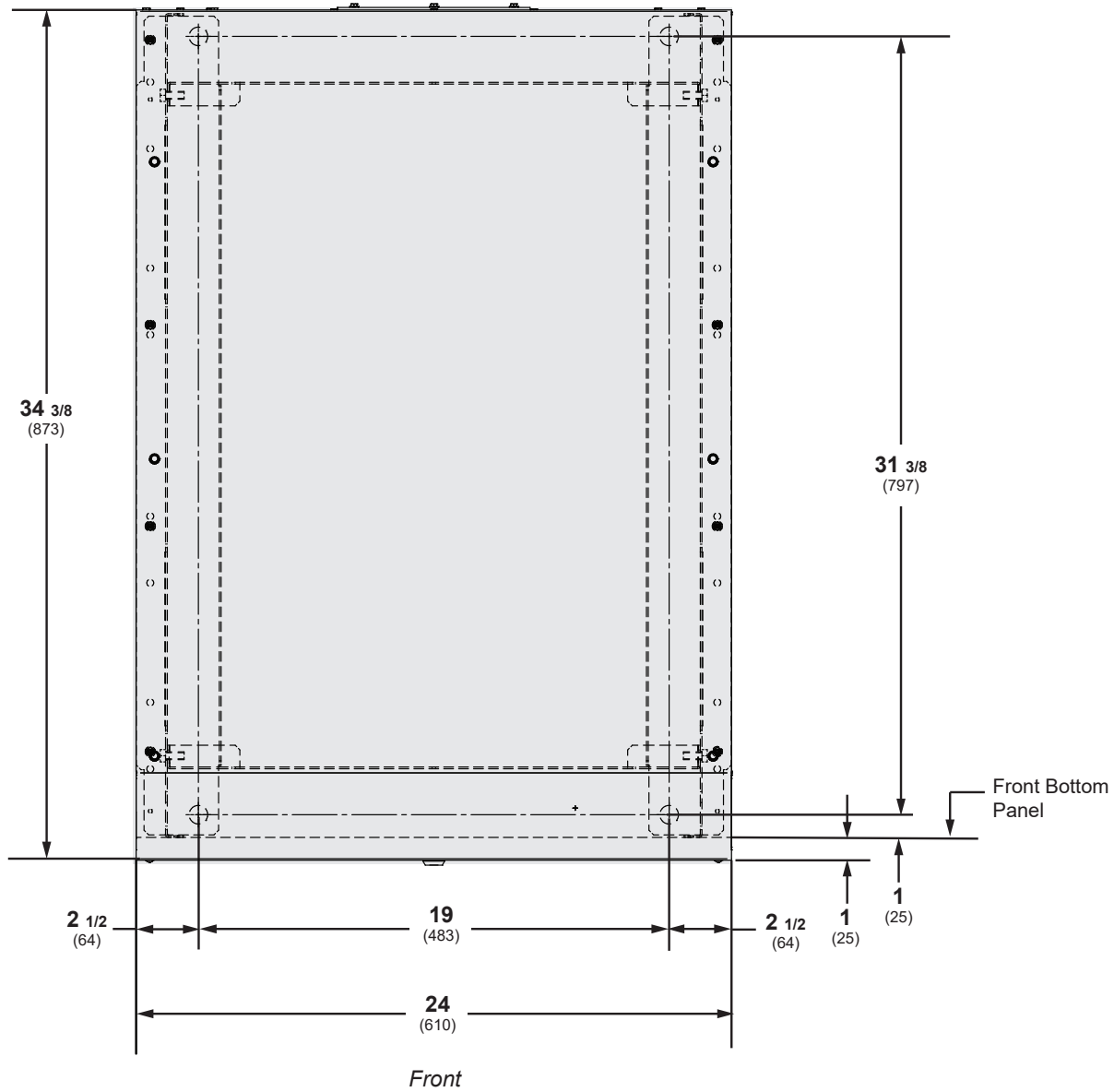
Control Kiosks Side View



**SMART EXCHANGE  
LOCKER SLIC**  
Control Kiosks

**Locker  
Views**

Dimensions shown as in. and (mm).

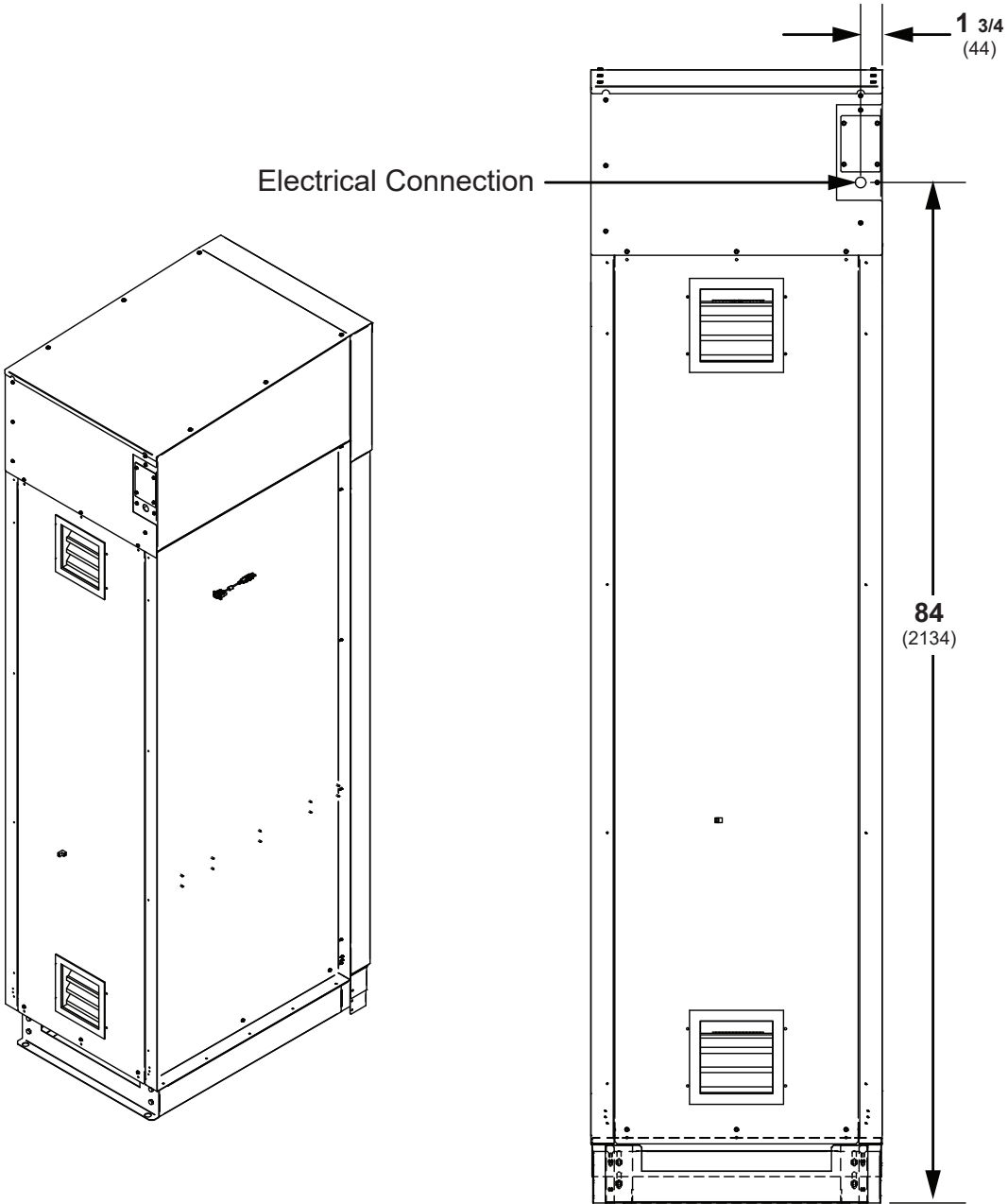


Plan View

# Locker Views

# SMART EXCHANGE LOCKER SLIC Control Kiosks

Dimensions shown as in. and (mm).



*Back of Unit (Dimensions to Rear Junction Box)*

# SMART EXCHANGE LOCKER SLIC

Control Kiosks

## Electrical Data

### Module Type

Control Kiosks L1

### Amperes

L1

Controls/Locker Components 1.25

Fans 0.19

Heater -

**Total 1.44**

### Field Power

120V 3 Wire

L1

**MCA 1.80**

**MOPD 3.00**

Breaker Size 20



### Wiring Diagrams

Scan the QR code with your mobile device to access online wiring diagrams for this module.

### ESTIMATED SHIPPING WEIGHT †

Case

*SLIC*

lb (kg)

400 (181)

† Actual weights will vary according to optional kits included.



Scan the QR code with your mobile device to access additional product information or order parts.

Parts may also be ordered at:

**parts.husmann.com**

**Call toll free: 1.855.487.7778**

---

## Revision History

Revision A: August 2020: Original Issue

Revision B: December 2020: Updated performance data, QR codes and drawings.