

Portion of parts removed for clarity.

Control Kiosks shown above.

NOTE: Junction box for field installed wires to each locker is located in the back, right of the unit. See the manual for details.

Front View	Page 2	Electrical & Estimated Shipping Weights	Page 6
Cross Section View	Page 3	QR Code for Wiring Diagrams	Page 6
Plan View	Page 4	QR Code for Parts and Product Information	Page 7
Rear Junction Box View	Page 5	Revision History	Page 7

Data sheet-SLOC

We reserve the right to change or revise specifications and product design in connection with any feature of our products. Such changes do not entitle the buyer to corresponding changes, improvements, additions or replacements for equipment previously sold or shipped.

SMART EXCHANGE LOCKER SLOC

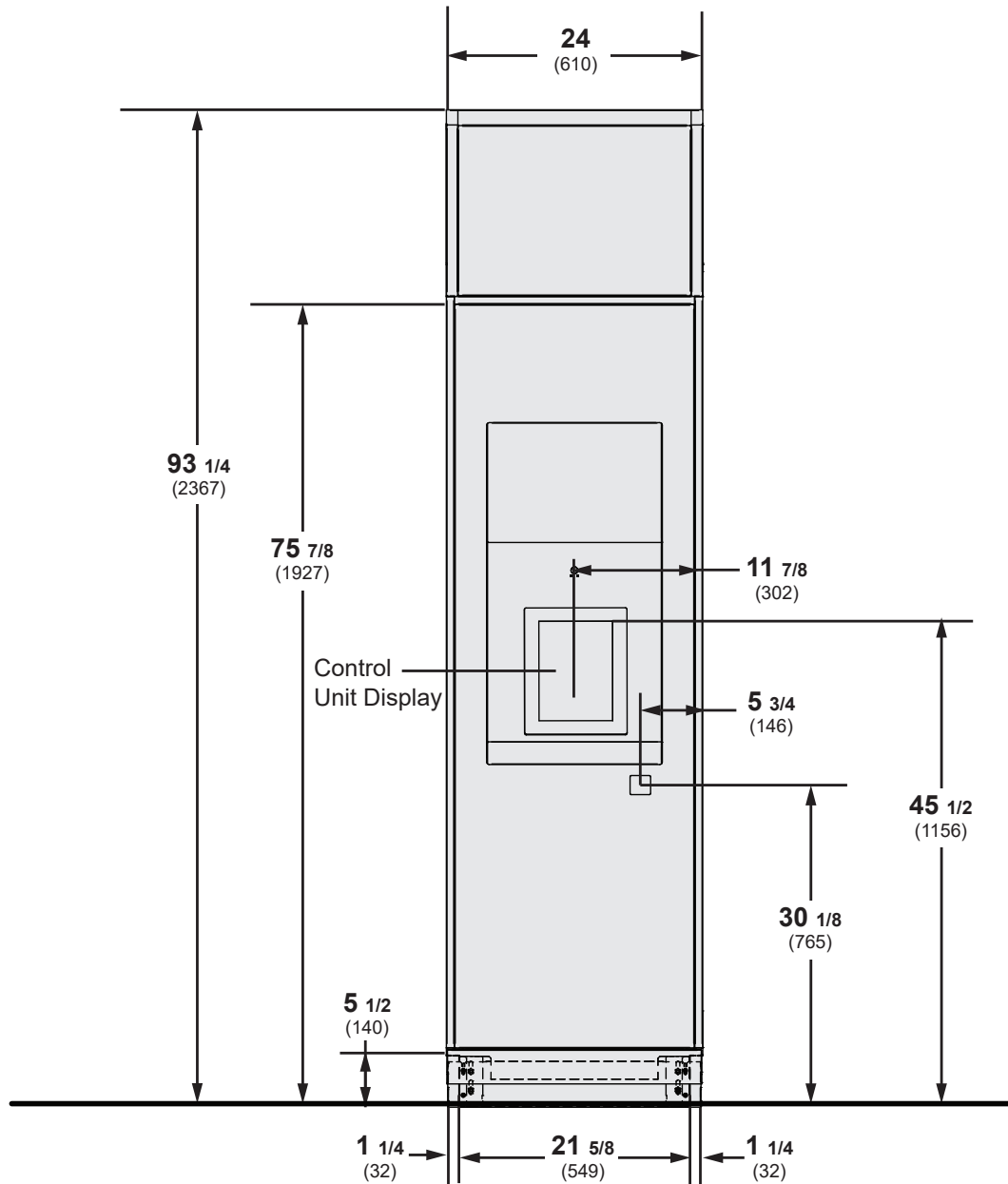
Control Kiosks

Locker Views

Smart Exchange Locker

Control Kiosks Front View

Dimensions shown as in. and (mm).



Locker Views

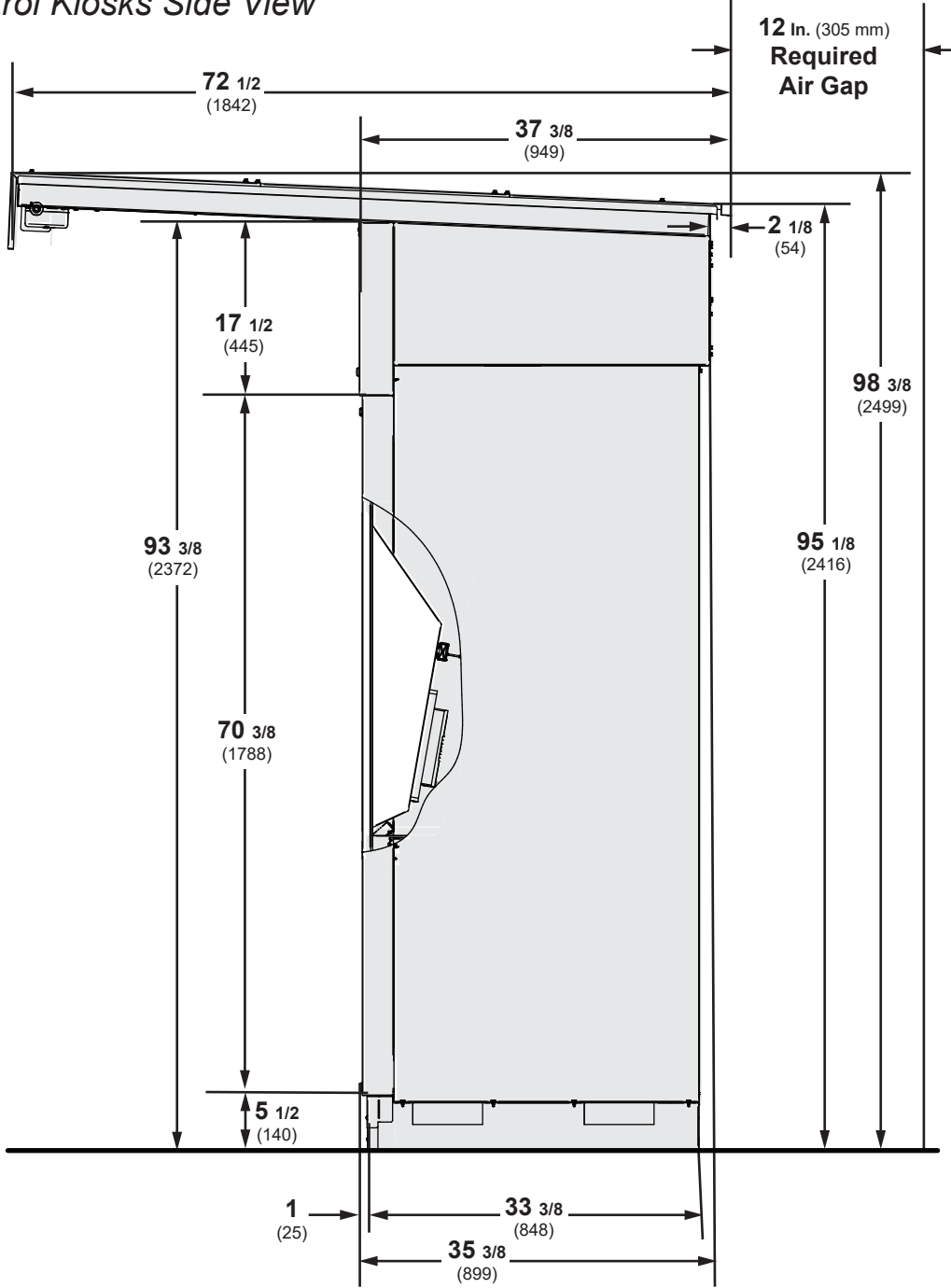
SMART EXCHANGE LOCKER SLOC

Control Kiosks

Dimensions shown as in. and (mm).

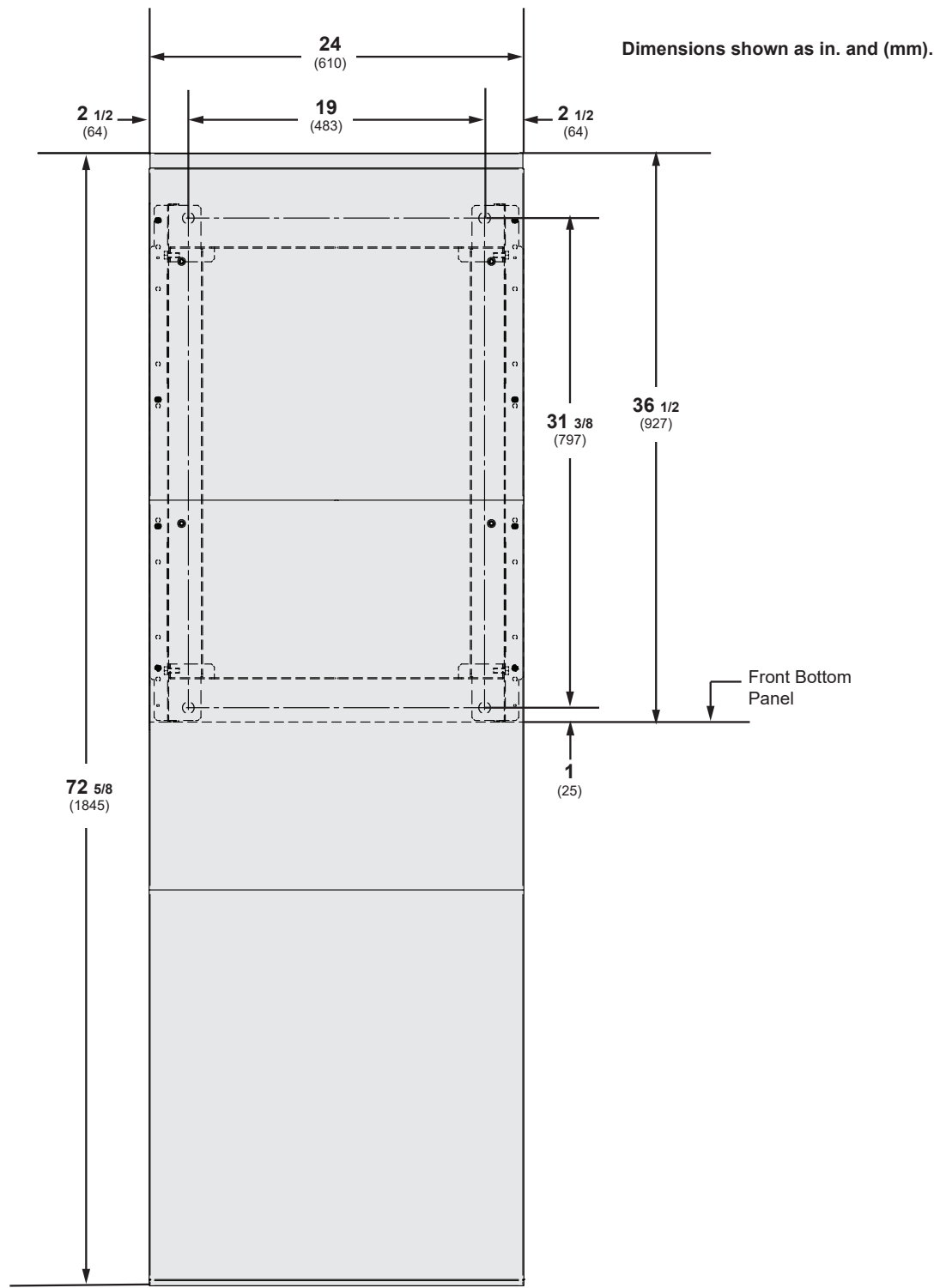
Smart Exchange Locker

Control Kiosks Side View



**SMART EXCHANGE
LOCKER SLOC**
Control Kiosks

**Locker
Views**

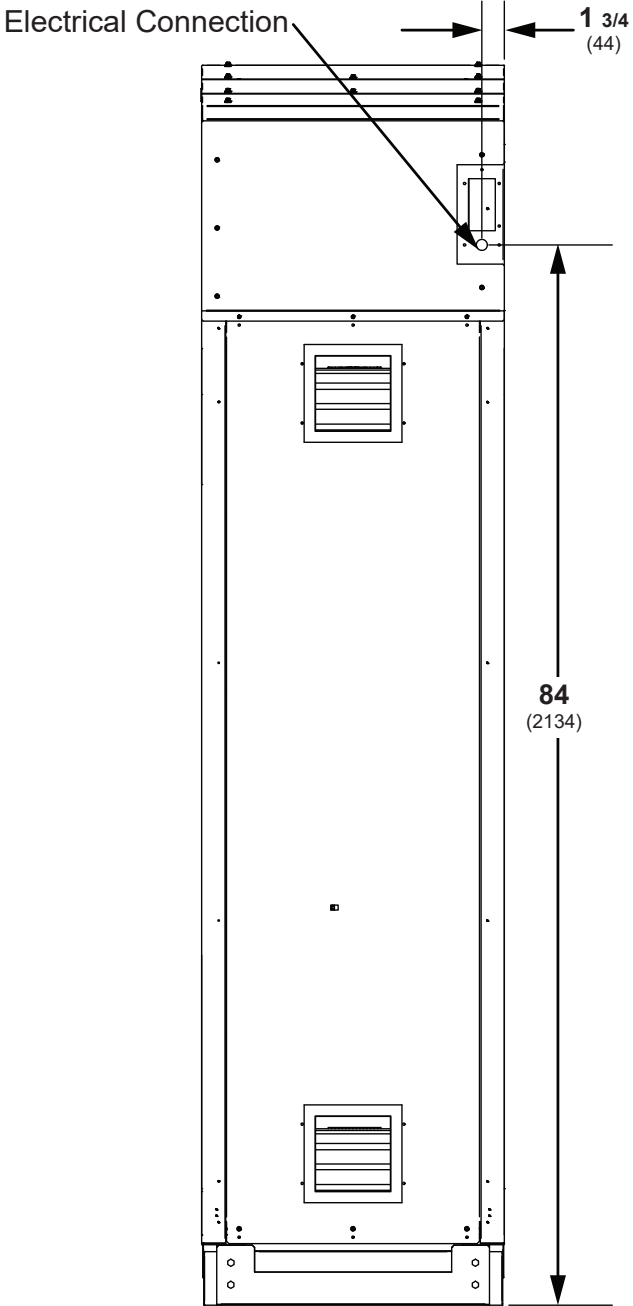
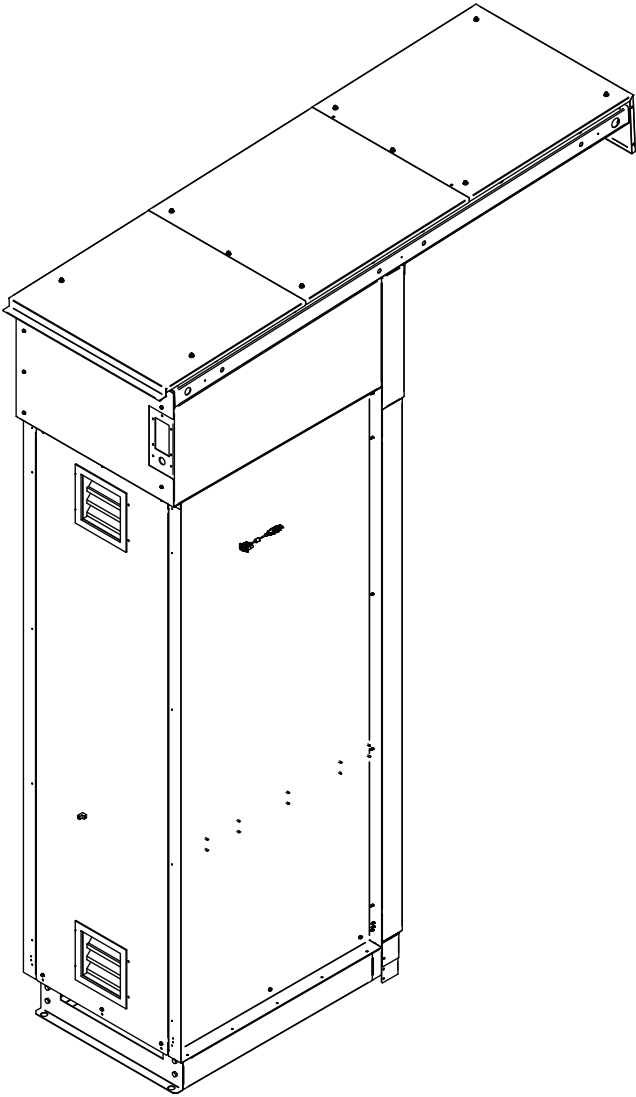


Front
Plan View

Locker
Views

**SMART EXCHANGE
LOCKER SLOC**
Control Kiosks

Dimensions shown as in. and (mm).



Back of Unit (Dimensions to Rear Junction Box)

SMART EXCHANGE LOCKER SLOC

Control Kiosks

Electrical Data

Module Type

Control Kiosks L1

Amperes **Control Kiosk with Locker LEDs (.17 amps)**
L1

Controls/Locker Components 1.25
Fans 0.19
Heater -

Total Amperes **1.44** **(+ .17 amps x Number of Lockers with LEDs)**

Field Power

120V 3 Wire

L1

MCA 1.80 (+ .17 amps x Number of Lockers with LEDs)

MOPD 3.00 (+ .17 amps x Number of Lockers with LEDs)

Breaker Size 20



Wiring Diagrams

Scan the QR code with your mobile device to access online wiring diagrams for this module.

ESTIMATED SHIPPING WEIGHT †

Case

SLOC

lb (kg)

480 (218) (includes canopy section)

† Actual weights will vary according to optional kits included.

**SMART EXCHANGE
LOCKER SLOC**
Control Kiosks



Scan the QR code with your mobile device to access additional product information or order parts.

Parts may also be ordered at:

parts.husmann.com

Call toll free: 1.855.487.7778

Revision History

Revision A: August 2020: Original Issue

Revision B: December 2020: Updated performance data, QR codes and drawings.