

Scan the QR code with your mobile device to access additional product information or order parts.

Parts may also be ordered at:

[parts.hussmann.com](https://parts.hussmann.com)

Call toll free: 1.855.487.7778

We reserve the right to change or revise specifications and product design in connection with any feature of our products. Such changes do not entitle the buyer to corresponding changes, improvements, additions or replacements for equipment previously sold or shipped.

Data sheet-Excel Freedom Condensing Units

**NOTE:** Revision B: updated data on pages 8 and 9.

**R448A**

**Excel Freedom  
Condensing Units for  
Multi-Deck Cases**

**Case wiring must be on a separate circuit. See Excel data sheet for case circuit requirements.**

Application	CF5X Medium Temperature			
	4 ft	6 ft	8 ft	12 ft
<b>Circuit 1 (120V, 1 Phase) Fans, Lights, Controller, Condensate Pump</b>				
Maximum Overcurrent Protection Device (MOPD)	20	20	20	20
<b>Circuit 2 ( 208V, 1 Phase) Condensing Unit and Condensate Evaporator Pan Heaters</b>				
Voltage/ 60Hz / 1 Phase	208/230	208/230	208/230	208/230
Maximum Overcurrent Protection Device (MOPD)	25	30	40	65
Minimum Circuit Ampacity (MCA)	20.6	25.6	34.2	49.2
<b>Condensate Evaporator Pan</b>				
Volts	208	208	208	208
Amps	9.6	9.6	14.4	14.4
Wattage	2,000	2,000	3,000	3,000
<b>Condensing Unit</b>				
RLA	6	10	12	23.2
LRA	35.7	40.3	56	112
Type	---	AC Scroll	AC Scroll	AC Scroll
Wiring Diagram	3B	3B	3A	3A
R448A Charge (lbs) (Condensing Unit only)	1.4	3.4	5.9	5.9
Accumulator Capacity (lbs)	---	---	6.11	6.11
Oil Recharge (oz)	21	19	19	34
Heat of Rejection (Btu/hr)	9,136	13,685	18,869	26,858
<b>Refrigerant Connections (inches)</b>				
Liquid Line	$\frac{3}{8}$	$\frac{3}{8}$	$\frac{3}{8}$	$\frac{3}{8}$
Suction Line	$\frac{5}{8}$	$\frac{5}{8}$	$\frac{5}{8}$	$\frac{5}{8}$
<b>Dimensions (inches)</b>				
Height	16.5	16.6	18.9	18.9
Length	24.1	24.1	25.1	34.1
Width	18.3	18.3	34.1	25.1
<b>Shipping Weight (lbs)</b>	105	110	142	155
<b>Condensate Pump</b>				
Volts	120	120	120	120
Amps	1.9	1.9	1.9	1.9

**Case wiring must be on a separate circuit. See Excel data sheet for case circuit requirements.**

**Excel Freedom  
Condensing Units for  
Multi-Deck Cases**

Application	DF5NX Medium Temperature			
	4 ft	6 ft	8 ft	12 ft
<b>Circuit 1 (120V, 1 Phase) Fans, Lights, Controller, Condensate Pump</b>				
Maximum Overcurrent Protection Device (MOPD)	20	20	20	20
<b>Circuit 2 (208V, 1 Phase) Condensing Unit and Condensate Evaporator Pan Heaters</b>				
Voltage/ 60Hz / 1 Phase	208/230	208/230	208/230	208/230
Maximum Overcurrent Protection Device (MOPD)	25	30	40	65
Minimum Circuit Ampacity (MCA)	20.6	25.6	34.2	49.2
<b>Condensate Evaporator Pan</b>				
Volts	208	208	208	208
Amps	9.6	9.6	14.4	14.4
Wattage	2,000	2,000	3,000	3,000
<b>Condensing Unit</b>				
RLA	6	10	12	23.2
LRA	35.7	40.3	56	112
Type	AC Scroll	AC Scroll	AC Scroll	AC Scroll
Wiring Diagram	3B	3B	3A	3A
R448A Charge (lbs) (Condensing Unit only)	1.4	3.4	5.9	5.9
Accumulator Capacity (lbs)	---	---	6.11	6.11
Oil Recharge (oz)	21	19	19	34
Heat of Rejection (Btu/hr)	8,373	12,542	17,293	24,614
<b>Refrigerant Connections (inches)</b>				
Liquid Line	$\frac{3}{8}$	$\frac{3}{8}$	$\frac{3}{8}$	$\frac{3}{8}$
Suction Line	$\frac{5}{8}$	$\frac{5}{8}$	$\frac{5}{8}$	$\frac{5}{8}$
<b>Dimensions (inches)</b>				
Height	16.5	16.6	18.9	18.9
Length	24.1	24.1	25.1	34.1
Width	18.5	18.3	34.1	25.1
<b>Shipping Weight (lbs)</b>				
	105	110	142	155
<b>Condensate Pump</b>				
Volts	120	120	120	120
Amps	1.9	1.9	1.9	1.9

**Excel Freedom**  
**Condensing Units for**  
**Multi-Deck Cases**

**Case wiring must be on a separate circuit. See Excel data sheet for case circuit requirements.**

Application	DDF5NX	
	4 ft	6 ft
<b>Circuit 1 (120V, 1 Phase) Fans, Lights, Controller, Condensate Pump</b>		
Maximum Overcurrent Protection Device (MOPD)	20	20
<b>Circuit 2 (120V, 1 Phase) Condensing Unit and Condensate Evaporator Pan Heaters</b>		
Voltage/ 60Hz / 1 Phase	115	115
Maximum Overcurrent Protection Device (MOPD)	20	20
Minimum Circuit Ampacity (MCA)	11.7	12.8
<b>Condensate Evaporator Pan (Single Pan/Optional Dual Pan)</b>		
Volts	120	120
Amps	5.0	5.0
Wattage	600	600
<b>Condensing Unit</b>		
RLA	4.0	4.8
LRA	26.0	34.0
Type	---	---
Wiring Diagram	3C	3C
R448A Charge (lbs) (Condensing Unit only)	0.7	0.7
Accumulator Capacity (lbs)	---	---
Oil Recharge (oz)	10	10
Heat of Rejection (Btu/hr)	1,903	2,780
<b>Refrigerant Connections (inches)</b>		
Liquid Line	$\frac{3}{8}$	$\frac{3}{8}$
Suction Line	$\frac{5}{8}$	$\frac{5}{8}$
<b>Dimensions (inches)</b>		
Height	10.5	11.9
Length	16.0	16.1
Width	14.2	15.1
<b>Shipping Weight (lbs)</b>	40	48
<b>Condensate Pump</b>		
Volts	120	120
Amps	1.9	1.9

**Case wiring must be on a separate circuit. See Excel data sheet for case circuit requirements.**

**Excel Freedom  
Condensing Units for  
Multi-Deck Cases**

Application	DDF5X			
	4 ft	6 ft	8 ft	12 ft
<b>Circuit 1 (120V, 1 Phase) Fans, Lights, Controller, Condensate Pump</b>				
Maximum Overcurrent Protection Device (MOPD)	20	20	20	20
<b>Circuit 2 (120V or 208V, 1 Phase) Condensing Unit and Condensate Evaporator Pan Heaters</b>				
Voltage/ 60Hz / 1 Phase	115	115	115	208/230
Maximum Overcurrent Protection Device (MOPD)	20	20	20	20
Minimum Circuit Ampacity (MCA)	11.7	11.7	12.8	18.1
<b>Condensate Evaporator Pan</b>				
Volts	120	120	120	208
Amps	5.0	5.0	5.0	4.8
Wattage	600	600	600	1,000
<b>Condensing Unit</b>				
RLA	4.0	4.0	4.8	5.7
LRA	26.0	26.0	34.0	22.0
Type	---	---	---	---
Wiring Diagram	3C	3C	3C	3D
R448A Charge (lbs) (Condensing Unit only)	0.7	0.7	0.7	0.7
Accumulator Capacity (lbs)	---	---	6.11	6.11
Oil Recharge (oz)	10	10	10	10
Heat of Rejection (Btu/hr)	2,017	3,025	4,133	6,137
<b>Refrigerant Connections (inches)</b>				
Liquid Line	$\frac{3}{8}$	$\frac{3}{8}$	$\frac{3}{8}$	$\frac{3}{8}$
Suction Line	$\frac{5}{8}$	$\frac{5}{8}$	$\frac{5}{8}$	$\frac{5}{8}$
<b>Dimensions (inches)</b>				
Height	10.5	10.5	11.9	11.7
Length	16.0	16.0	16.1	16.2
Width	14.2	14.2	15.2	13.1
<b>Shipping Weight (lbs)</b>	40	40	48	50
<b>Condensate Pump</b>				
Volts	120	120	120	120
Amps	1.9	1.9	1.9	1.9

**Excel Freedom**  
**Condensing Units for**  
**Multi-Deck Cases**

**Case wiring must be on a separate circuit. See Excel data sheet for case circuit requirements.**

Application	6 ft	PF2X 4 ft	6 ft
<b>Circuit 1 (120V, 1 Phase) Fans, Lights, Controller, Condensate Pump</b>			
Maximum Overcurrent Protection Device (MOPD)	20	20	20
<b>Circuit 2 (208V, 1 Phase) Condensing Unit and Condensate Evaporator Pan Heaters</b>			
Voltage/ 60Hz / 1 Phase	208/230	208/230	208/230
Maximum Overcurrent Protection Device (MOPD)	25	35	40
Minimum Circuit Ampacity (MCA)	20.6	31.6	34.2
<b>Condensate Evaporator Pan</b>			
Volts	208	208	208
Amps	9.6	14.4	14.4
Wattage	2,000	3,000	3,000
<b>Condensing Unit</b>			
RLA	6.0	10.0	12.0
LRA	35.7	40.3	56.0
Type	AC Scroll	AC Scroll	AC Scroll
Wiring Diagram	3B	3A	3A
R448A Charge (lbs) (Condensing Unit only)	5.1	3.4	5.9
Accumulator Capacity (lbs)	---	---	6.11
Oil Recharge (oz)	21	19	19
Heat of Rejection (Btu/hr)	7,907	10,528	16,330
<b>Refrigerant Connections (inches)</b>			
Liquid Line	$\frac{3}{8}$	$\frac{3}{8}$	$\frac{3}{8}$
Suction Line	$\frac{5}{8}$	$\frac{5}{8}$	$\frac{5}{8}$
<b>Dimensions (inches)</b>			
Height	16.5	16.6	18.9
Length	24.1	24.1	34.1
Width	18.3	18.3	25.1
<b>Shipping Weight (lbs)</b>	105	110	142
<b>Condensate Pump</b>			
Volts	120	120	120
Amps	1.9	1.9	1.9

**Case wiring must be on a separate circuit. See Excel data sheet for case circuit requirements.**

**Excel Freedom  
Condensing Units for  
Multi-Deck Cases**

Application	MF5X			
	4 ft	6 ft	8 ft	12 ft
<b>Circuit 1 (120V, 1 Phase) Fans, Lights, Controller, Condensate Pump</b>				
Maximum Overcurrent Protection Device (MOPD)	20	20	20	20
<b>Circuit 2 (208V, 1 Phase) Condensing Unit and Condensate Evaporator Pan Heaters</b>				
Voltage/ 60Hz / 1 Phase	208/230	208/230	208/230	208/230
Maximum Overcurrent Protection Device (MOPD)	25	30	40	6.5
Minimum Circuit Ampacity (MCA)	20.6	25.6	34.2	49.2
<b>Condensate Evaporator Pan</b>				
Volts	208	208	208	208
Amps	9.6	9.6	14.4	14.4
Wattage	2,000	2,000	3,000	3,000
<b>Condensing Unit</b>				
RLA	6.0	10.0	12.0	23.2
LRA	35.7	40.3	56	112
Type	AC Scroll	AC Scroll	AC Scroll	AC Scroll
Wiring Diagram	3B	3B	3A	3A
R448A Charge (lbs) (Condensing Unit only)	2.6	3.4	5.9	5.9
Accumulator Capacity (lbs)	---	---	6.11	6.11
Oil Recharge (oz)	21	19	19	34
Heat of Rejection (Btu/hr)	8,701	13,034	17,971	25,579
<b>Refrigerant Connections (inches)</b>				
Liquid Line	$\frac{3}{8}$	$\frac{3}{8}$	$\frac{3}{8}$	$\frac{3}{8}$
Suction Line	$\frac{5}{8}$	$\frac{5}{8}$	$\frac{5}{8}$	$\frac{5}{8}$
<b>Dimensions (inches)</b>				
Height	16.5	16.6	18.9	18.9
Length	24.1	24.1	34.1	25.1
Width	18.3	18.3	25.1	34.1
<b>Shipping Weight (lbs)</b>	105	110	142	155
<b>Condensate Pump</b>				
Volts	120	120	120	120
Amps	1.9	1.9	1.9	1.9

**Excel Freedom**  
**Condensing Units for**  
**Multi-Deck Cases**

**Case wiring must be on a separate circuit. See Excel data sheet for case circuit requirements.**

Application	54MT	EGPF 5FR	6
<b>Circuit 1 (120V, 1 Phase) Fans, Lights, Controller, Condensate Pump</b>			
Maximum Overcurrent Protection Device (MOPD)	20	20	20
<b>Circuit 2 (208V, 1 Phase) Condensing Unit and Condensate Evaporator Pan Heaters</b>			
Voltage/ 60Hz / 1 Phase	208/230	208/230	208/230
Maximum Overcurrent Protection Device (MOPD)	25	25	25
Minimum Circuit Ampacity (MCA)	18.2	18.4	18.4
<b>Condensate Evaporator Pan</b>			
Volts	208	208	208
Amps	4.8	4.8	4.8
Wattage	1,000	1,000	1,000
<b>Condensing Unit</b>			
RLA	9.0	9.0	9.0
LRA	43.3	43.0	43.0
Type	---	---	---
Wiring Diagram	3E	3E	3E
R448A Charge (lbs) (Condensing Unit only)	4.0	5.0	5.0
Accumulator Capacity (lbs)	---	---	---
Oil Recharge (oz)	13	15	15
Heat of Rejection (Btu/hr)	8,007	8,970	9,886
<b>Refrigerant Connections (inches)</b>			
Liquid Line	$\frac{3}{8}$	$\frac{3}{8}$	$\frac{3}{8}$
Suction Line	$\frac{5}{8}$	$\frac{5}{8}$	$\frac{5}{8}$
<b>Dimensions (inches)</b>			
Height	13.1	16.2	16.2
Length	24	24	24
Width	16.4	18.3	18.3
<b>Shipping Weight (lbs)</b>	80	74	74
<b>Condensate Pump</b>			
Volts	120	120	120
Amps	1.9	1.9	1.9



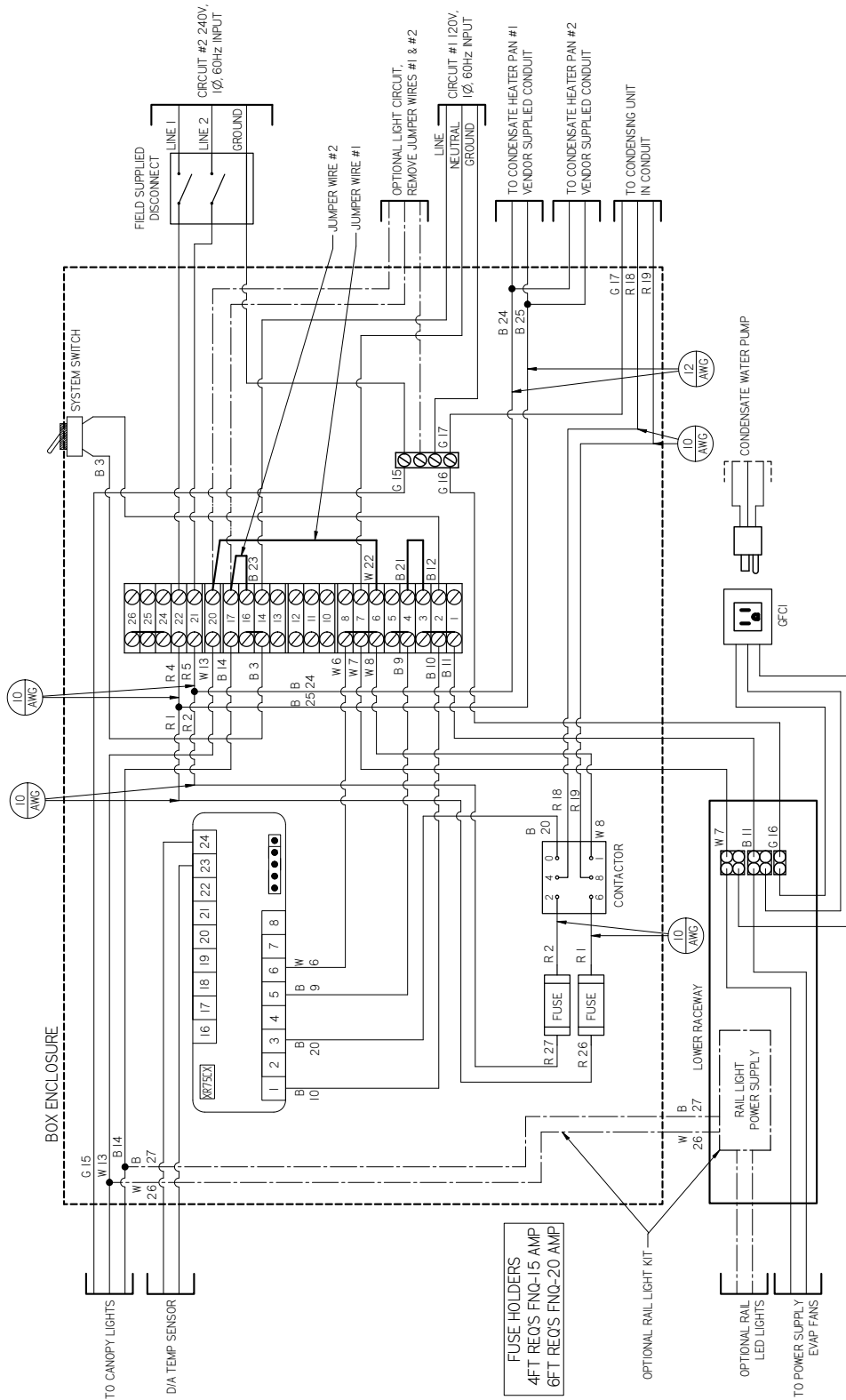
**Case wiring must be on a separate circuit. See Excel data sheet for case circuit requirements.**

**Excel Freedom  
Condensing Units for  
Multi-Deck Cases**

<b>Case</b>	<b>Size</b>	<b>Kit</b>	<b>Copeland Number (ID)</b>
<b>CF5X</b>	4 Feet	WZ28M	FFAM-008Z-CFV-080
	6 Feet	WZ27M	FFAP-015Z-CFV-080
	8 Feet	WZ26M	FFAP-020Z-CFV-080
	12 Feet	WZ25M	FFAP-032Z-CFV-080
<b>DF5NX</b>	4 Feet	WZ32M	FFAM-008Z-CFV-080
	6 Feet	WZ31M	FFAP-015Z-CFV-080
	8 Feet	WZ30M	FFAP-020Z-CFV-080
	12 Feet	WZ29M	FFAP-032Z-CFV-080
<b>DDF5NX</b>	4 Feet	WZ45M	M6EM-0020-IAA-121
	6 Feet	WZ44M	M6EM-H026-IAA-121
<b>PF2X</b>	6 Feet	WZ35M	FFAM-008Z-CFV-080
	8 Feet	WZ34M	FFAP-015Z-CFV-080
	12 Feet	WZ33M	FFAP-020Z-CFV-080
<b>MF5X</b>	4 Feet	WZ39M	FFAM-008Z-CFV-080
	6 Feet	WZ38M	FFAP-015Z-CFV-080
	8 Feet	WZ37M	FFAP-020Z-CFV-080
	12 Feet	WZ36M	FFAP-032Z-CFV-080
<b>DDF5X</b>	4 Feet	WZ43M	M6EM-0020-IAA-121
	6 Feet	WZ42M	M6EM-0020-IAA-121
	8 Feet	WZ41M	M6EM-H026-IAA-121
	12 Feet	WZ40M	M6ZM-H054-IAA-121
<b>EGPF</b>	54MT	YM34M	M6KP-0092-CAV-072
	5FR	ABT85M	M6KP-0102-CAV-072
	6	ABT85M	M6KP-0102-CAV-072

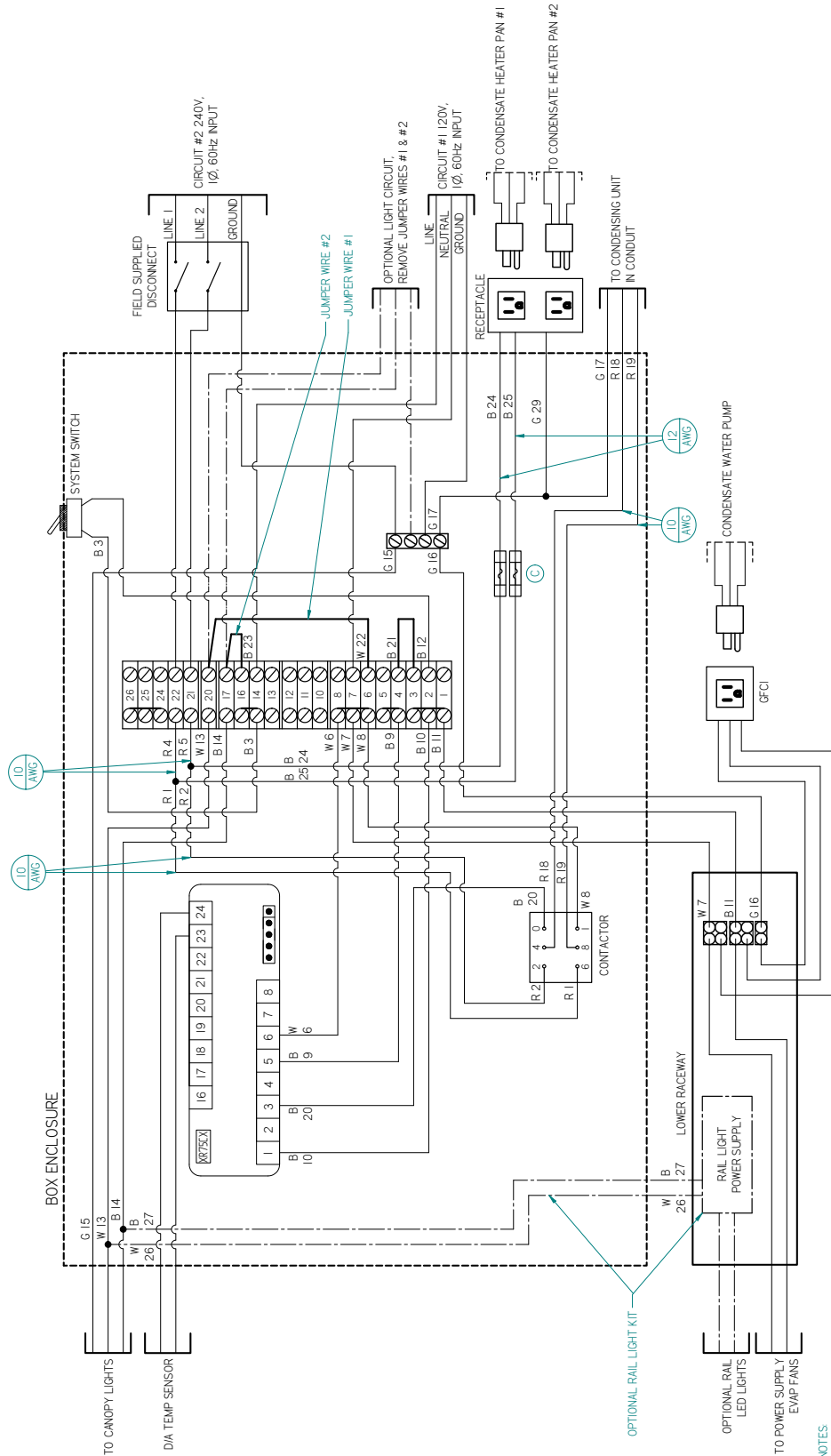
**Excel Freedom  
Condensing Units for  
Multi-Deck Cases**

**Excel Wiring Diagram**



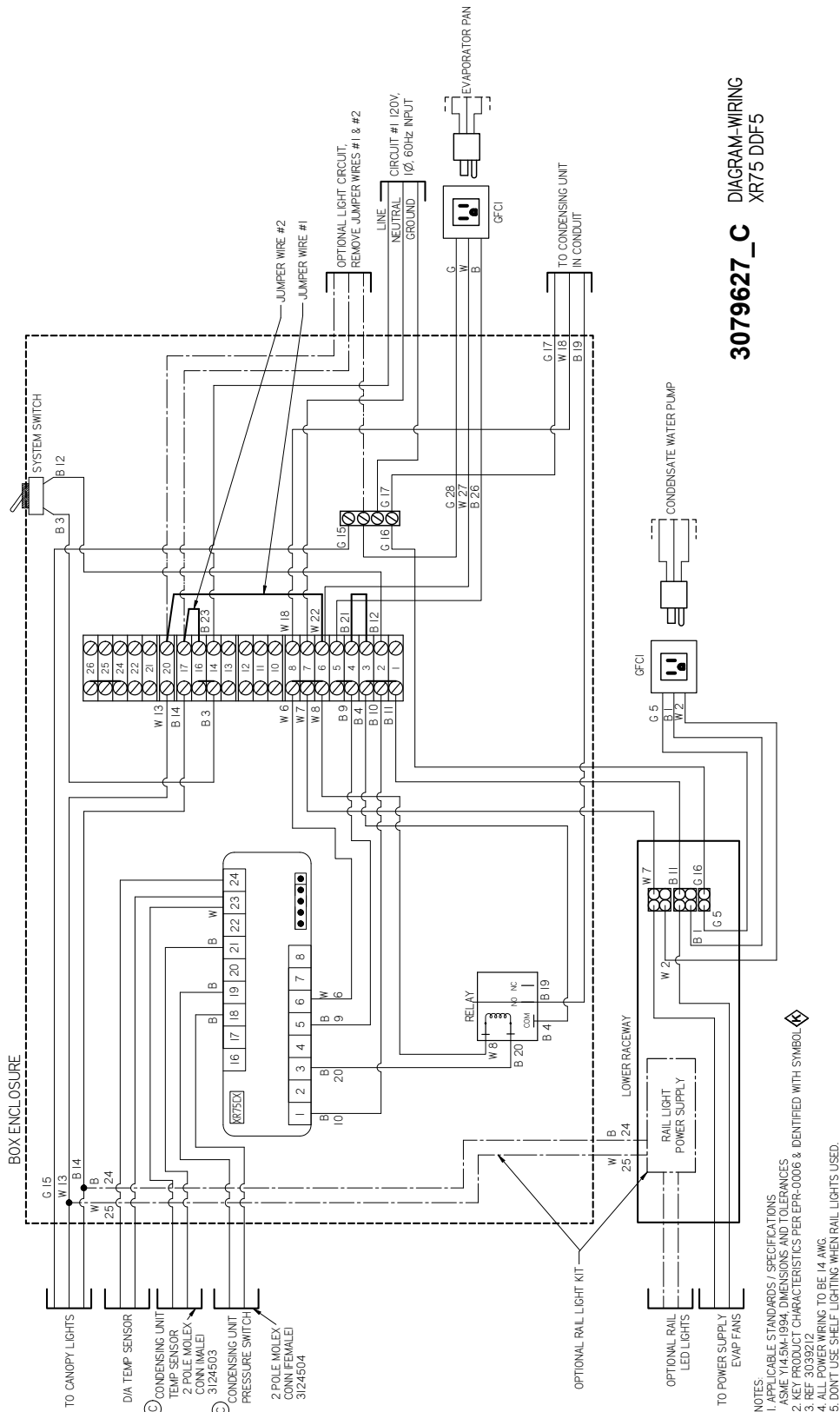
**Excel Wiring Diagram  
XR75 8, 12 Ft**

**Excel Freedom  
Condensing Units for  
Multi-Deck Cases**



**3039211\_C** DIAGRAM-WIRING  
XR75 8 12FT

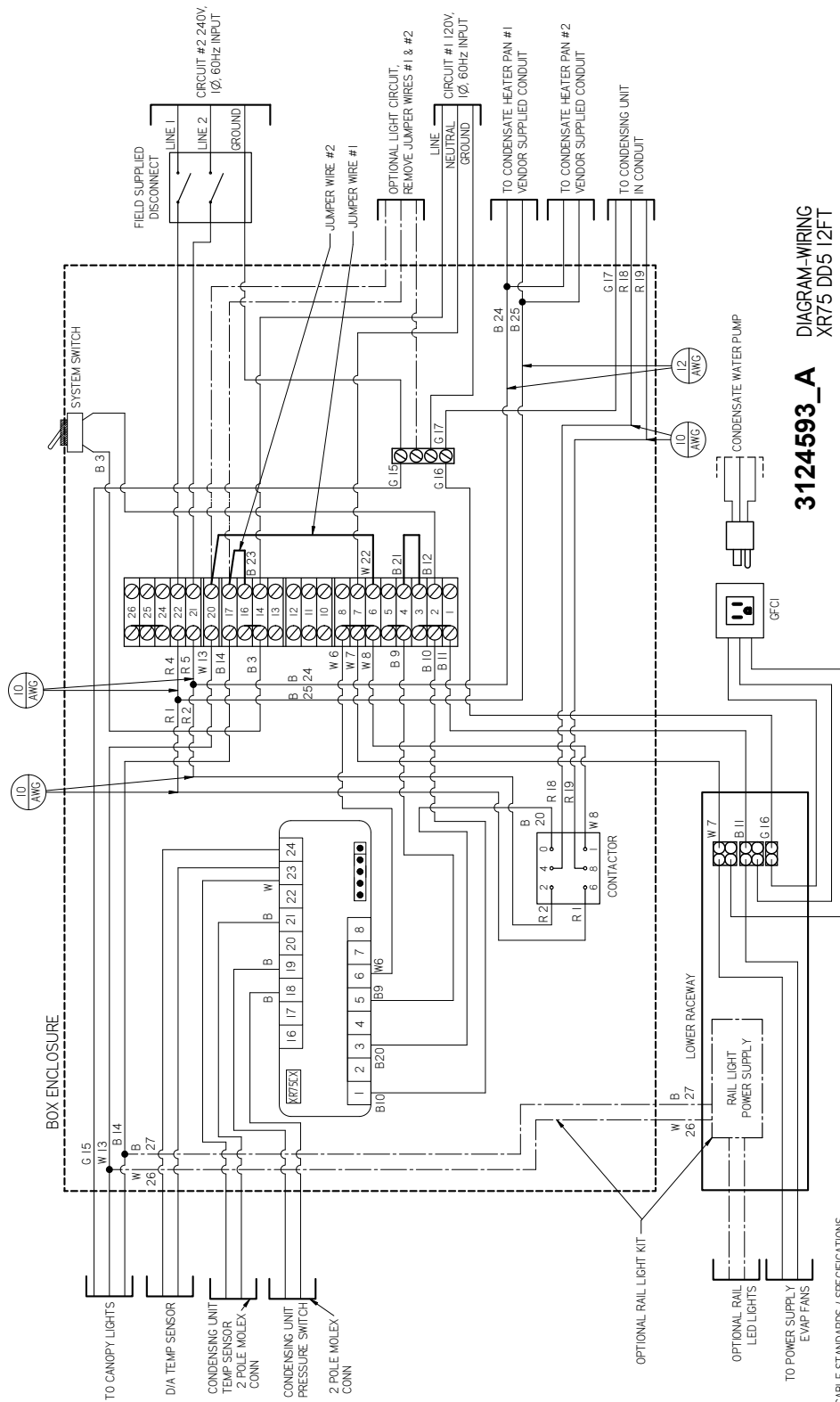
- NOTES:
1. WIRE CABLE STANDARDS / SPECIFICATIONS ASME Y14.5M-1994 DIMENSIONS AND TOLERANCES
  2. KEY PRODUCT CHARACTERISTICS PER EPR-0006 & IDENTIFIED WITH SYMBOL
  3. REF 0524821
  4. ALL POWER WIRING TO BE 14 AWG EXCEPT AS MARKED FOR CONDENSING UNIT AND HEATER PANS.
  5. DON'T USE SHELF LIGHTING WHEN RAIL LIGHTS USED.



**3079627\_C** DIAGRAM-WIRING  
 XR75 DDF5

# Excel Wiring Diagram XR75 DD5 12 Ft

# Excel Freedom Condensing Units for Multi-Deck Cases

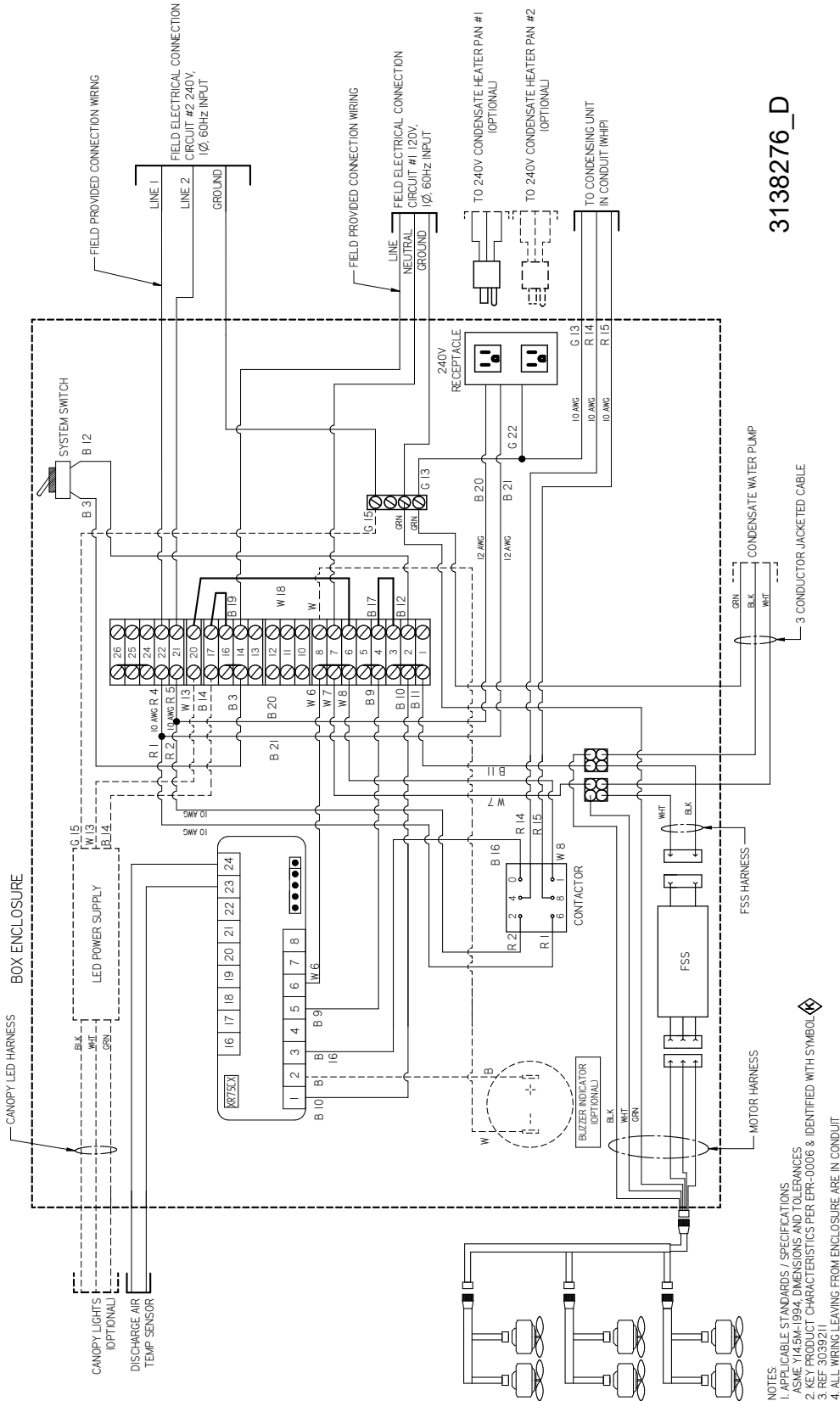


**3124593\_A** DIAGRAM-WIRING  
XR75 DD5 12FT

- NOTES:
1. APPLICABLE STANDARDS / SPECIFICATIONS.
  2. ASME Y14.5M 1994 DIMENSIONS AND TOLERANCES.
  3. KEY PRODUCT CHARACTERISTICS PER EPR-0006 & IDENTIFIED WITH SYMBOL.
  4. ALL POWER WIRING TO BE 14 AWG EXCEPT AS MARKED FOR CONDENSING UNIT AND HEATER PANS.
  5. DON'T USE SHELF LIGHTING WHEN RAIL LIGHTS USED.

**Excel Freedom  
Condensing Units for  
Multi-Deck Cases**

**Excel Wiring Diagram  
XR75 EGPF-MT**



3138276\_D

- NOTES
1. APPL. CABLE STANDARDS / SPECIFICATIONS ASME Y14.5M-1994. DIMENSIONS AND TOLERANCES
  2. KEY PRODUCT CHARACTERISTICS PER EPR-0006 & IDENTIFIED WITH SYMBOL
  3. REF. 3039211
  4. ALL WIRING LEAVING FROM ENCLOSURE ARE IN CONDUIT