



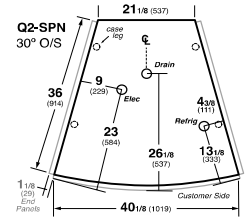
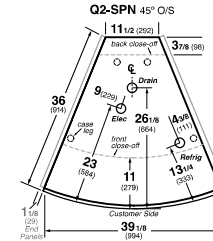
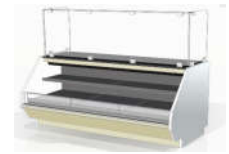
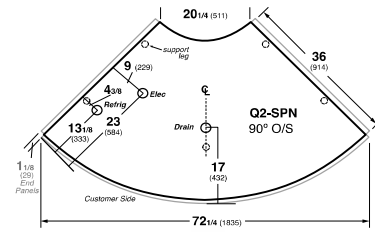
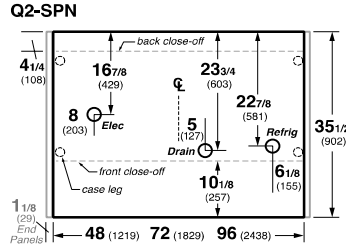
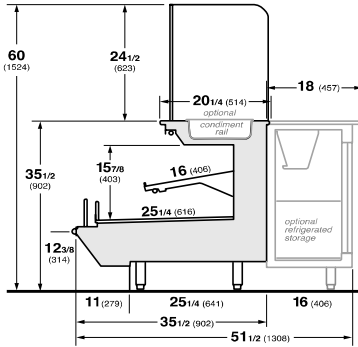
SELF-SERVICE DELI
HUSSMANN - Q2-SPN (CHINO)

REVISION DATE

03/05/19

DOE 2017 Energy Efficiency Compliant
 Hussmann refrigerated merchandisers configured for sale for use in the United States meet or surpass the requirements of the DOE 2017 energy efficiency standards.

Q2-SPN
 Self-Service Front, Prep Top
 Shown with Optional Rear Storage, Condiment Pans



REFRIGERATION DATA:

CASE LENGTHS/ WEDGES	CASE USAGE	CAPACITY *** (BTU/HR/FT) (TOTAL FOR WEDGES)		TEMPERATURE (°F)			VELOCITY (FT/MIN)
		RATING CONDITION		EVAPORATOR		DISCHARGE AIR ** (°F)	
		NSF 7	AHRI 1200	NSF 7	AHRI 1200	NSF 7	
4', 5', 6', 8', 10', 12'	SS DELI	640	565	22	24	33-35	190-225
22.5° OS	SS DELI	2380	2380	22	22	33-35	175-200
45° OS	SS DELI	1820	1820	24	24	33-35	175-200
90° OS	SS DELI	3860	3860	20	20	33-35	175-200
30° OS	SS DELI	2280	2280	20	20	33-35	175-200
REAR STORAGE	SS DELI	100	90	20	26	30-34	380-600

CASE LENGTH S	EST. REFG. CHRG. 404A (LBS)	GLYCOL (20°F INLET, 6° RISE)			
		FRONT		REAR STORAGE	
		GPM	PSI	GPM	PSI
4'	0.5	0.9	2.3	0.1	0.0
5'	0.7	1.1	3.7	0.2	0.1
6'	0.8	1.3	5.3	0.2	0.2
8'	1.1	1.8	2.4	0.3	0.4
10'	1.4	2.2	4.2	0.3	0.6
12'	1.6	2.6	5.0	0.4	0.8
22.5° OS	0.3	0.8	1.4	N/A	N/A
45° OS	0.3	0.6	0.6	N/A	N/A
90° OS	0.4	1.2	2.5	N/A	N/A
30° OS	0.4	0.7	1.1	N/A	N/A

*FRONT DISCHARGE AIR MEASURED INSIDE AIR CURTAIN HONEYCOMB; REAR STORAGE MEASURED AT EXIT TO COIL

****REFRIGERATION NOTES:**

- 1) BTU'S INCLUDE CANOPY LIGHTS. ADD 10 BTUS/SHELF/FT FOR EACH SHELF (LIGHT)
- 2) AHRI 1200 RATING POINT FOR ENERGY CONSUMPTION COMPARISON ONLY
- 3) USE DEW POINT FOR HIGH GLIDE REFRIGERANTS. CARE SHOULD BE TAKEN TO USE THE DEW POINT IN P/T TABLES FOR MEASURING AND ADJUSTING SUPERHEAT. ADJUST EVAPORATOR PRESSURE AS NEEDED TO MAINTAIN THE DISCHARGE AIR TEMPERATURE SHOWN.
- 4) RATING CONDITION IS NSF TYPE I, 75°F/55% RH

REFRIGERATION DATA CONTINUED:

LOCATION	ELEC. THERMOSTAT / AIR SENSOR SETTINGS		DEFROST TYPE	TIME (MIN)	DEFROST FREQUENCY (#/DAY)	TERM. TEMP (°F) COIL ONLY	DRIP TIME	DEFROST WATER (LBS/DAY/FT)	
	USAGE	CUT IN (°F)							CUT OUT (°F)
TOP	SS DELI	34	30	OFF TIME	30	4	48	TBD	0.6
REAR STORAGE	SS DELI	35	32				45		0.7

END PANEL WIDTH KEY		
# OF END PNLS	END PNL WIDTH (IN.)	TOTAL ADDED LENGTH (IN.)
1	1.125	1.125
2	1.125	2.25

ELECTRICAL DATA:

STANDARD FANS, HEATERS, LED LIGHTS (115 VOLT)

CASE LENGTH	EVAPORATOR FANS				EVAPORATOR FANS; REAR STORAGE		CANOPY LIGHTS LED		OPTIONAL LED SHELF LIGHTS		MAX. LED LOAD (W/ ALL OPTIONS)		ANTI-SWEAT HEATERS		CONVENIENCE OUTLETS (OPTIONAL)			
	# OF EVAP FANS	BLADE DIA. (IN.)	BLADE PITCH (°)	AMPS	WATTS	AMPS	WATTS	AMPS	WATTS	AMPS	WATTS	AMPS	WATTS	AMPS	WATTS	# OUTLETS	VOLTS	AMPS
4'	2	6.7	25	0.24	16	0.3	9	0.09	10	0.09	10	0.18	21	0.20	23	1	115	15
5'	2	6.7	30	0.24	16	0.3	9	0.11	13	0.11	13	0.23	26	0.25	29	1	115	15
6'	4	6.7	20	0.48	32	0.3	9	0.13	15	0.13	15	0.27	31	0.30	34	1	115	15
8'	4	6.7	25	0.48	32	0.3	9	0.18	21	0.18	21	0.36	41	0.40	46	1	115	15
10'	4	6.7	30	0.48	32	0.3	9	0.23	26	0.23	26	0.45	52	0.50	57	1	115	15
12'	6	6.7	25	0.72	48	0.3	9	0.26	30	0.27	31	0.53	61	0.59	68	2	115	30
22.5° OS	1	6.7	25	0.12	8	N/A	N/A	0.07	8	0.07	8	0.13	15	0.15	17	N/A	N/A	N/A
45° OS	1	6.7	25	0.12	8	N/A	N/A	0.04	5	0.06	7	0.10	12	0.10	11	N/A	N/A	N/A
90° OS	3	6.7	25	0.36	24	N/A	N/A	0.04	5	0.04	5	0.09	10	0.25	29	N/A	N/A	N/A
30° OS	1		AXIAL	0.14	20	N/A	N/A	0.04	5	0.04	5	0.09	10	0.15	17	N/A	N/A	N/A

OPTIONAL HIGH OUTPUT LED LIGHTS (115 VOLT)

CASE LENGTH	CANOPY LIGHTS H.O. LED		OPTIONAL SHELF		MAX. H.O. LED LOAD	
	AMPS	WATTS	AMPS	WATTS	AMPS	WATTS
4'	N/A	N/A	N/A	N/A	N/A	N/A
5'	N/A	N/A	N/A	N/A	N/A	N/A
6'	N/A	N/A	N/A	N/A	N/A	N/A
8'	N/A	N/A	N/A	N/A	N/A	N/A
10'	N/A	N/A	N/A	N/A	N/A	N/A
12'	N/A	N/A	N/A	N/A	N/A	N/A
22.5° OS	N/A	N/A	N/A	N/A	N/A	N/A
45° OS	N/A	N/A	N/A	N/A	N/A	N/A
90° OS	N/A	N/A	N/A	N/A	N/A	N/A
30° OS	N/A	N/A	N/A	N/A	N/A	N/A
REAR STORAGE	N/A	N/A	N/A	N/A	N/A	N/A