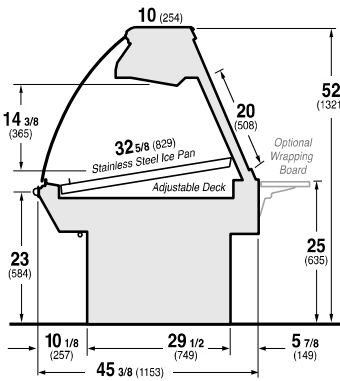




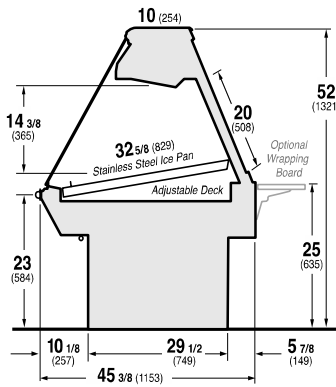
Hussmann refrigerated merchandisers configured for sale for use in the United States meet or surpass the requirements of the DOE 2017 energy efficiency standards.



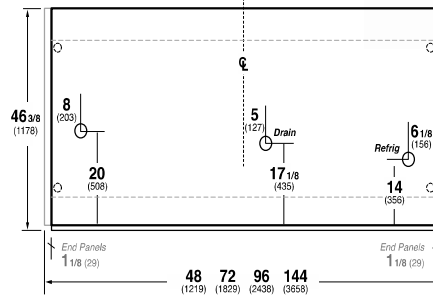
Q3-FC Service Fish



Q3-FS Service Fish



Q3-FS, Q3-FS



REFRIGERATION DATA:

CASE LENGTHS/ WEDGES	CASE USAGE	CAPACITY *** (BTU/HR/FT) (TOTAL FOR WEDGES)				TEMPERATURE (°F)		VELOCITY (FT/MIN)
		RATING CONDITION		EVAPORATOR		DISCHARGE AIR ** (°F)		
		NSF 7	AHRI 1200	NSF 7	AHRI 1200	NSF 7		
4', 5', 6', 8', 10', 12'	FISH	315	315	20	20	26~28		50~75
22.5° IS	FISH	650	650	20	20	26~28		50~75
22.5° OS	FISH	650	650	20	20	26~28		50~75

CASE LENGTHS	EST. REFRG. CHR.G. 404A (LBS)	GLYCOL (20°F INLET, 6° RISE)	
		GPM	PSI
4'	0.5	0.4	0.8
5'	0.7	0.5	1.5
6'	0.7	0.7	2.3
8'	1.0	0.9	4.4
10'	1.4	1.1	7.1
12'	1.5	1.2	10.2
22.5° IS	0.3	0.2	0.4
22.5° OS	0.3	0.2	0.9

**FRONT DISCHARGE AIR MEASURED INSIDE AIR CURTAIN HONEYCOMB

***REFRIGERATION NOTES:

- 1) BTU'S INCLUDE 1 ROW CANOPY LED LIGHTS.
- 2) AHRI 1200 RATING POINT FOR ENERGY CONSUMPTION COMPARISON ONLY.
- 3) USE DEW POINT FOR HIGH GLIDE REFRIGERANTS. CARE SHOULD BE TAKEN TO USE THE DEW POINT IN P/T TABLES FOR MEASURING AND ADJUSTING SUPERHEAT. ADJUST EVAPORATOR PRESSURE AS NEEDED TO MAINTAIN THE DISCHARGE AIR TEMPERATURE SHOWN.
- 4) THE PRINCIPAL COOLING EFFECT IN FISH CASES IS ACCOMPLISHED WITH A TRADITIONAL ICE BED. THE REFRIGERATION PRESERVES THE ICE AND MAINTAINS A COLD PROTECTIVE LAYER OVER THE PRODUCT.
- 5) RATING CONDITION IS NSF TYPE I, 75°F/55% RH

REFRIGERATION DATA CONTINUED:

ELEC. THERMOSTAT / AIR SENSOR SETTINGS			DEFROST TYPE	TIME (MIN)	DEFROST FREQUENCY (#/DAY)	TERM. TEMP (°F) COIL ONLY	DRIP TIME	DEFROST WATER (LBS/DAY/FT)
USAGE	CUT IN (°F)	CUT OUT (°F)						
FISH	28	25	OFF TIME	50	2	48	N/A	2.4

END PANEL WIDTH KEY		
# OF END PNLS	END PNL WIDTH (IN.)	TOTAL ADDED LENGTH (IN.)
1	1.125	1.125
2	1.125	2.25

ELECTRICAL DATA:

STANDARD FANS, HEATERS, LED LIGHTS (115 VOLT)

CASE LENGTH	AIRSWEEP FANS			CANOPY LIGHTS LED		OPTIONAL LED SHELF LIGHTS		MAX. LED LOAD (W/ ALL OPTIONS)		ANTI-SWEAT HEATERS		CONVENIENCE OUTLETS (OPTIONAL)		
	# OF FANS	AMPS	WATTS	AMPS	WATTS	AMPS	WATTS	AMPS	WATTS	AMPS	WATTS	# OUTLETS	VOLTS	AMPS
4'	1	0.1	8.8	0.2	21	N/A	N/A	0.2	21	N/A	N/A	1	115	15
5'	1	0.1	8.8	0.2	26	N/A	N/A	0.2	26	N/A	N/A	1	115	15
6'	1	0.1	8.8	0.3	30	N/A	N/A	0.3	30	N/A	N/A	1	115	15
8'	2	0.2	17.6	0.4	41	N/A	N/A	0.4	41	N/A	N/A	1	115	15
10'	2	0.2	17.6	0.5	52	N/A	N/A	0.5	52	N/A	N/A	1	115	15
12'	3	0.2	26.4	0.5	62	N/A	N/A	0.5	62	N/A	N/A	2	115	30
22.5° IS	1	0.1	8.8	0.1	10	N/A	N/A	0.1	10	N/A	N/A	1	115	15
22.5° OS	1	0.1	8.8	0.1	10	N/A	N/A	0.1	10	N/A	N/A	1	115	15

OPTIONAL HIGH OUTPUT LED LIGHTS (115 VOLT)

CASE LENGTH	CANOPY LIGHTS H.O. LED		OPTIONAL SHELF		MAX. H.O. LED LOAD	
	AMPS	WATTS	AMPS	WATTS	AMPS	WATTS
4'	0.2	28	N/A	N/A	0.2	28
5'	N/A	N/A	N/A	N/A	N/A	N/A
6'	N/A	N/A	N/A	N/A	N/A	N/A
8'	0.5	56	N/A	N/A	0.5	56
10'	N/A	N/A	N/A	N/A	N/A	N/A
12'	0.7	85	N/A	N/A	0.7	85
22.5° IS	N/A	N/A	N/A	N/A	N/A	N/A
22.5° OS	N/A	N/A	N/A	N/A	N/A	N/A