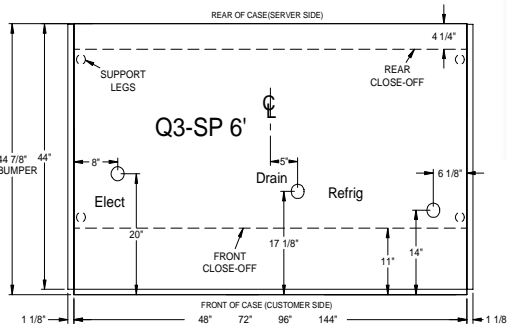
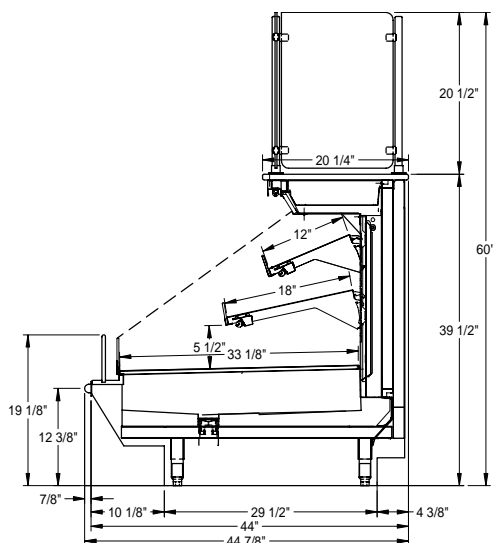




SELF-SERVICE DELI
HUSSMANN - Q3-SP-EP HIGH EFFECIENCY(CHINO)

DOE 2012
 Energy Efficiency
 Compliant

Hussmann refrigerated merchandisers configured for sale for use in the United States meet or surpass the requirements of the DOE 2012 energy efficiency standards.



REFRIGERATION DATA:

CASE LENGTH	CASE USAGE	CAPACITY (BTU/HR/TOTAL)		TEMPERATURE (°F)						VELOCITY (FT/MIN)	EST. REFG. CHR.G. (LBS)	GLYCOL REQUIREMENTS	
				EVAPORATOR		UNIT SIZING*		DISCHARGE AIR				GPM	PSI
				PAR	CONV	PAR	CONV	PAR	CONV			PAR	CONV
4'	SS DELI	2800	3220	26	26	24	24	33	33	180-220	TBD	TBD	TBD
6'	SS DELI	4200	4830	26	26	24	24	33	33	180-220	TBD	TBD	TBD
8'	SS DELI	5600	6440	26	26	24	24	33	33	180-220	TBD	TBD	TBD
12'	SS DELI	8400	9660	26	26	24	24	33	33	180-220	TBD	TBD	TBD

*2° F less than evaporator for pressure loss in refrigerant lines

END PANEL WIDTH KEY

# OF END PNLS	END PNL WIDTH (IN.)	TOTAL ADDED LENGTH (IN.)
1	1.125	1.125
2	1.125	2.25

LEGEND

PAR- PARALLEL
 CONV- CONVENTIONAL
 N/A - NOT AVAILABLE
 TBD - TO BE DETERMINED

REFRIGERATION DATA CONTINUED:

ELEC. THERMOSTAT / AIR SENSOR SETTINGS			EPR SETTINGS			CONVENTIONAL COMPRESSOR SETTINGS					
USAGE	CUT IN (°F)	CUT OUT (°F)	R22 (PSIG)	R404A (PSIG)	R407A (PSIG)	R22		R404A		R407A	
						CUT IN (PSI)	CUT OUT (PSI)	CUT IN (PSI)	CUT OUT (PSI)	CUT IN (PSI)	CUT OUT (PSI)
TEMP. CONTROL	34	30	50	64.8	51	N/A	N/A	N/A	N/A	N/A	N/A

***** REFRIGERATION NOTES:**

1) ADD 10 BTUS/FT FOR SHELF OR CANOPY LED LIGHTS

ELECTRICAL DATA:

FANS AND HEATERS (120 VOLT)

CASE LENGTH	# EVAP FANS / CASE	TOTAL EE FANS		LED CANOPY LIGHTS (OPTIONAL) ***		# SHLVS	LED SHELF LIGHTS (OPTIONAL)		TOTAL LED LIGHTS		***ANTI-SWEAT HEATER TAPE (LED CANOPY ONLY)		LEDGE LIGHTS (OPTIONAL)	
		AMPS	WATTS	AMPS	WATTS		AMPS	WATTS	AMPS	WATTS	AMPS	WATTS	AMPS	WATTS
4'	2	0.24	14	0.08	8.8	1	0.08	8.8	0.16	17.6	0.37	40	0.08	8.8
6'	4	0.48	28	0.12	13.2	1	0.12	13.2	0.24	26.4	0.53	60	0.12	13.2
8'	4	0.48	28	0.16	17.6	1	0.16	17.6	0.32	35.2	0.72	80	0.16	17.6
12'	6	0.72	42	0.24	26.4	1	0.24	26.4	0.47	52.8	1.11	120	0.24	26.4

*** LED CANOPY LIGHT OPTION REQUIRES AN ANTI-SWEAT HEATER TAPE IN THE CANOPY: SEE SPECS ABOVE

ELECTRICAL DATA CONTINUED:

CASE LENGTH	CONVENIENCE OUTLETS (Optional)		
	#OUTLETS	VOLTS	AMPS
4'	1	115	15
6'	1	115	15
8'	1	115	15
12'	2	115	30

DEFROST DATA:

CASE LENGTH	DEFROST TYPE	TIME (MIN.)	TERM. TEMP (°F) COIL ONLY	DRIP TIME (MIN.)	DEFROST PER DAY	ELECTRICAL DEFROST 208V 1 PHASE		DEFROST WATER (LB/DAY)
						AMPS	WATTS	
4'	OFF TIME	25	42	N/A	6	N/A	N/A	12
6'	OFF TIME	25	42	N/A	6	N/A	N/A	18
8'	OFF TIME	25	42	N/A	6	N/A	N/A	24
12'	OFF TIME	25	42	N/A	6	N/A	N/A	36

OPTIONS/NOTES:

1. GFCI receptacles are optional and supplied with the case when ordered