

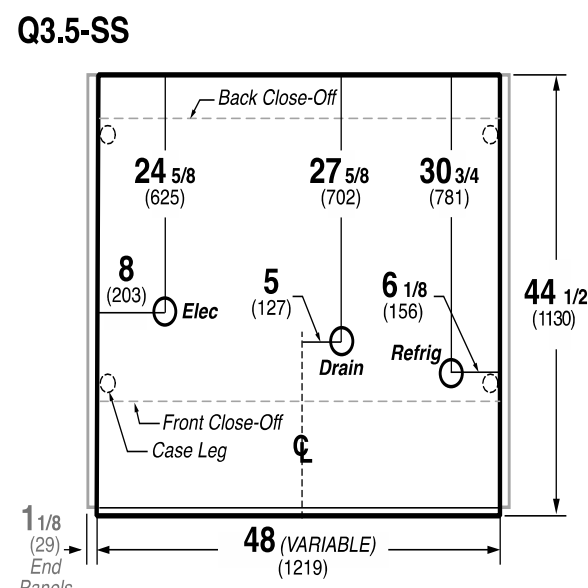
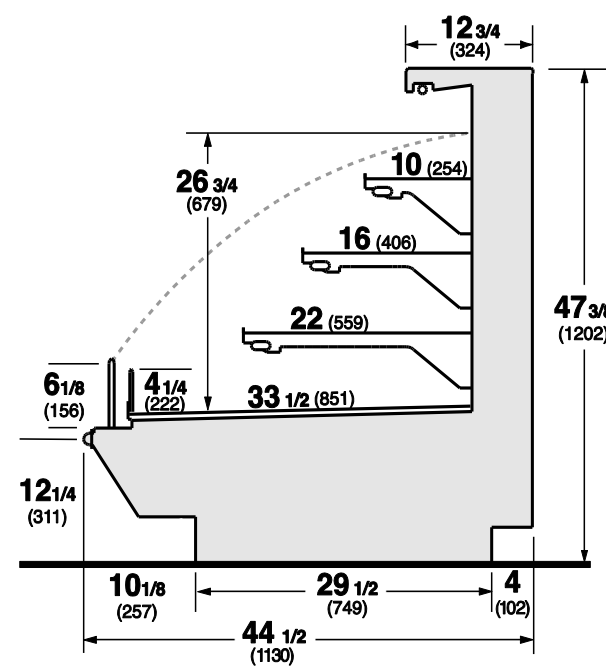


**SELF-SERVICE DELI**  
**HUSSMANN - Q3.5-SS (CHINO)**



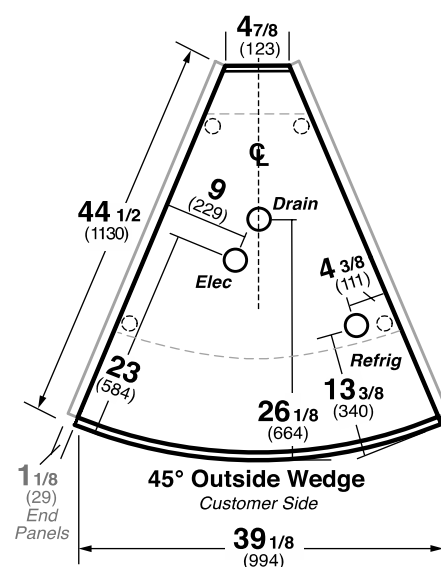
Hussmann refrigerated merchandisers configured for sale for use in the United States meet or surpass the requirements of the DOE 2012 energy efficiency standards.

**Q3.5-SS**  
 Self-Service Multi-Deck with flat shelves

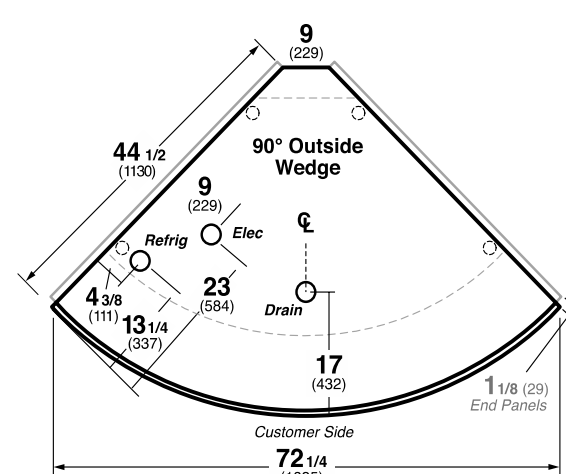


Notes:  
 Contact your sales representative for information on possible availability of additional case lengths.

**Q3.5-SS 45° O/S**



**Q3.5-SS 90° O/S**



**REFRIGERATION DATA:**

CASE LENGTH	CASE USAGE	CAPACITY (BTU/HR/TOTAL) ***		TEMPERATURE (°F)							EST. REFG. CHRGE. (LBS)	GLYCOL REQUIREMENTS	
				EVAPORATOR		UNIT SIZING*		DISCHARGE AIR					
				PAR	CONV	PAR	CONV	PAR	CONV	VELOCITY (FT/MIN)			
4'	SS DELI	3200	3680	20	20	18	18	30	30	200	TBD	TBD	TBD
5'	SS DELI	4000	4600	20	20	18	18	30	30	200	TBD	TBD	TBD
6'	SS DELI	4800	5520	20	20	18	18	30	30	200	TBD	TBD	TBD
8'	SS DELI	6400	7360	20	20	18	18	30	30	200	TBD	TBD	TBD
10'	SS DELI	8000	9200	20	20	18	18	30	30	200	TBD	TBD	TBD
12'	SS DELI	9600	11040	20	20	18	18	30	30	200	TBD	TBD	TBD
45° O/S	SS DELI	2500	2875	20	20	18	18	30	30	200	TBD	TBD	TBD
90° O/S	SS DELI	3500	4025	20	20	18	18	30	30	200	TBD	TBD	TBD

\*2° F less than evaporator for pressure loss in refrigerant lines

**END PANEL WIDTH KEY**

# OF END PNLS	END PNL WIDTH (IN.)	TOTAL ADDED LENGTH (IN.)
1	1.125	1.125
2	1.125	2.25

**LEGEND**  
 PAR - PARALLEL  
 CONV - CONVENTIONAL  
 N/A - NOT AVAILABLE  
 TBD - TO BE DETERMINED

**REFRIGERATION DATA CONTINUED:**

ELEC. THERMOSTAT / AIR SENSOR SETTINGS			EPR SETTINGS			CONVENTIONAL COMPRESSOR SETTINGS	
USAGE	CUT IN (°F)	CUT OUT (°F)	R22 (PSIG)	R404A (PSIG)	R407A (PSIG)	CUT IN (PSI)	CUT OUT (PSI)
TEMP. CONTROL	32	28	43	55	42	TBD	TBD

**\*\*\* REFRIGERATION NOTES:**

- 1) ALL DATA PRESENTED IS FOR TYPE I CONDITIONS (75F, 55% RH)
- 2) ADD 10BTUS/FT PER SHELF OR CANOPY LED LIGHTS
- 2) ADD 20BTUS/FT PER SHELF OR CANOPY T5 LIGHTS

**ELECTRICAL DATA:**

CASE LENGTH	FANS / CASE	FANS AND HEATERS (120 VOLT)				LIGHTING: 120V INPUT VOLTAGE													
		TOTAL FANS		T-5 CANOPY LIGHTS		LED CANOPY LIGHTS (OPTIONAL)		T-5 SHELF LIGHTS (OPTIONAL)			LED SHELF LIGHTS (OPTIONAL)		TOTAL T-5 LIGHTS		TOTAL LED LIGHTS		LEDGE LIGHTS (OPTIONAL)		
		AMPS	WATTS	AMPS	WATTS	AMPS	WATTS	# ROWS	AMPS	WATTS	AMPS	WATTS	AMPS	WATTS	AMPS	WATTS	AMPS	WATTS	
4'	2	0.24	14	0.26	28	0.08	8.8	3	0.78	84	0.24	26	1.04	112	0.32	35	0.26	28	
5'	2	0.24	14	0.32	35	0.1	11.1	3	0.97	105	0.31	33	1.29	140	0.41	44	0.32	35	
6'	4	0.48	28	0.39	42	0.12	13.2	3	1.17	126	0.37	40	1.56	168	0.49	53	0.39	42	
8'	4	0.48	28	0.52	56	0.16	17.6	3	1.56	168	0.49	53	2.08	224	0.65	70	0.52	56	
10'	4	0.48	28	0.65	70	0.21	22.2	3	1.94	210	0.62	67	2.59	280	0.83	89	0.65	70	
12'	6	0.72	42	0.78	84	0.24	26.4	3	2.33	252	0.73	79	3.11	336	0.97	106	0.78	84	
45° O/S	2	0.58	8	N/A	N/A	0.08	8.8	N/A	N/A	N/A	0.24	26	N/A	N/A	0.32	35	N/A	N/A	
90° O/S	2	0.58	8	N/A	N/A	0.16	17.6	N/A	N/A	N/A	0.49	53	N/A	N/A	0.65	71	N/A	N/A	

**ELECTRICAL DATA CONTINUED:**

CASE LENGTH	CONDENSING UNIT 208V 1 PHASE		DRAIN EVAP PAN 120V		CONVENIENCE OUTLETS (Optional)		
	AMPS	WATTS	AMPS	WATTS	# OUTLETS	VOLTS	AMPS
	4'	TBD	TBD	TBD	TBD	N/A	N/A
5'	TBD	TBD	TBD	TBD	N/A	N/A	N/A
6'	TBD	TBD	TBD	TBD	N/A	N/A	N/A
8'	TBD	TBD	TBD	TBD	N/A	N/A	N/A
10'	TBD	TBD	TBD	TBD	N/A	N/A	N/A
12'	TBD	TBD	TBD	TBD	N/A	N/A	N/A
45° O/S	TBD	TBD	TBD	TBD	N/A	N/A	N/A
90° O/S	TBD	TBD	TBD	TBD	N/A	N/A	N/A

**DEFROST DATA:**

CASE LENGTH	DEFROST TYPE	TIME (MIN.)	TERM. TEMP (°F) COIL ONLY	DRIP TIME (MIN.)	DEFROST PER DAY	ELECTRICAL DEFROST 208V 1 PHASE		DEFROST WATER (LB/DAY)
						AMPS	WATTS	
						4'	OFF TIME	
5'	OFF TIME	25	48	NA	6	NA	NA	30
6'	OFF TIME	25	48	NA	6	NA	NA	40
8'	OFF TIME	25	48	NA	6	NA	NA	50
10'	OFF TIME	25	48	NA	6	NA	NA	60
12'	OFF TIME	25	48	NA	6	NA	NA	75
45° O/S	OFF TIME	25	48	NA	6	NA	NA	20
90° O/S	OFF TIME	25	48	NA	6	NA	NA	30

**OPTIONS/NOTES:**