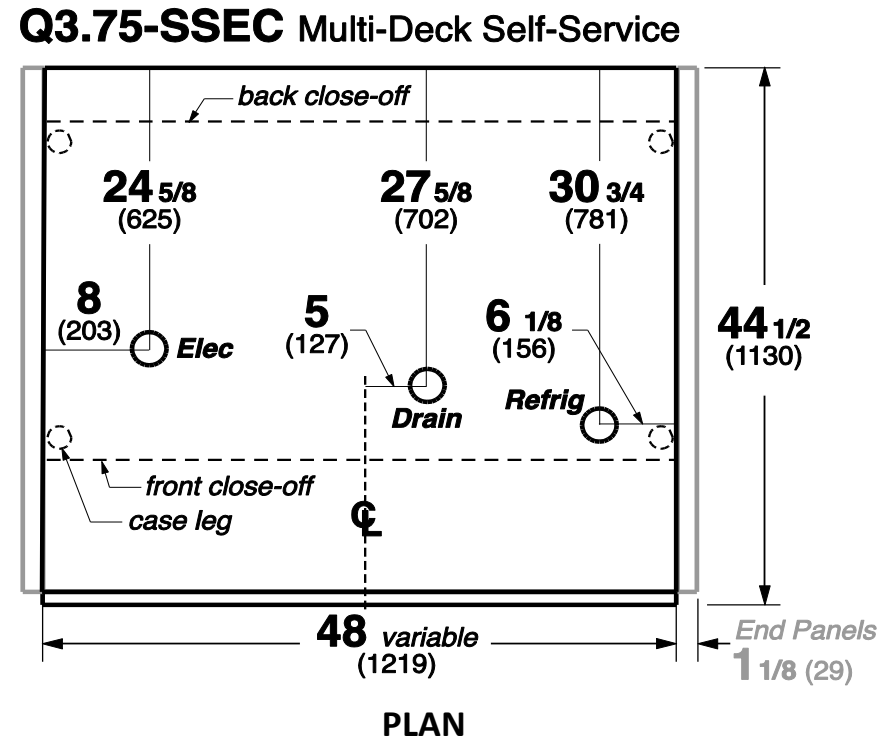
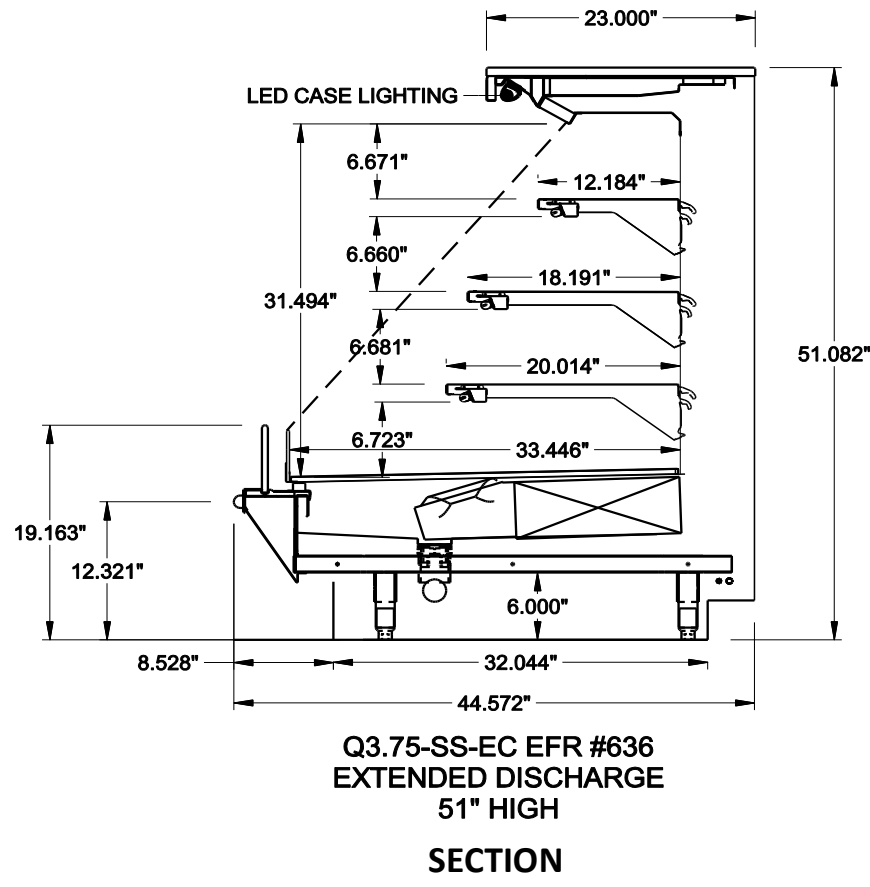




**SELF-SERVICE DELI**  
**HUSSMANN - Q3.75-SS-EC HIGH EFFICIENCY (CHINO)**



Hussmann refrigerated merchandisers configured for sale for use in the United States meet or surpass the requirements of the DOE 2012 energy efficiency standards.



**REFRIGERATION DATA:**

CASE LENGTH	CASE USAGE	CAPACITY (BTU/HR/TOTAL) ***		TEMPERATURE (°F)							EST. REFG. CHR.G.	GLYCOL REQUIREMENTS	
				EVAPORATOR		UNIT SIZING*		DISCHARGE AIR***		VELOCITY			
				PAR	CONV	PAR	CONV	PAR	CONV				
4'	SS DELI	3,680	4,232	26	26	24	24	31	31	125 - 150	0.50	1.10	2.50
6'	SS DELI	5,520	6,348	26	26	24	24	31	31	125 - 150	0.80	1.60	1.30
8'	SS DELI	7,360	8,464	26	26	24	24	31	31	125 - 150	1.10	2.10	2.40
12'	SS DELI	11,040	12,696	26	26	24	24	31	31	125 - 150	1.60	3.10	2.50

\*2° F less than evaporator for pressure loss in refrigerant lines

**END PANEL WIDTH KEY**

# OF END PNL'S	END PNL WIDTH (IN.)	TOTAL ADDED LENGTH (IN.)
1	1.125	1.125
2	1.125	2.25

**LEGEND**

PAR-	PARALLEL (REMOTE)
CONV-	CONVENTIONAL (SELF-CONT)
N/A -	NOT AVAILABLE
TBD -	TO BE DETERMINED
EE-	ENERGY EFFICIENT

**REFRIGERATION DATA CONTINUED:**

ELEC. THERMOSTAT / AIR SENSOR SETTINGS			EPR SETTINGS @ 26F			CONVENTIONAL COMPRESSOR R404A	
USAGE	CUT IN (°F)	CUT OUT (°F)	R22 (PSIG)	R404A (PSIG)	R407A (PSIG)	CUT IN (PSI)	CUT OUT (PSI)
TEMP. CONTROL	NA	NA	50.00	64.80	49.60	TBD	TBD

**\*\*\* REFRIGERATION NOTES:**

- 1) BTUS LISTED ARE WITH NO LIGHTS
- 2) ADD 10 BTU'S PER FOOT/PER SHELF OR CANOPY FOR OPTIONAL LED LIGHTS \*\*

**ELECTRICAL DATA:**

CASE LENGTH	FANS / CASE	TOTAL FANS ENERGY EFFICIENT		LED CANOPY LIGHTS (OPTIONAL)		LED SHELF LIGHTS (OPTIONAL)		TOTAL LED LIGHTS		
		AMPS	WATTS	AMPS	WATTS	# SHLVS	AMPS	WATTS	AMPS	WATTS
		4'	2	0.58	8.00	0.08	8.80	3.00	0.24	26.40
6'	4	1.16	16.00	0.12	13.20	6.00	0.37	39.60	0.49	52.80
8'	4	1.16	16.00	0.16	17.60	6.00	0.49	52.80	0.65	70.40
12'	6	1.74	24.00	0.24	26.40	9.00	0.73	79.20	0.97	105.60

**ELECTRICAL DATA CONTINUED:**

CASE LENGTH	CONDENSING UNIT (208V / 1 PHASE)		DRAIN EVAP PAN (120V)		CONVENIENCE OUTLETS (Optional)		
	AMPS	WATTS	AMPS	WATTS	# OUTLETS	VOLTS	AMPS
4'	TBD	TBD	TBD	TBD	N/A	N/A	N/A
6'	TBD	TBD	TBD	TBD	N/A	N/A	N/A
8'	TBD	TBD	TBD	TBD	N/A	N/A	N/A
12'	TBD	TBD	TBD	TBD	N/A	N/A	N/A

**DEFROST DATA:**

CASE LENGTH	DEFROST TYPE	TIME (MIN.)	TERM. TEMP (°F)	TEMP COIL ONLY	DRIP TIME (MIN.)	DEFROST DAY	PER	ELECTRICAL DEFROST 208V 1 PHASE		DEFROST WATER (LB / DAY)
								AMPS	WATTS	
4'	OFF TIME	24	48	NA	NA	6	NA	NA	20.00	
6'	OFF TIME	24	48	NA	NA	6	NA	NA	30.00	
8'	OFF TIME	24	48	NA	NA	6	NA	NA	40.00	
12'	OFF TIME	24	48	NA	NA	6	NA	NA	60.00	

**OPTIONS/NOTES:**