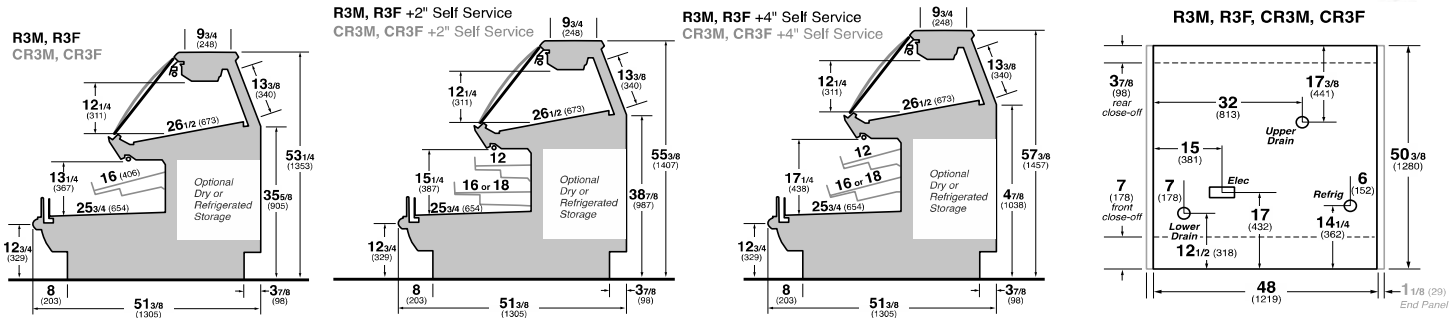




Hussmann refrigerated merchandisers configured for sale for use in the United States meet or surpass the requirements of the DOE 2017 energy efficiency standards.



**REFRIGERATION DATA:**

CASE LENGTHS/ WEDGES	CASE USAGE	CAPACITY TOP/FRONT *** (BTU/HR/FT)		TEMPERATURE (°F)			VELOCITY (TOP/FRONT) (FT/MIN)
		RATING CONDITION		EVAPORATOR		DISCHARGE AIR (TOP/FRONT**) °F	
		NSF 7	AHRI 1200	NSF 7	AHRI 1200	NSF 7	
		NSF 7	AHRI 1200	NSF 7	AHRI 1200	NSF 7	
4',5',6',8',10',12'	MEAT / FISH	250/750	140/530	20	24	26/30	150~100/175~200
REAR STORAGE	MEAT / FISH	110	90	20	26	29	600~700

CASE LENGTH	EST. REFG. CHRG. R404A (LBS) FISH	EST. REFG. CHRG. R404A (LBS) MEAT	20°F GLYCOL 6° RISE INLET TOP		20°F GLYCOL 6° RISE INLET FRONT		20° GLYCOL 6° RISE INLET OPTION REFRIGERATED REAR STORAGE	
			GPM	PSI	GPM	PSI	GPM	PSI
4'	1.7	2.8	0.4	1.0	1.1	3.4	0.2	0.1
5'	2.1	2.1	0.4	1.6	1.3	5.1	0.2	0.2
6'	0.5	0.9	0.5	2.7	1.5	8.1	0.2	0.3
8'	0.9	1.4	0.7	4.8	2.0	2.1	0.3	0.5
10'	0.9	1.4	0.8	7.2	2.5	10.2	0.4	0.8
12'	1.1	1.8	1.0	0.6	3.0	2.6	0.5	0.4

\*\*FRONT DISCHARGE AIR MEASURED INSIDE AIR CURTAIN HONEYCOMB

\*\*\*REFRIGERATION NOTES:

- 1) BTU'S INCLUDE 2 ROWS (1 TOP; 1 FRONT) CANOPY LED LIGHTS AND NO SHELF LIGHTS
- 2) ADD 10 BTU'S PER FOOT/PER SHELF FOR OPTIONAL LED SHELF LIGHTS
- 3) 2H OPTION: ADD 30 BTU/HR/FT FOR THE FRONT; ADD 5 BTU/HR/FT FOR THE REAR STORAGE.
- 4) 4H OPTION: ADD 80 BTU/HR/FT FOR THE FRONT; ADD 10 BTU/HR/FT FOR THE REAR STORAGE.
- 5) DEDUCT 75 BTU/HR/FT FROM TOP FOR ICE PAN APPLICATIONS
- 6) AHRI 1200 RATING POINT FOR ENERGY CONSUMPTION COMPARISON ONLY
- 7) USE DEW POINT FOR HIGH GLIDE REFRIGERANTS. CARE SHOULD BE TAKEN TO USE THE DEW POINT IN P/T TABLES FOR MEASURING AND ADJUSTING SUPERHEAT. ADJUST EVAPORATOR PRESSURE AS NEEDED TO MAINTAIN THE DISCHARGE AIR TEMPERATURE SHOWN.
- 8) THE PRINCIPAL COOLING EFFECT IN FISH CASES IS ACCOMPLISHED WITH A TRADITIONAL ICE BED. THE REFRIGERATION PRESERVES THE ICE AND MAINTAINS A COLD PROTECTIVE LAYER OVER THE PRODUCT.
- 9) THE PRINCIPAL COOLING EFFECT IN FISH CASES IS ACCOMPLISHED WITH A TRADITIONAL ICE BED. THE REFRIGERATION PRESERVES THE ICE AND MAINTAINS A COLD PROTECTIVE LAYER OVER THE PRODUCT.
- 10) RATING CONDITION IS NSF TYPE I, 75°F/55% RH.

**REFRIGERATION DATA CONTINUED:**

LOCATION	ELEC. THERMOSTAT / AIR SENSOR SETTINGS		DEFROST TYPE	TIME (MIN)	DE- FROSTS PER DAY	TERM. TEMP (°F) COIL ONLY	DRIP TIME	DEFROST WATER (LBS/DAY/ FT)	FAN BLADE DIA.	FAN BLADE PITCH
	USAGE	CUT IN (°F)								
TOP	MEAT / FISH	29	26			45		0.34	NA	NA
FRONT	MEAT / FISH	31	28	OFF TIME	40	54	NA	2.78	6.75"	15° (20° FOR 5')
REFRIGERATED REAR STORAGE	MEAT / FISH	37	36			48		0.15	6.75"	30°

**END PANEL WIDTH KEY**

# OF END PNLS	END PNL WIDTH (IN.)	TOTAL ADDED LENGTH (IN.)
1	1.125	1.125
2	1.125	2.25

**ELECTRICAL DATA:**

STANDARD FANS, HEATERS, LED LIGHTS (115 VOLT)

CASE LENGTH	TOTAL EVAPORATOR FANS			CANOPY LIGHTS LED TOP & FRONT		OPTIONAL LED SHELF LIGHTS (FRONT)		OPTIONAL LED 2ND SHELF (FRONT) +2H & +4H ONLY		MAX. LED LOAD (W/ ALL OPTIONS)		ANTI-SWEAT HEATERS (ON DEFROST CIRCUIT)		REFRIGERATED REAR STORAGE (OPTIONAL) EVAP FANS			CONVENIENCE OUTLETS (OPTIONAL)		
	# OF EVAP FANS	AMPS	WATTS	AMPS	WATTS	AMPS	WATTS	AMPS	WATTS	AMPS	WATTS	AMPS	WATTS	# OF EVAP FANS	AMPS	WATTS	# OUTLET S	VOLTS	AMPS
4'	2	0.24	16	0.25	28	0.09	10	0.09	10	0.43	49	0.75	86	1	0.3	8.8	1	115	15
5'	2	0.24	16	0.32	36	0.11	13	0.11	13	0.54	62	0.94	108	1	0.3	8.8	1	115	15
6'	3	0.36	24	0.38	43	0.13	15	0.13	15	0.65	74	1.14	131	1	0.3	8.8	1	115	15
8'	4	0.48	32	0.49	57	0.18	21	0.18	21	0.85	98	1.71	197	1	0.3	8.8	1	115	15
10'	4	0.48	32	0.63	73	0.23	26	0.23	26	1.08	124	1.91	220	1	0.3	8.8	1	115	15
12'	6	0.72	48	0.74	85	0.27	31	0.27	31	1.28	147	2.30	264	1	0.3	8.8	2	115	30

**OPTIONAL HIGH OUTPUT LED LIGHTS (115 VOLT)**

CASE LENGTH	CANOPY LIGHTS H.O. LED TOP & FRONT		OPTIONAL SHELF (FRONT)		OPTIONAL 2ND SHELF (FRONT) +2H & +4H ONLY		MAX. H.O. LED LOAD	
	AMPS	WATTS	AMPS	WATTS	AMPS	WATTS	AMPS	WATTS
4'	0.38	43	0.13	15	0.13	15	0.64	74
5'	N/A	N/A	N/A	N/A	N/A	N/A	N/A	N/A
6'	N/A	N/A	N/A	N/A	N/A	N/A	N/A	N/A
8'	0.75	87	0.26	30	0.26	30	1.28	148
10'	N/A	N/A	N/A	N/A	N/A	N/A	N/A	N/A
12'	1.13	130	0.40	46	0.40	46	1.93	221