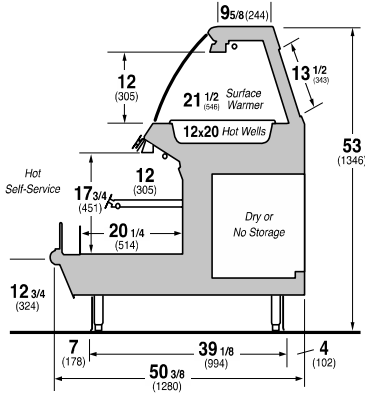
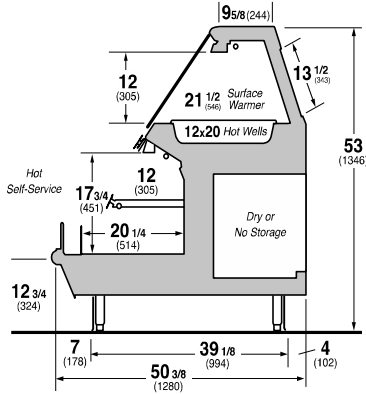


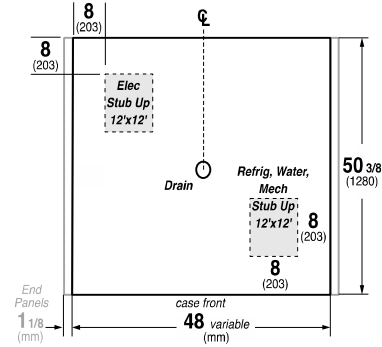


R3H-HF Hot Service, Hot Self-Service

CR3H-HF Hot Service, Hot Self-Service



R3H / CR3H



HOT CASE DATA: 60HZ, 3-PHASE

CASE LENGTH	CIRCUIT#1				CIRCUIT#1				CIRCUIT#2				CIRCUIT#2			
	208V								240V							
	L1	L2	L3	WATTS	L1	L2	L3	WATTS	L1	L2	L3	WATTS	L1	L2	L3	WATTS
4'	16.5	15.2	14.3	5524	18.9	17.5	16.5	7330	N/A	N/A	N/A	N/A	N/A	N/A	N/A	N/A
5'	13.7	19.8	19.9	6413	15.8	22.9	23	8549	N/A	N/A	N/A	N/A	N/A	N/A	N/A	N/A
6'	23.2	23.5	22.4	8298	26.6	27.1	25.9	11029	N/A	N/A	N/A	N/A	N/A	N/A	N/A	N/A
8'	11.1	14.4	12	4503	12.8	16.6	13.9	6000	20.8	20.8	9.3	6112	24.1	24.1	10.7	8161
10'	15.4	22.3	15.9	6437	17.5	25.8	18.3	8535	24	24	11.1	7097	27.7	27.7	12.8	9450
12'	21	23.1	18.4	7505	23.8	26.7	21.3	9949	16.1	16.1	16.1	5800	18.6	18.6	18.6	7732
TOTAL WATTS																
CASE LENGTH	208/3		240/3		*** LOADS INCLUDE SINGLE ROW CANOPY LIGHTS FOR BOTH TOP AND FRONT, SINGLE ROW FOR SHELVES											
	WATTS	WATTS	WATTS	WATTS												
4'	5524	7330														
5'	6413	8549														
6'	8298	11029														
8'	10615	14161														
10'	13534	17985														
12'	13305	17681														

END PANEL WIDTH KEY

# OF END PANELS	END PANEL WIDTH (IN.)	TOTAL ADDED LENGTH (IN.)
1	1.125	1.125
2	1.125	2.25

LEGEND
 N/A - NOT AVAILABLE
 TBD - TO BE DETERMINED

LIGHTING DATA:

T-5 LIGHTING (120 VOLT)

CASE LENGTH	# EVAP. FANS **	TOTAL FANS		DRAIN PAN HEATERS		CANOPY LIGHTS T-5 FRONT		SHELF LIGHTS (OPTIONAL) T-5		CANOPY LIGHTS T-5 TOP (HOT SECTION)		LEDGE LIGHTS		TOTAL LIGHTS		
		.12 AMPS EA. EE	AMPS	WATTS	AMPS	WATTS	AMPS	WATTS	# SHLVs	AMPS	WATTS	AMPS	WATTS	AMPS	WATTS	
4'	N/A	N/A	N/A	N/A	N/A	0.26	28	1	0.26	28	0.26	28	N/A	N/A	0.78	84
5'	N/A	N/A	N/A	N/A	N/A	0.32	35	1	0.32	35	0.32	35	N/A	N/A	0.96	105
6'	N/A	N/A	N/A	N/A	N/A	0.39	42	1	0.39	42	0.39	42	N/A	N/A	1.17	126
8'	N/A	N/A	N/A	N/A	N/A	0.52	56	1	0.52	56	0.52	56	N/A	N/A	1.56	168
10'	N/A	N/A	N/A	N/A	N/A	0.65	70	1	0.65	70	0.65	70	N/A	N/A	1.95	210
12'	N/A	N/A	N/A	N/A	N/A	0.78	84	1	0.78	84	0.78	84	N/A	N/A	2.34	252

ELECTRICAL DATA CONTINUED:

CASE LENGTH	CONDENSING UNIT VOLTS / PHASE			DRAIN EVAP PAN 120V		CONVENIENCE OUTLETS		
	208/1	240/1	H.P.	AMPS	WATTS	# OUTLETS	VOLTS	AMPS
	AMPS	AMPS						
4'	N/A	N/A	N/A	N/A	N/A	1	115	15
5'	N/A	N/A	N/A	N/A	N/A	1	115	15
6'	N/A	N/A	N/A	N/A	N/A	1	115	15
8'	N/A	N/A	N/A	N/A	N/A	1	115	15
10'	N/A	N/A	N/A	N/A	N/A	1	115	15
12'	N/A	N/A	N/A	N/A	N/A	1	115	15

OPTIONS/NOTES:

- 1) GFCI receptacles are optional and furnished with case when ordered
- 2) Metallic in-use cover shipped loose - installed in field