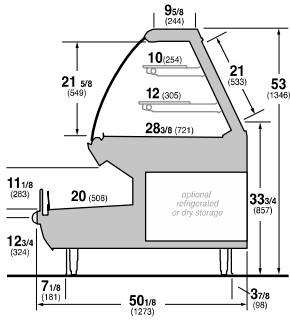


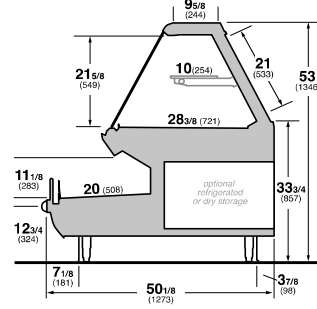
Hussmann refrigerated merchandisers configured for sale for use in the United States meet or surpass the requirements of the DOE 2017 energy efficiency standards.



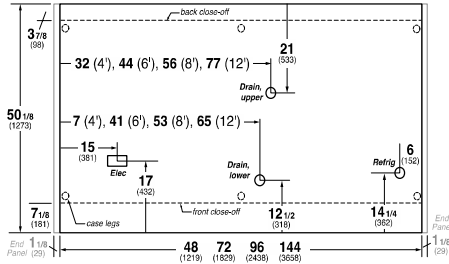
CR3HV-ND Curved Glass
High Volume Service Dome, Narrow Single Deck Self Service



R3HV-ND Straight Glass
High Volume Service Dome, Narrow Single Deck Self Service



R3HV-ND / CR3HV-ND



REFRIGERATION DATA:

CASE LENGTHS/ WEDGES	CASE USAGE	CAPACITY TOP/Front *** (BTU/HR/FT)		TEMPERATURE (°F)			VELOCITY (TOP/Front) (FT/MIN)
		RATING CONDITION		EVAPORATOR		DISCHARGE AIR (TOP/Front**)	
		NSF 7	AHRI 1200	NSF 7	AHRI 1200	NSF 7	NSF 7
4', 6', 8', 12'	DELI / BAKERY	300 / 750	200 / 460	20	24	26 / 30	150~175 / 175~200
REAR STORAGE	DELI / BAKERY	110	90	20	26	29	600~700

CASE LENGTHS	EST. REFG. CHRG. (LBS)	20°F GLYCOL 6° RISE INLET TOP		20°F GLYCOL 6° RISE INLET FRONT		20° GLYCOL 6° RISE INLET OPTION REFRIGERATED REAR STORAGE	
		GPM	PSI	GPM	PSI	GPM	PSI
4'	1.2	0.4	0.7	1.1	2.7	0.2	0.1
6'	1.4	0.5	2.0	1.5	6.2	0.2	0.3
8'	1.8	0.7	3.7	2.0	2.9	0.3	0.5
12'	2.8	1.0	8.7	3.0	5.8	0.5	1.1

**FRONT DISCHARGE AIR MEASURED INSIDE AIR CURTAIN HONEYCOMB

***REFRIGERATION NOTES:

- 1) BTU'S INCLUDE 2 ROWS (1 TOP; 1 FRONT) CANOPY LED LIGHTS AND NO SHELF LIGHTS
- 2) ADD 10 BTU'S PER FOOT/PER SHELF FOR OPTIONAL TOP LED SHELF LIGHTS
- 3) AHRI 1200 RATING POINT FOR ENERGY CONSUMPTION COMPARISON ONLY
- 4) USE DEW POINT FOR HIGH GLIDE REFRIGERANTS. CARE SHOULD BE TAKEN TO USE THE DEW POINT IN P/T TABLES FOR MEASURING AND ADJUSTING SUPERHEAT. ADJUST EVAPORATOR PRESSURE AS NEEDED TO MAINTAIN THE DISCHARGE AIR TEMPERATURE SHOWN.
- 5) RATING CONDITION IS NSF TYPE I, 75°F/55% RH

REFRIGERATION DATA CONTINUED:

LOCATION	ELEC. THERMOSTAT / AIR SENSOR SETTINGS		DEFROST TYPE	TIME (MIN)	DEFROST PER DAY	TERM. TEMP (°F) AIR TEMP	DRIP TIME	DEFROST WATER (LBS/DA Y/FT)	FAN BLADE DIA.	FAN BLADE PITCH
	USAGE	CUT IN (°F)								
TOP	DELI / BAKERY	29	26	OFF TIME	40	4	NA	0.3	6.75"	10° (15° FOR 3' & 4')
FRONT	DELI / BAKERY	31	28							
REFRIGERATED REAR STORAGE	DELI / BAKERY	37	36							

END PANEL WIDTH KEY

# OF END PNLS	END PNL WIDTH (IN.)	TOTAL ADDED LENGTH (IN.)
1	1.125	1.125
2	1.125	2.25

ELECTRICAL DATA:

STANDARD FANS, HEATERS, LED LIGHTS (115 VOLT)

CASE LENGTH	TOTAL EVAPORATOR FANS			CANOPY LIGHTS LED TOP & FRONT		OPTIONAL LED SHELF LIGHTS (FRONT AND TOP)		OPTIONAL LED 2ND SHELF (TOP)		MAX. LED LOAD (W/ ALL OPTIONS)		ANTI-SWEAT HEATERS		REFRIGERATED REAR STORAGE (OPTIONAL) EVAP FANS			CONVENIENCE OUTLETS (OPTIONAL)		
	# OF EVAP FANS	AMPS	WATTS	AMPS	WATTS	AMPS	WATTS	AMPS	WATTS	AMPS	WATTS	AMPS	WATTS	# OF EVAP FANS	AMPS	WATTS	# OUTLETS	VOLTS	AMPS
4'	3	0.4	24	0.2	18	0.2	21	0.1	10	0.4	49	0.7	86	1	0.3	8.8	1	115	15
6'	6	0.7	48	0.2	21	0.3	31	0.1	15	0.6	67	1.1	131	1	0.3	8.8	1	115	15
8'	6	0.7	48	0.4	41	0.4	41	0.2	21	0.9	103	1.5	175	1	0.3	8.8	1	115	15
12'	6	0.7	48	0.5	62	0.5	62	0.3	31	1.3	154	2.3	264	1	0.3	8.8	2	115	30

OPTIONAL HIGH OUTPUT LED LIGHTS (115 VOLT)

CASE LENGTH	CANOPY LIGHTS H.O. LED TOP & FRONT		OPTIONAL SHELF (FRONT AND TOP)		OPTIONAL 2ND SHELF (TOP)		MAX. H.O. LED LOAD	
	AMPS	WATTS	AMPS	WATTS	AMPS	WATTS	AMPS	WATTS
4'	0.2	28	0.3	30	0.1	15	0.6	74
6'	0.2	28	0.5	52	0.2	26	0.9	106
8'	0.5	61	0.5	61	0.3	30	1.3	152
12'	0.8	91	0.8	91	0.4	46	2.0	228