

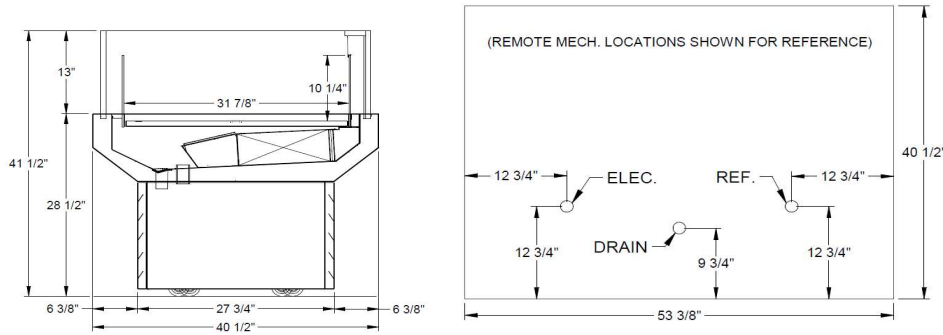


DELI SELF-SERVICE
HUSSMANN - SIM4AA (CHINO)



Hussmann refrigerated merchandisers configured for sale for use in the United States meet or surpass the requirements of the DOE 2017 energy efficiency standards.

REVISION DATE 05/03/2023



REFRIGERATION DATA:

CASE LENGTHS	CASE USAGE	CONVENTIONAL CAPACITY ** (BTU/HR/FT)	DISCHARGE AIR * (°F)	VELOCITY (FT/MIN)
4'	DELI/MEAT	900	21~28	150~200

SHIPPING WEIGHT

CASE LENGTH	NET WEIGHT (LBS)	WITH CRATINGV (LBS)
4'	440	560

*FRONT DISCHARGE AIR MEASURED INSIDE AIR CURTAIN HONEYCOMB

**REFRIGERATION NOTES:

- 1) CAPACITY FOR REFERENCE ONLY
- 2) RATING CONDITION IS NSF TYPE I, 75°F/55% RH

REFRIGERATION DATA CONTINUED:

ELEC. THERMOSTAT / AIR SENSOR SETTINGS			DEFROST TYPE	TIME (MIN)	DEFROST FREQUENCY (#/DAY)	TERM. TEMP (°F) COIL ONLY	DRIP TIME	DEFROST WATER (LBS/DAY/FT)
USAGE	SET POINT (°F)	DIFFERENTIAL (°F)						
DELI - Type 1	20	6	OFF TIME	25	6	48	N/A	N/A
MEAT - Type 1	18	12						
DELI - Type 2	16	12						
MEAT - Type 2	13	15						

ELECTRICAL DATA:

STANDARD FANS, HEATERS, LED LIGHTS (115 VOLT)

CASE LENGTH	EVAPORATOR FANS					CANOPY LIGHTS LED		OPTIONAL LED SHELF LIGHTS		MAX. LED LOAD (W/ ALL OPTIONS)		ANTI-SWEAT HEATERS	
	# OF EVAP FANS	BLADE DIA. (IN.)	BLADE PITCH (°)	AMPS	WATTS	AMPS	WATTS	AMPS	WATTS	AMPS	WATTS	AMPS	WATTS
4'	2	6.7	15	0.2	16	0.0	0	0.0	0	0.0	0	0.0	0

CONDENSING UNIT AND EVAPORATIVE PANS

CASE LENGTH	CONDENSING UNIT					EVAPORATIVE PAN			REFG CHR9 R290 (grams)	NEMA PLUG
	NOM. HP	REFRIG.	Hz/Ph	Volts	RLA	VOLTS	AMPS	WATTS		
4'	1/2	R-290	60/1	115	9.3	N/A	N/A	N/A	150	5-15P, (optional) L5-15P

OPTIONAL HIGH OUTPUT LED LIGHTS (115 VOLT)

CASE LENGTH	CANOPY LIGHTS H.O. LED		OPTIONAL SHELF		MAX. H.O. LED LOAD	
	AMPS	WATTS	AMPS	WATTS	AMPS	WATTS
4'	N/A	N/A	N/A	N/A	N/A	N/A