



DELI SELF-SERVICE

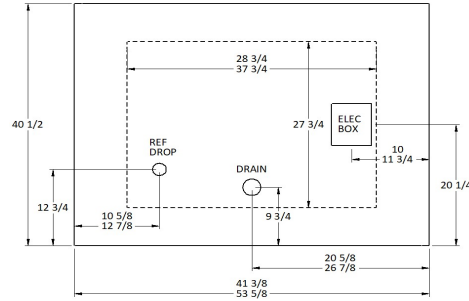
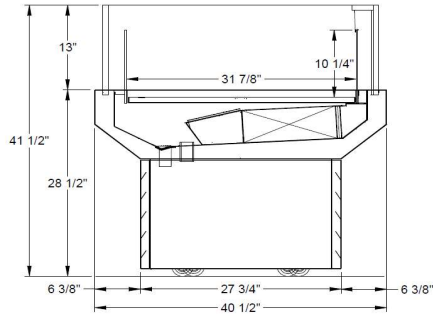
HUSSMANN - SIMAA (CHINO)



Hussmann refrigerated merchandisers configured for sale for use in the United States meet or surpass the requirements of the DOE 2017 energy efficiency standards.

REVISION DATE 1/05/2024

**SIM3AA
SIM4AA**



REFRIGERATION DATA:

CASE LENGTHS	CASE USAGE	CONVENTIONAL CAPACITY ** (BTU/HR/FT)	DISCHARGE AIR * (°F)	VELOCITY (FT/MIN)
3'	DELI/MEAT	750	21~28	110 - 165
4'	DELI/MEAT	700	21~28	150 - 200

SHIPPING WEIGHT

CASE LENGTH	NET WEIGHT (LBS)	WITH CRATING (LBS)
3'	350	460
4'	440	560

*FRONT DISCHARGE AIR MEASURED INSIDE AIR CURTAIN HONEYCOMB

**REFRIGERATION NOTES:

- 1) CAPACITY FOR REFERENCE ONLY
- 2) RATING CONDITION IS NSF TYPE I, 75°F/55% RH

REFRIGERATION DATA CONTINUED:

ELEC. THERMOSTAT / AIR SENSOR SETTINGS			DEFROST TYPE	TIME (MIN)	DEFROST FREQUENCY (#/DAY)	TERM. TEMP (°F) COIL ONLY	DRIP TIME	DEFROST WATER (LBS/DAY/FT)
USAGE	SET POINT (°F)	DIFFERENTIAL (°F)						
3' DELI - Type 1	18	12	OFF TIME	35	6	48	N/A	N/A
3' MEAT - Type 1	16	12						
3' DELI - Type 2	16	12						
3' MEAT - Type 2	13	15	OFF TIME	25	6	48	N/A	N/A
4' DELI - Type 1	20	6						
4' MEAT - Type 1	18	12						
4' DELI - Type 2	16	12						
4' MEAT - Type 2	13	15						

ELECTRICAL DATA:

STANDARD FANS, HEATERS, LED LIGHTS (115 VOLT)

CASE LENGTH	EVAPORATOR FANS					OPTIONAL PERIMETER LED LIGHTS		ANTI-SWEAT HEATERS	
	# OF EVAP FANS	BLADE DIA. (IN.)	BLADE PITCH (°) / RPM	AMPS	WATTS	AMPS	WATTS	AMPS	WATTS
3'	1	7	28 / 1450	0.2	15	0.20	24	NA	NA
4'	2	7	28 / 1100	0.4	30	0.24	29	NA	NA

CONDENSING UNIT AND EVAPORATIVE PANS

CASE LENGTH	CONDENSING UNIT					EVAPORATIVE PAN			REFG CHR9 R290 (grams)	NEMA PLUG
	NOM. HP	REFRIG.	Hz/Ph	Volts	RLA	VOLTS	AMPS	WATTS		
3'	1/3	R-290	60/1	115	5.1	N/A	N/A	N/A	150	5-15P, (optional) L5-15P
4'	1/2	R-290	60/1	115	6.7	N/A	N/A	N/A	150	5-15P, (optional) L5-15P