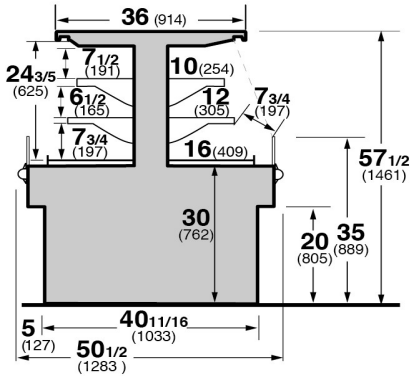


Hussmann refrigerated merchandisers configured for sale for use in the United States meet or surpass the requirements of the DOE 2017 energy efficiency standards.

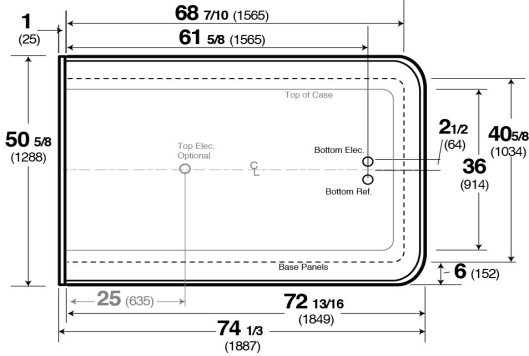
**TY3ECRC-4X6E-S**  
**TYA3ECRC-4X6E-S**

4'w x 6'L Flat End Self-Contained Merchandiser



**TY3ECRC-4X6E-S**  
**TYA3ECRC-4X6E-S**

4'w x 6'L Flat End Self-Contained Merchandiser



**REFRIGERATION DATA:**

CASE LENGTHS	CASE USAGE	CONVENTIONAL CAPACITY ** (BTU/HR/FT)	AVERAGE DISCHARGE AIR* (°F) (SEE SETPOINTS BELOW)	VELOCITY (FT/MIN)
6E	SS DELI	2100	32~36	125~175

\*FRONT DISCHARGE AIR MEASURED INSIDE AIR CURTAIN HONEYCOMB

\*\*REFRIGERATION NOTES:

- 1) CAPACITY FOR REFERENCE ONLY.
- 2) USE DEW POINT FOR HIGH GLIDE REFRIGERANTS. CARE SHOULD BE TAKEN TO USE THE DEW POINT IN P/T TABLES FOR MEASURING AND ADJUSTING SUPERHEAT. ADJUST EVAPORATOR PRESSURE AS NEEDED TO MAINTAIN THE DISCHARGE AIR TEMPERATURE SHOWN.
- 3) RATING CONDITION IS NSF TYPE II, 80°F/55% RH

**REFRIGERATION DATA CONTINUED:**

CONTROLLER / AIR SENSOR SETTINGS			DEFROST TYPE	FAILSAFE TIME (MIN)	DEFROST FREQUENCY (#/DAY)	TERM. TEMP (°F) AIR	DRIP TIME (MIN)	DEFROST WATER (LBS/DAY /FT)
USAGE	SET POINT (°F)	DIFFERENTIAL (°F)						
TYPE 1	24	8	OFF TIME	50	6	52	NA	NA
TYPE 2	23	8	OFF TIME	50	6	52	NA	NA

END PANEL WIDTH KEY		
# OF END PNLS	END PNL WIDTH (IN.)	TOTAL ADDED LENGTH (IN.)
1	1.125	1.125

4) DEFROST IS BASED ON TERMINATION TEMP, WHICH UNDER NORMAL CIRCUMSTANCES, IS SHORTER THAN FAILSAFE TIME.

**ELECTRICAL DATA:**

**STANDARD FANS, HEATERS, LED LIGHTS (115 VOLT)**

CASE LENGTH	EVAPORATOR FANS					CANOPY LIGHTS LED		OPTIONAL LED SHELF LIGHTS		MAX. LED LOAD (W/ ALL OPTIONS)		ANTI-SWEAT HEATERS		CONVENIENCE OUTLETS (OPTIONAL)		
	# OF EVAP FANS	BLADE DIA. (IN.)	BLADE PITCH (°)	AMPS	WATTS	AMPS	WATTS	AMPS	WATTS	AMPS	WATTS	AMPS	WATTS	# OUTLETS	VOLTS	AMPS
6E	6	8	15	1.8	48	0.8	87	0.4	50	1.2	137	0.7	80	1	115	15

**CONDENSING UNIT AND EVAPORATIVE PANS**

CASE LENGTH	CONDENSING UNIT					EVAPORATIVE PAN			EST. REFG. CHR.G. (LBS)
	NOM. HP	REFRIG.	Hz/Ph	Volts	RLA	VOLTS	AMPS	WATTS	
6E	2	R-448A	60 / 1	240	19.0	208	7.2	1500	5.2

**OPTIONAL HIGH OUTPUT LED LIGHTS (115 VOLT)**

CASE LENGTH	CANOPY LIGHTS H.O. LED		OPTIONAL SHELF		MAX. H.O. LED LOAD	
	AMPS	WATTS	AMPS	WATTS	AMPS	WATTS
6E	N/A	N/A	N/A	N/A	N/A	N/A