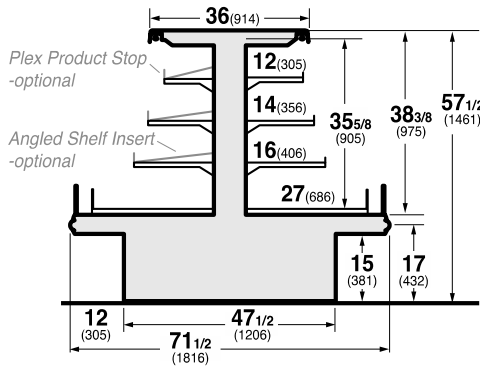
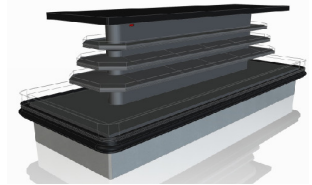




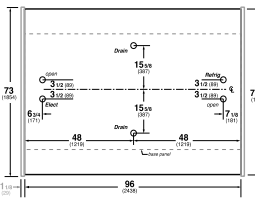
DELI SELF-SERVICE
HUSSMANN - TY4ECRC-6 I-ISLAND E-END C-CENTER (CHINO)



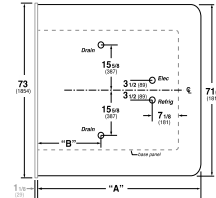
Hussmann refrigerated merchandisers configured for sale for use in the United States meet or surpass the requirements of the DOE 2017 energy efficiency standards.



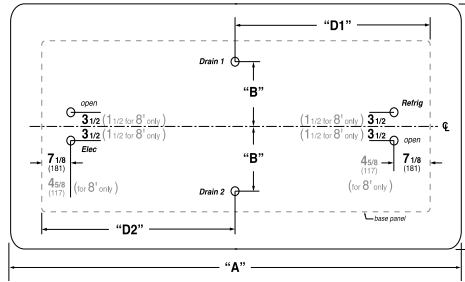
TY4ECRC-6X8C - Center



TY4ECRC-6E - Flat End



TY4ECRC-6I - Island



"A"	96	120	144
"B"	37	49	72

"A"	96	120	144	168	192
"B"	12 1/2	12 1/2	15 5/8	15 5/8	15 5/8
"D1"	N/A	N/A	71 3/4	71 3/4	95 3/4
"D2"	66 7/8	88 3/8	47 3/4	71 3/4	71 3/4

REFRIGERATION DATA:

CASE LENGTHS	CASE USAGE	CAPACITY *** (BTU/HR/FT)		TEMPERATURE (°F)			VELOCITY (FT/MIN)
		RATING CONDITION		EVAPORATOR		DISCHARGE AIR ** (°F)	
		NSF 7	AHRI 1200	NSF 7	AHRI 1200	NSF 7	
8I, 10I, 12I, 14I, 16I, 18I	DELI	2200	2050	20	26	30~32	125~175
8E, 10E, 12E	DELI	2480	2050	20	29	34~38	100~200
8C	DELI	1700	1700	24	24	32~36	100~200

CASE LENGTHS	EST. REFG. CHR.G. (LBS) 404a	20°F GLYCOL 6° RISE	
		GPM	PSI
8I	1.1	5.8	8.4
10I	1.3	7.2	5.8
12I	1.8	8.5	7.7
14I	2.2	9.7	9.9
16I	2.3	11.0	7.0
18I	2.7	12.2	7.9
8E	1.3	5.8	4.6
10E	1.8	7.2	6.4
12E	2.2	8.5	8.4
8C	1.3	4.8	3.7

**FRONT DISCHARGE AIR MEASURED INSIDE AIR CURTAIN HONEYCOMB

***REFRIGERATION NOTES:

- 1) BTU'S INCLUDE LIGHTS
- 2) AHRI 1200 RATING POINT FOR ENERGY CONSUMPTION COMPARISON ONLY
- 3) USE DEW POINT FOR HIGH GLIDE REFRIGERANTS. CARE SHOULD BE TAKEN TO USE THE DEW POINT IN P/T TABLES FOR MEASURING AND ADJUSTING SUPERHEAT. ADJUST EVAPORATOR PRESSURE AS NEEDED TO MAINTAIN THE DISCHARGE AIR TEMPERATURE SHOWN.
- 4) RATING CONDITION IS NSF TYPE I, 75°F/55% RH

REFRIGERATION DATA CONTINUED:

ELEC. THERMOSTAT / AIR SENSOR SETTINGS			DEFROST TYPE	TIME (MIN)	DEFROST FREQUENCY (#/DAY)	TERM. TEMP (°F) COIL ONLY	DRIP TIME	DEFROST WATER (LBS/DAY/FT)
USAGE	CUT IN (°F)	CUT OUT (°F)						
DELI	32	29	OFF TIME	20	12	50	N/A	10.2

END PANEL WIDTH KEY		
# OF END PNLS	END PNL WIDTH (IN.)	TOTAL ADDED LENGTH (IN.)
1	1.125	1.125

ELECTRICAL DATA:

STANDARD FANS, HEATERS, LED LIGHTS (115 VOLT)

CASE LENGTH	EVAPORATOR FANS					CANOPY LIGHTS LED		OPTIONAL LED SHELF LIGHTS		MAX. LED LOAD (W/ ALL OPTIONS)		ANTI-SWEAT HEATERS		CONVENIENCE OUTLETS (OPTIONAL)		
	# OF EVAP FANS	BLADE DIA. (IN.)	BLADE PITCH (°)	AMPS	WATTS	AMPS	WATTS	AMPS	WATTS	AMPS	WATTS	AMPS	WATTS	# OUTLETS	VOLTS	AMPS
8I	6	8	20	1.8	48	0.8	92	0.6	69	1.4	162	0.5	60	1	115	15
10I	8	8	20	2.4	64	0.9	106	0.9	102	1.8	208	0.7	80	1	115	15
12I	10	8	20	3.0	80	1.3	146	1.2	142	2.5	288	0.9	100	1	115	15
14I	12	8	15	3.6	96	1.3	146	1.3	151	2.6	297	1.0	120	1	115	15
16I	14	8	15	4.2	112	1.3	146	1.7	196	3.0	342	1.2	140	1	115	15
18I	16	8	15	4.8	128	1.3	146	1.9	223	3.2	369	1.4	160	1	115	15
8E	8	8	20	2.4	144	0.8	97	0.8	94	1.7	190	0.6	70	1	115	15
10E	8	8	20	2.4	144	1.1	127	1.1	126	2.2	253	0.8	90	1	115	15
12E	10	8	20	3.0	180	1.3	155	1.4	158	2.7	313	1.0	110	1	115	15
8C	8	8	20	2.4	64	0.9	108	1.1	124	2.0	231	0.7	80	1	115	15

OPTIONAL HIGH OUTPUT LED LIGHTS (115 VOLT)

CASE LENGTH	CANOPY LIGHTS H.O. LED		OPTIONAL SHELF		MAX. H.O. LED LOAD	
	AMPS	WATTS	AMPS	WATTS	AMPS	WATTS
8I	N/A	N/A	N/A	N/A	N/A	N/A
10I	N/A	N/A	N/A	N/A	N/A	N/A
12I	N/A	N/A	N/A	N/A	N/A	N/A
14I	N/A	N/A	N/A	N/A	N/A	N/A
16I	N/A	N/A	N/A	N/A	N/A	N/A
18I	N/A	N/A	N/A	N/A	N/A	N/A
8E	N/A	N/A	N/A	N/A	N/A	N/A
10E	N/A	N/A	N/A	N/A	N/A	N/A
12E	N/A	N/A	N/A	N/A	N/A	N/A
8C	N/A	N/A	N/A	N/A	N/A	N/A