

Installation Instruction

Merchandiser Wedges

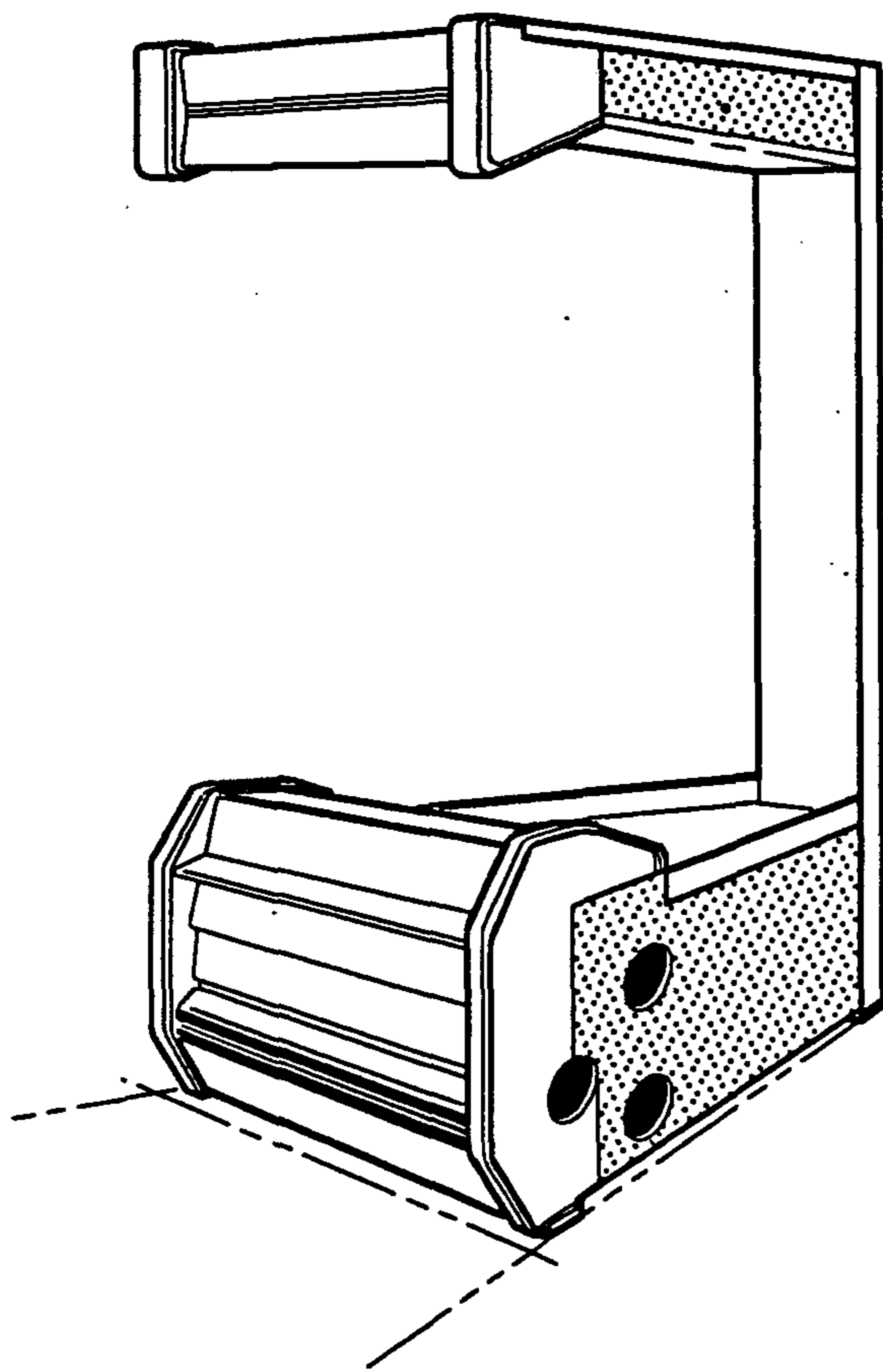


Figure 1. Outside Wedge

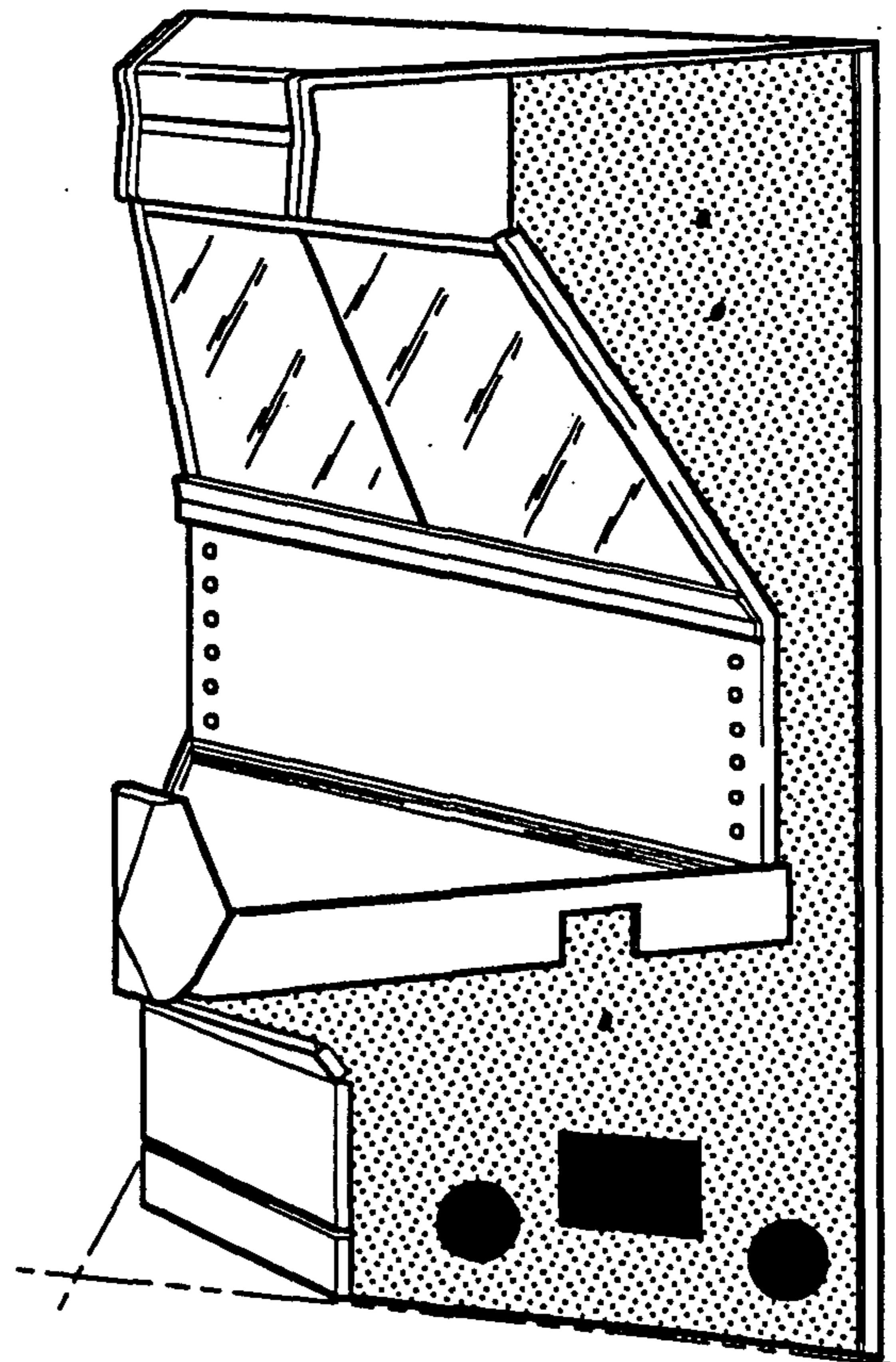


Figure 2. Inside Wedge

PROCEDURE FOR CALCULATING SPACE REQUIRED

The following steps are required for inside, outside and offset wedge displays. See Figures 3, 4 and 5.

STEP 1. Obtain the width of the merchandisers that will join the wedge. This is usually the dimension from the rear wall of the merchandiser to the front bumper.

STEP 2. Mark a line (A) to represent the location of the end of the first merchandiser to be joined to the wedge on the store floor. Mark a parallel line (B) $\frac{1}{4}$ " away from line (A).

STEP 3. Mark a point (C) on line (B) $\frac{1}{2}$ " beyond the front line of the merchandiser.

STEP 4. From this point (C), mark a line (D) matching the angle (45° , 90° , etc.) of the wedge involved.

STEP 5. Mark a parallel line (E) $\frac{1}{4}$ " away from line (D).

STEP 6. Line (E) marks the end of the second merchandiser to be joined to the wedge.

While this example is based on in-store layout on the store floor, the information is sufficient for calculating the actual space required if so desired.

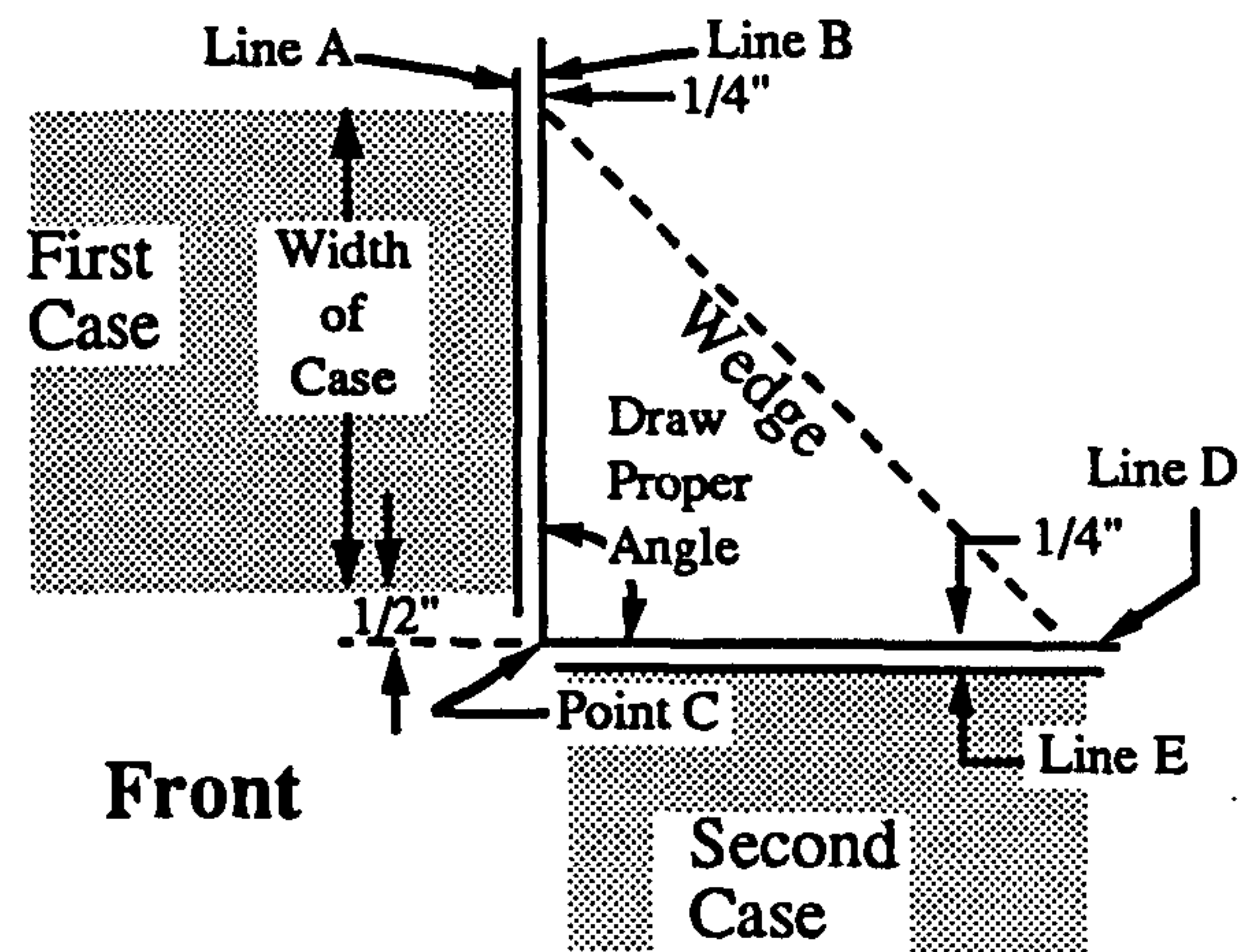


Figure 3. Plan for Inside Wedge

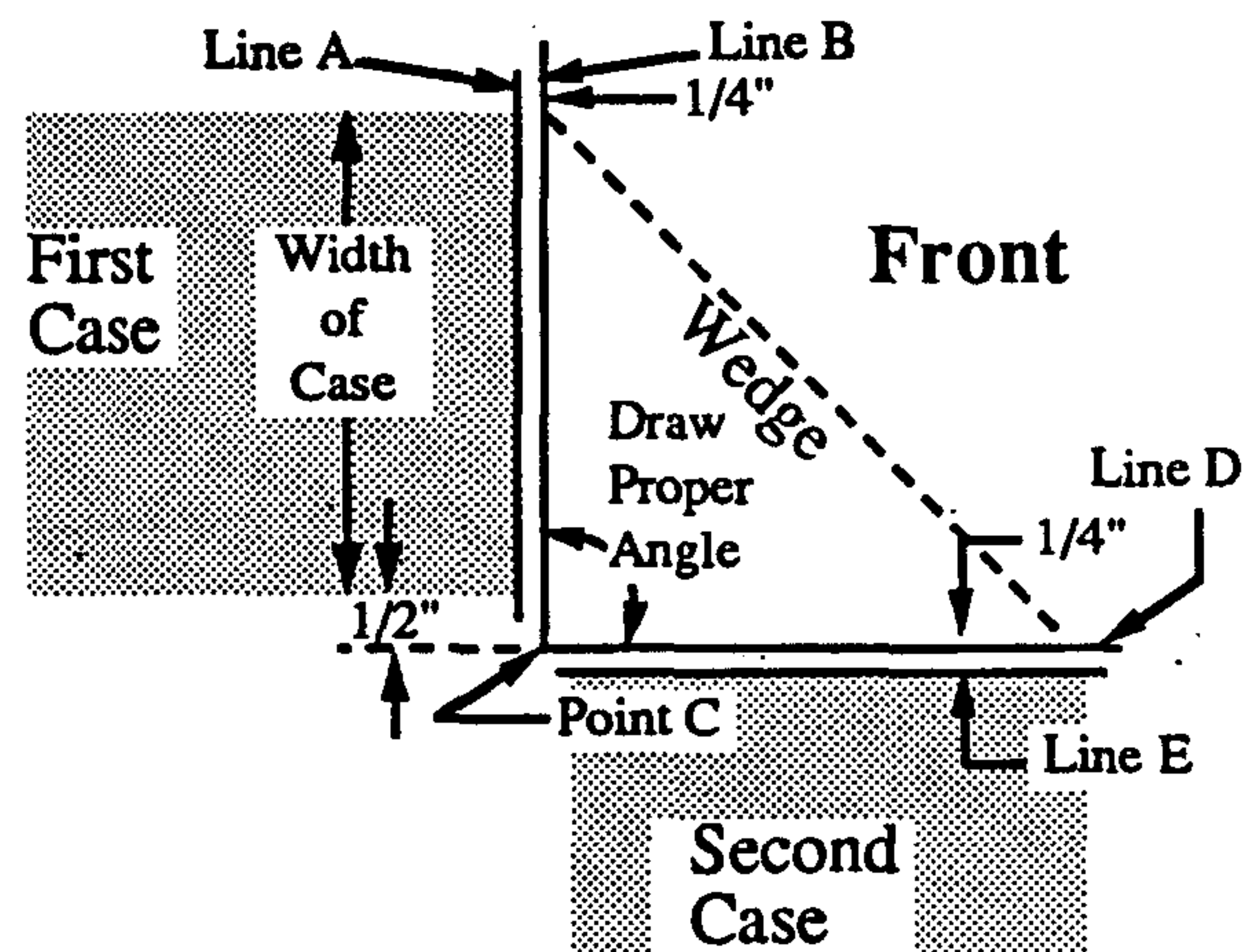


Figure 4. Plan for Outside Wedge

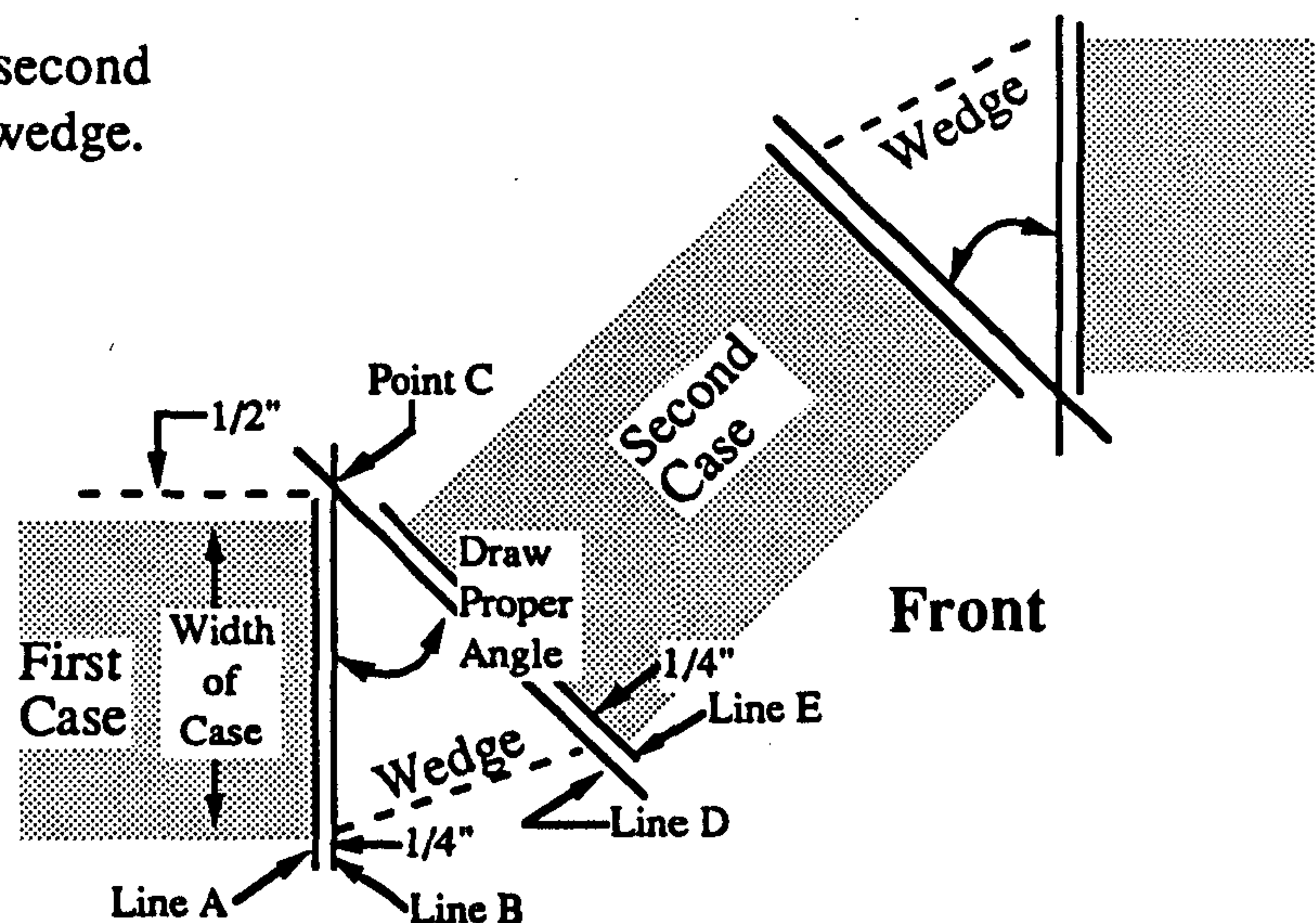


Figure 5. Plan for Offset Display